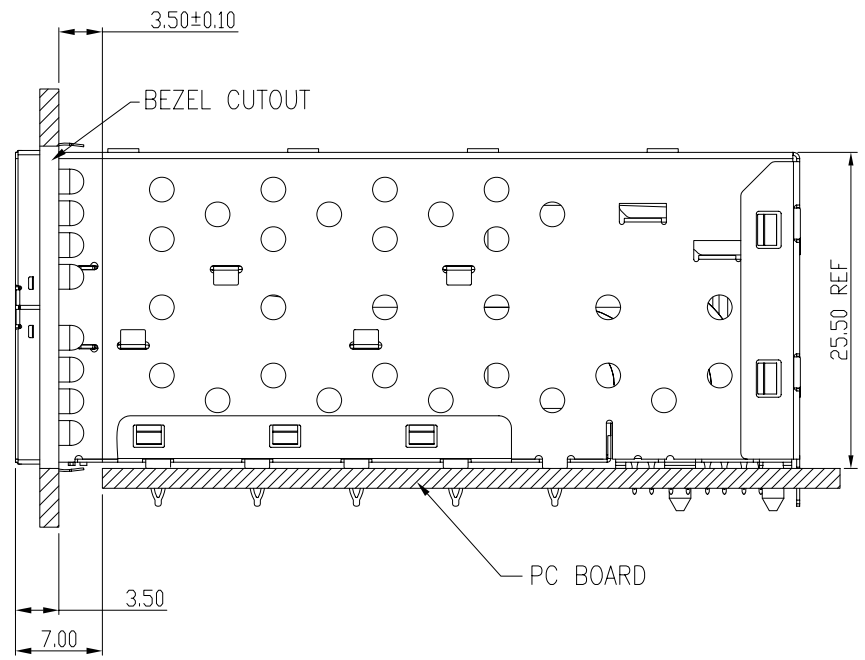
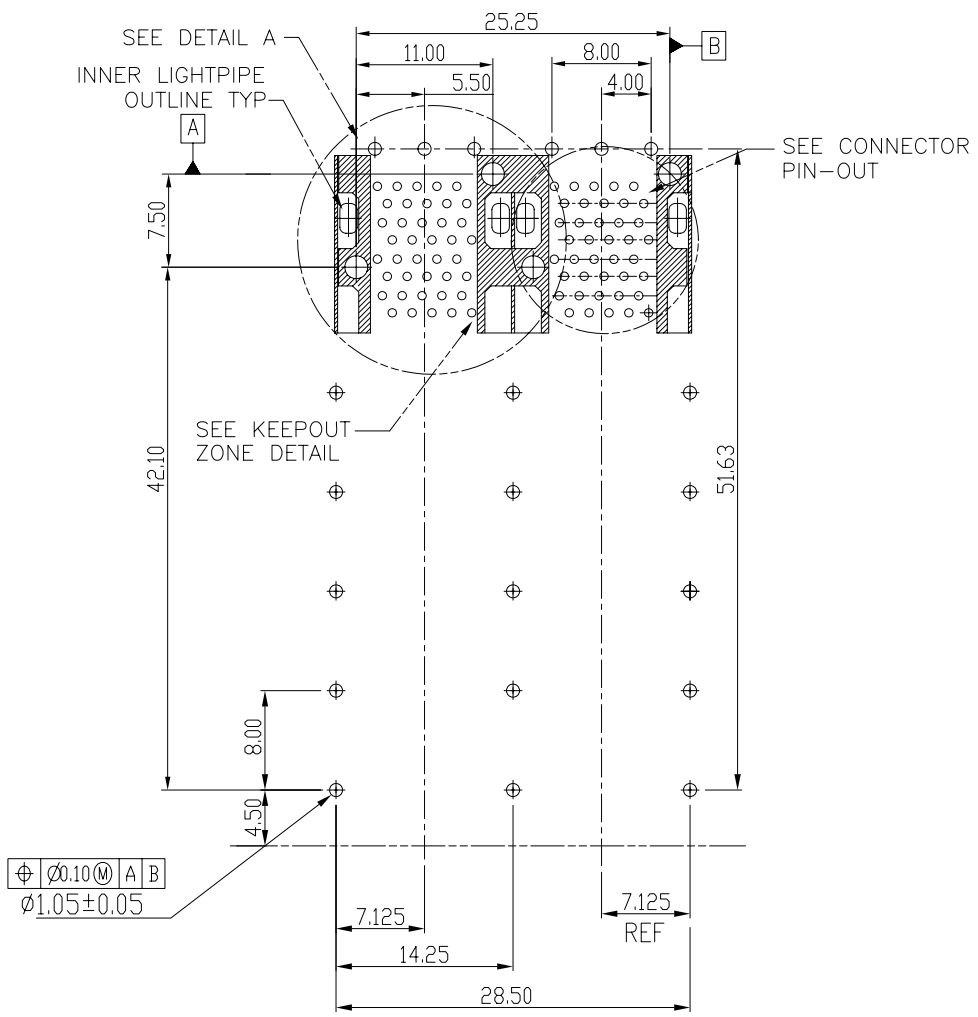
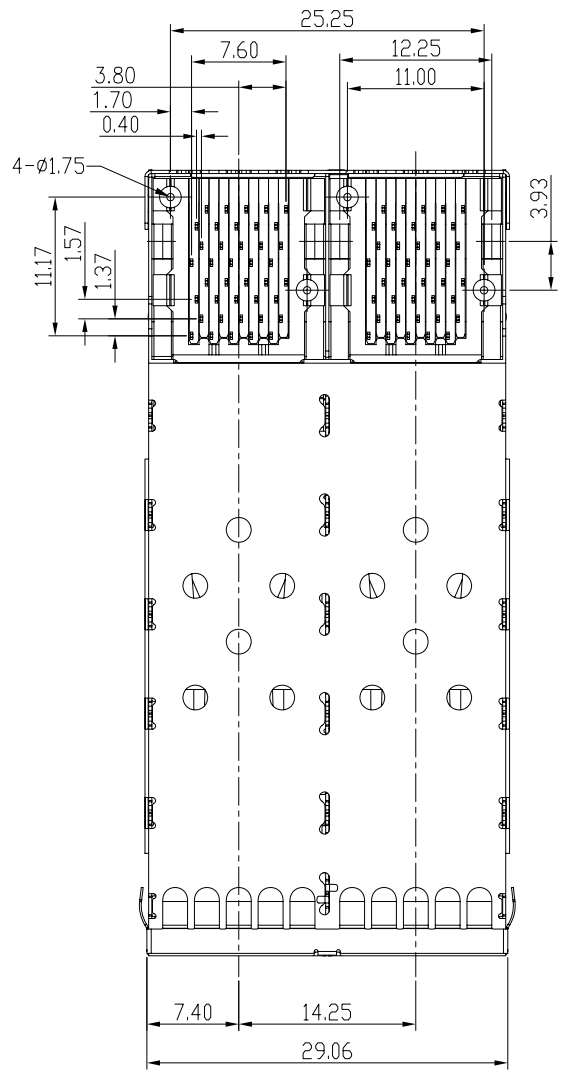


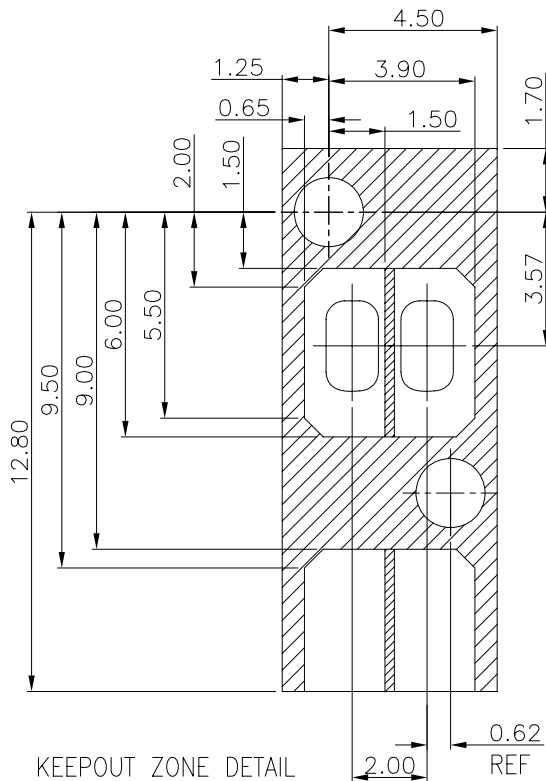
BEZEL CUT-OUT CENTER SPACING DETAIL  
 BEZEL THICKNESS:0.8-2.6



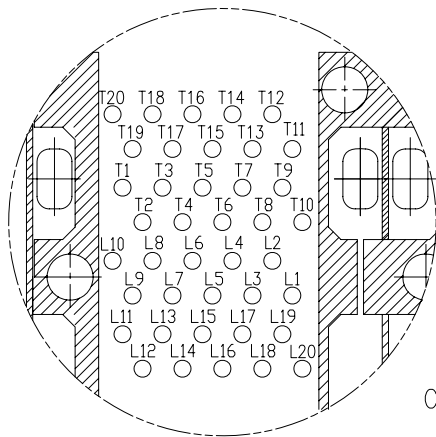
DETACHED LISTS	MM (INCH)	<b>RoHS Compliant</b>				
	TOLERANCES EXCEPT AS NOTED		TITLE SFP 2 BY 2 CAGE+CONNECTOR_P W/LIGHT PIPES&EMI TAB			
	MM					
	.0 ± 0.25	±				
.00 ± 0.2	±	DRAWING NO. CSFPP-3131-L		SIZE	REV	
.000 ± 0.10	±	DATE 6/09/09'		A3	0	
ANGLES ± 0.5		SCALE : 2:1		DO NOT SCALE DRAWING		
 THIRD ANGLE PROJECTION		DRAWING NO. CSFPP-3131-L		SHEET 2 OF 4		
		DATE 6/09/09'		/PART NO. SFPP-3131-L		



MM (INCH)		<b>RoHS Compliant</b>			
TOLERANCES EXCEPT AS NOTED		TITLE SFP 2 BY 2 CAGE+CONNECTOR_P			
DETACHED LISTS MM .0 ± 0.25 .00 ± 0.2 .000 ± 0.10 ANGLES ± 0.5		W/LIGHT PIPES&EMI TAB		SIZE A3	REV 0
 THIRD ANGLE PROJECTION		DFTD Jack DATE 6/09/09	DRAWING NO. CSFPP-3131-L /PART NO. SFPP-3131-L	DO NOT SCALE DRAWING	SHEET 3 OF 4

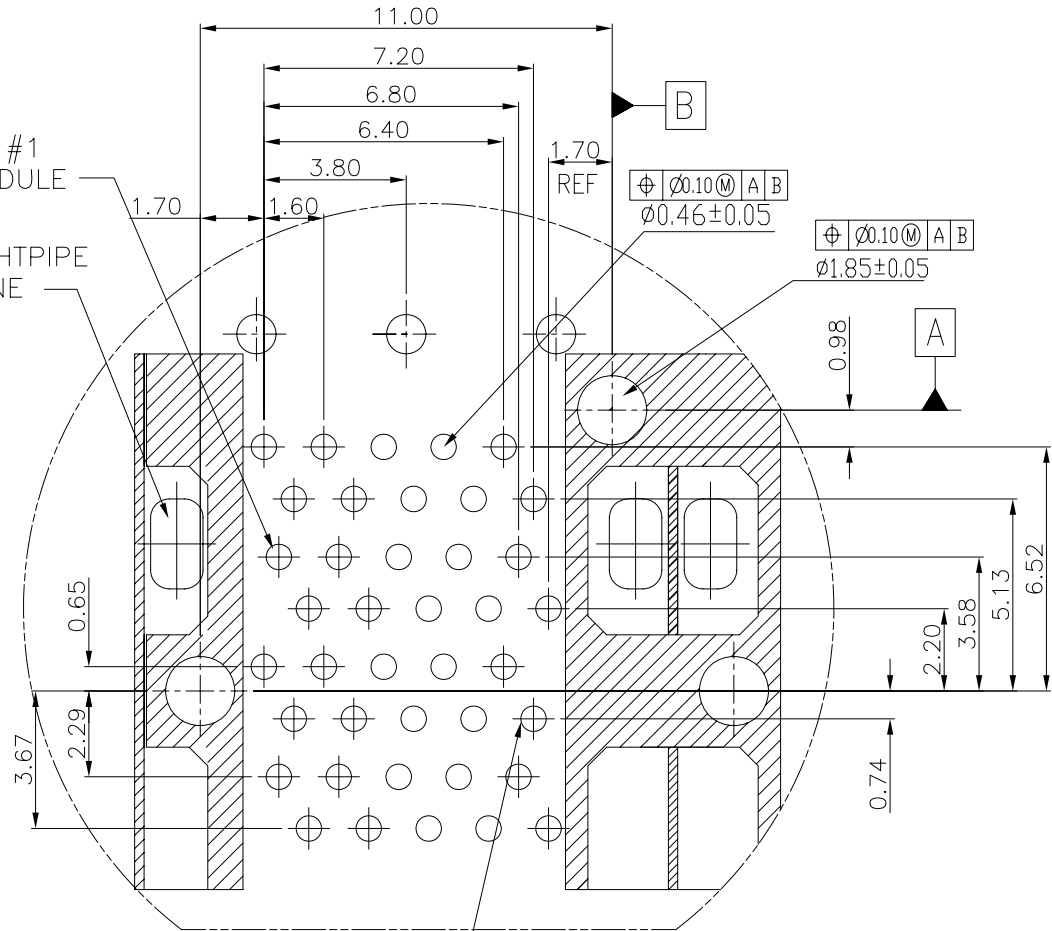


KEEPOUT ZONE DETAIL  
SCALE 6:1



CONNECTOR PIN-OUT  
COMPONENT SIDE OF BOARD

CIRCUIT #1  
TOP MODULE  
INNER LIGHTPIPE  
OUTLINE



CIRCUIT #1  
BOTTOM MODULE

DETAIL A  
SCALE 6:1

← MM (INCH) → TOLERANCES EXCEPT AS NOTED		<b>RoHS Compliant</b>			
DETACHED LISTS MM .0 ± 0.25 ± .00 ± 0.2 ± .000 ± 0.10 ± ANGLES ± 0.5		TITLE SFP 2 BY 2 CAGE+CONNECTOR_P		W/LIGHT PIPES&EMI TAB	
THIRD ANGLE PROJECTION		DFTD Jack DATE 6/09/09*		DRAWING NO. CSFPP-3131-L /PART NO. SFPP-3131-L	
SCALE : 2:1		DO NOT SCALE DRAWING		SIZE A3	REV 0
				SHEET 4 OF 4	

8

7

6

5

4

3

2

1

H  
G  
F  
E  
D  
C  
B  
A