



## Main

Range of Product	Harmony Electromechanical Relays
Product or Component Type	Socket
Contact terminal arrangement	Mixed
Product compatibility	Plug-in relay RPM 3 C/O
Shape of pin	Flat
Device short name	RPZ
Sale per indivisible quantity	10

## Complementary

[I <sub>th</sub> ] conventional free air thermal current	16 A
[U <sub>e</sub> ] rated operational voltage	< 250 V
Tightening torque	< 1 N.m M3.5
Fixing mode	By screw panel) Clip-on 35 mm symmetrical DIN rail)
Marking	CE
Width	1.57 in (40 mm)
Net Weight	0.16 lb(US) (0.072 kg)

## Environment

Connections - terminals	- screw clamp terminals, flexible with cable end 1 x 0.5...1 x 2.5 mm <sup>2</sup> / AWG 20...AWG 14 - screw clamp terminals, solid without cable end 1 x 0.5...1 x 1.5 mm <sup>2</sup> / AWG 20...AWG 16 - screw clamp terminals, flexible with cable end 2 x 0.5...2 x 2.5 mm <sup>2</sup> / AWG 20...AWG 14 - screw clamp terminals, solid without cable end 2 x 0.5...2 x 1.5 mm <sup>2</sup> / AWG 20...AWG 16
Standards	IEC 61984
Product Certifications	CSA UL
Ambient Air Temperature for Storage	-40...185 °F (-40...85 °C)
Ambient air temperature for operation	-40...131 °F (-40...55 °C)
IP degree of protection	IP20 conforming to EN/IEC 60529
Dielectric strength	2500 V

## Ordering and shipping details

Category	21128 - ZELIO ICE CUBE RELAY ACCESSORIES
Discount Schedule	CP2
GTIN	3389119402309
Nbr. of units in pkg.	1
Package weight(Lbs)	2.72 oz (77 g)
Returnability	Yes
Country of origin	TW

## Packing Units

Unit Type of Package 1	PCE
Package 1 Height	1.18 in (3 cm)
Package 1 width	1.57 in (4 cm)
Package 1 Length	3.35 in (8.5 cm)
Unit Type of Package 2	BB1
Number of Units in Package 2	10
Package 2 Weight	27.16 oz (770 g)
Package 2 Height	2.48 in (6.3 cm)
Package 2 width	4.72 in (12 cm)
Package 2 Length	7.95 in (20.2 cm)
Unit Type of Package 3	S03
Number of Units in Package 3	150
Package 3 Weight	27.45 lb(US) (12.45 kg)
Package 3 Height	11.81 in (30 cm)
Package 3 width	11.81 in (30 cm)
Package 3 Length	15.75 in (40 cm)

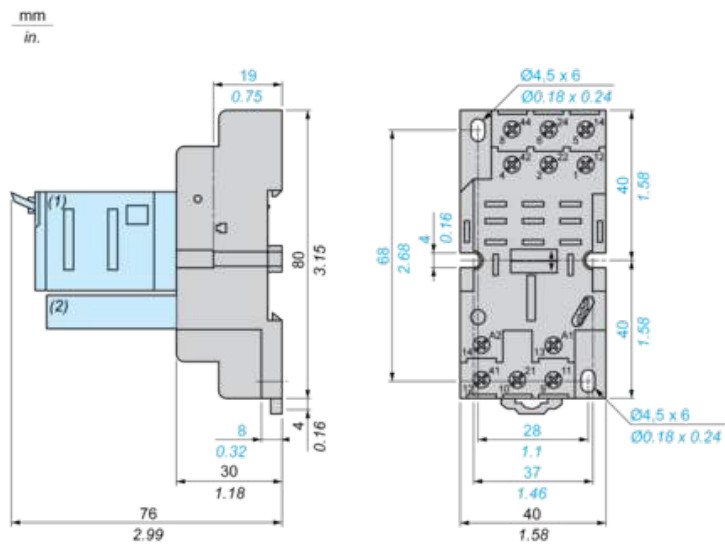
## Offer Sustainability

Sustainable offer status	Green Premium product
California proposition 65	WARNING: This product can expose you to chemicals including: Nickel compounds, which is known to the State of California to cause cancer, and Di-isodecyl phthalate (DIDP), which is known to the State of California to cause birth defects or other reproductive harm. For more information go to <a href="http://www.P65Warnings.ca.gov">www.P65Warnings.ca.gov</a>
REACH Regulation	<a href="#">REACH Declaration</a>
REACH free of SVHC	Yes
EU RoHS Directive	Pro-active compliance (Product out of EU RoHS legal scope) <a href="#">EU RoHS Declaration</a>
Toxic heavy metal free	Yes
Mercury free	Yes
RoHS exemption information	<a href="#">Yes</a>
China RoHS Regulation	<a href="#">China RoHS Declaration</a>
Environmental Disclosure	<a href="#">Product Environmental Profile</a>
WEEE	The product must be disposed on European Union markets following specific waste collection and never end up in rubbish bins.

## Contractual warranty

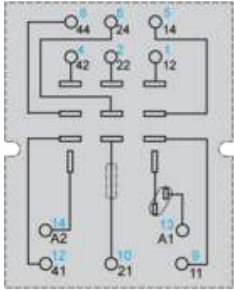
Warranty	18 months
----------	-----------

Dimensions



- (1) Relays
- (2) Protection module
- (3) Maintaining clamp

## Wiring Diagram



Symbols shown in blue correspond to Nema marking.