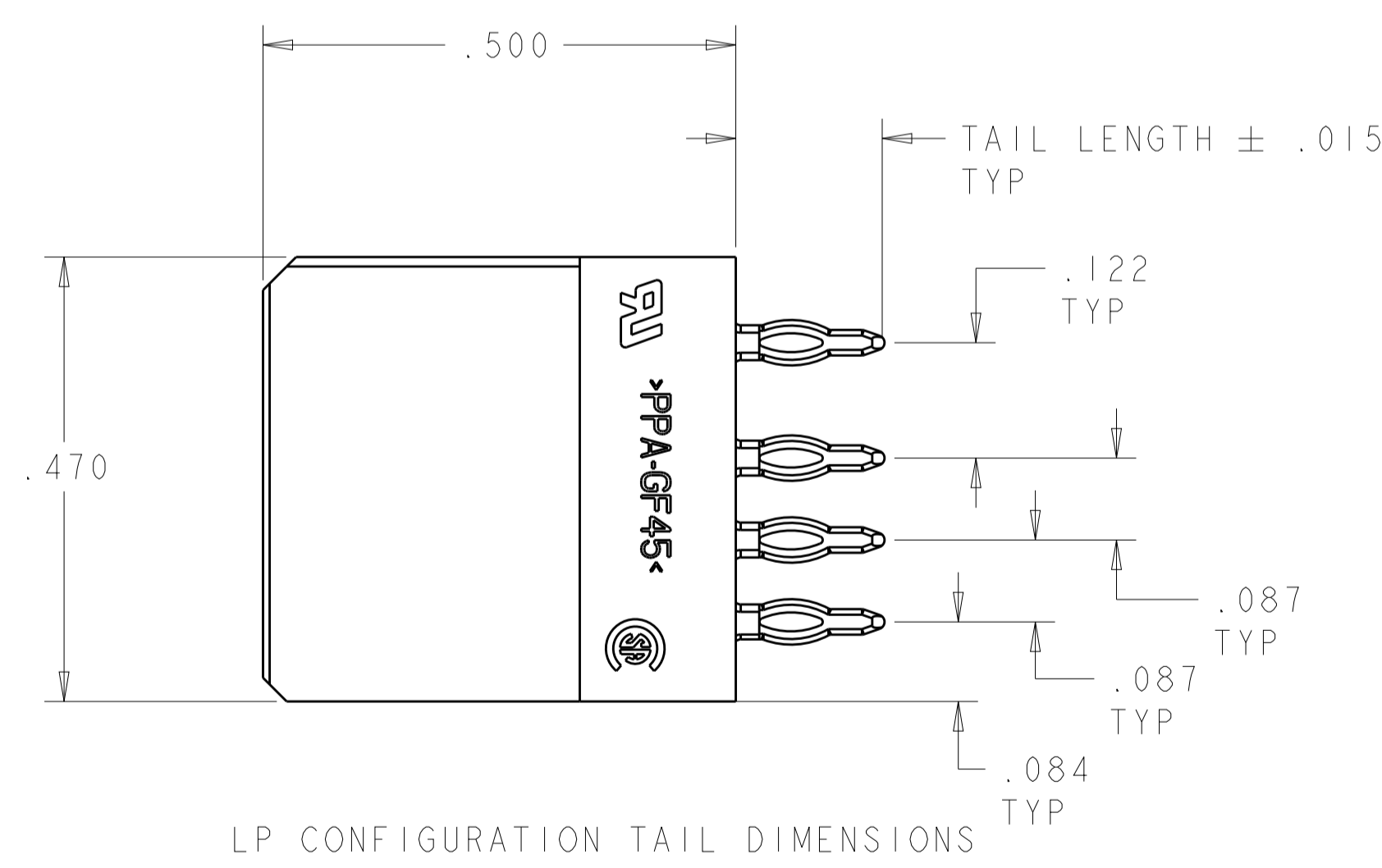
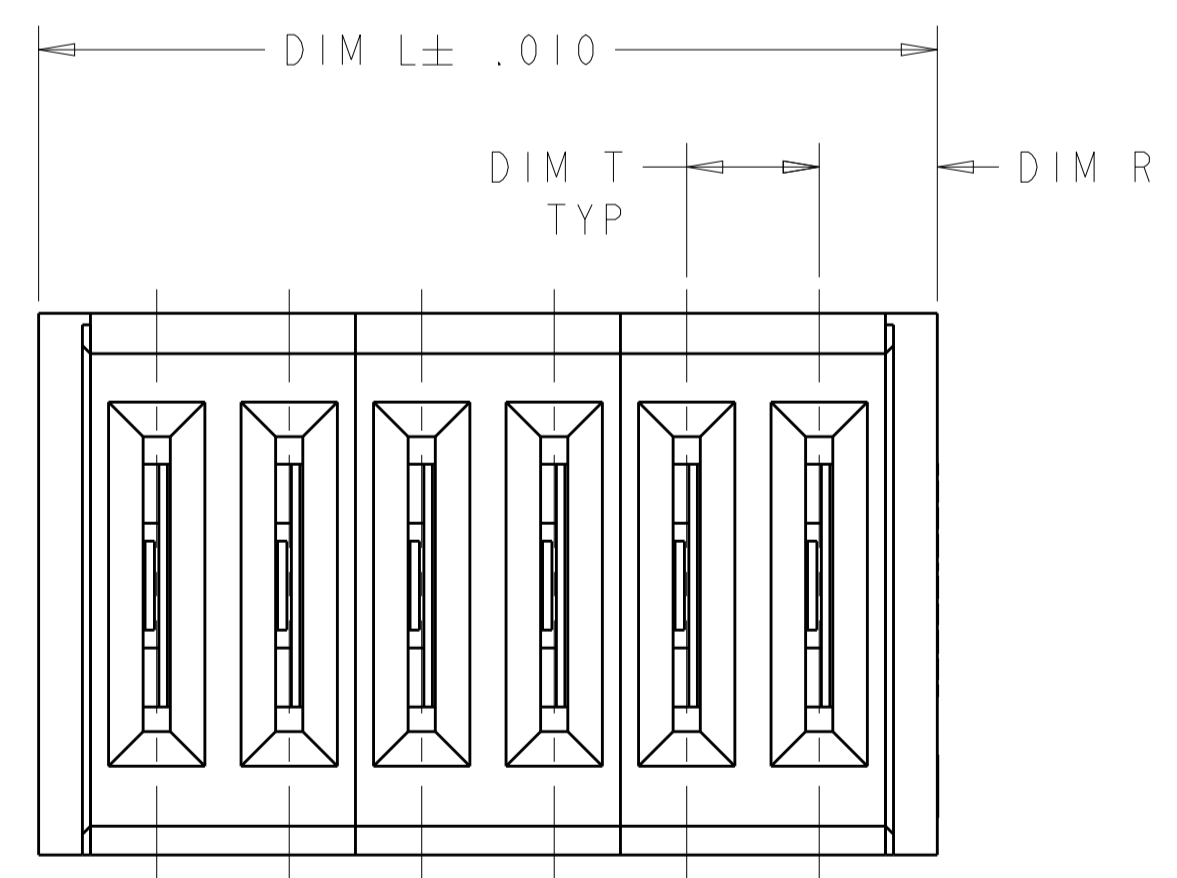
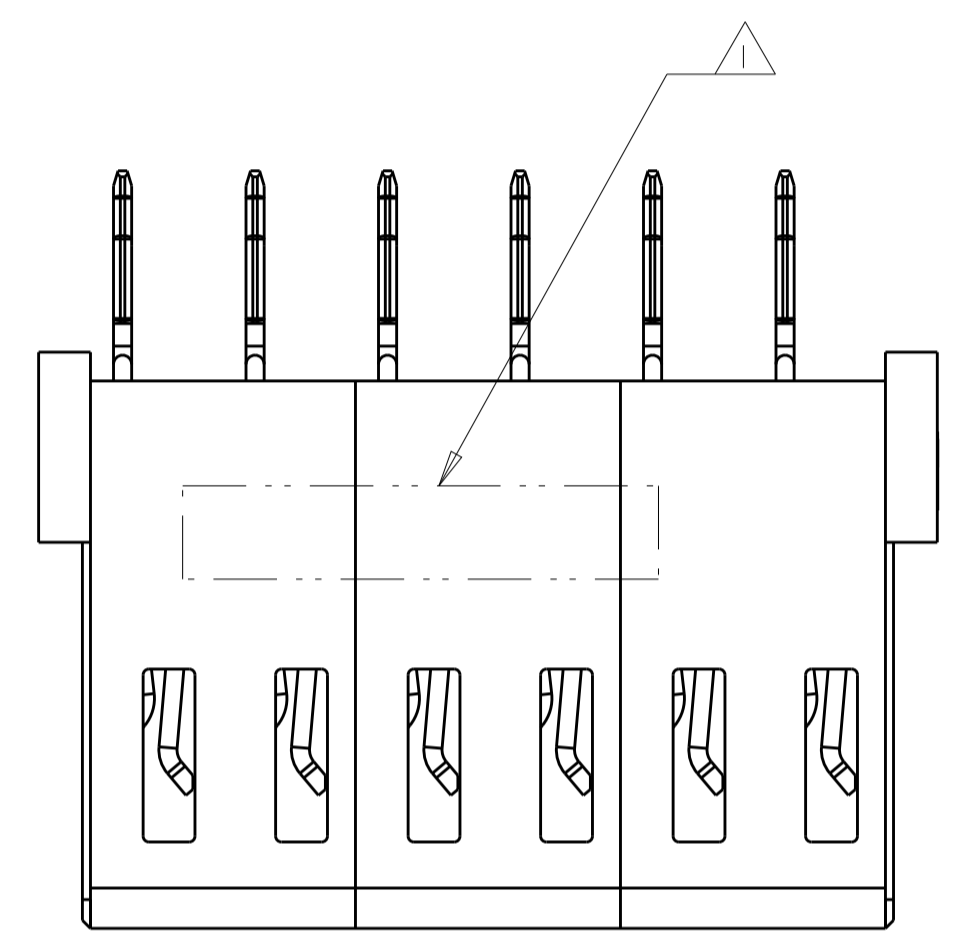
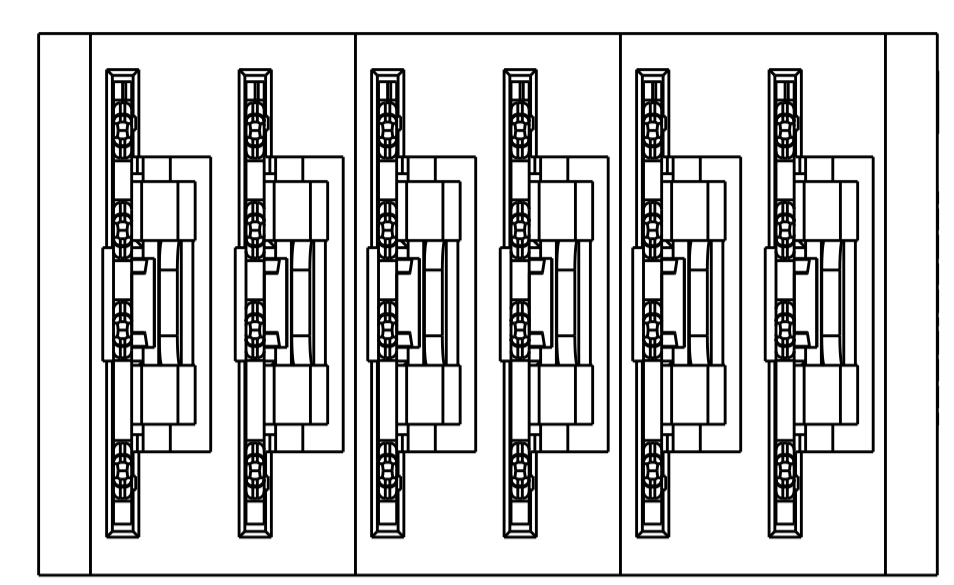


LOC	DIST	REVISIONS			
		REV	DATE	BY	CHK
ES	00				
		D7	20MAY2013	CZ	SZ
		E	21FEB2015	CZ	SZ
		E1	20MAR2015	CZ	SZ
		E2	24FEB2017	WY	SZ



LP CONFIGURATION TAIL DIMENSIONS

- 1 "AMP" PART NUMBER AND DATE CODE TO BE MARKED IN AREA SHOWN. PARTS 2.00 OR LESS MAYBE MARKED ON BOTH SIDES.
- 2 MATERIAL: HOUSING - GLASS FILLED HIGH TEMP THERMO PLASTIC, UL94 V-0  
POWER CONTACT - HIGH CONDUCTIVITY COPPER ALLOY
- 3 CONTACT PLATING: NOBLE METAL PLATING ON CONTACT FUNCTIONAL AREA OF POWER AND SIGNAL CONTACTS.
- 4 MECHANICAL CONNECTOR KEEP OUT ZONE
- 5 DATUM AND BASIC DIMENSIONS ESTABLISHED BY CUSTOMER
- 6 PCB - ALL HOLE DIMENSIONS ARE FINISHED HOLE SIZES
- 7 PCB - .0453±.0010 DRILLED HOLES. PLATED WITH .0003 MIN Sn OVER .001 TO .003 Cu PLATING TO ACHIEVE A .040 DIA. HOLE
- 8 FOR PART NUMBER 6450869-4,6450869-5,6450869-6,6450869-7 PLEASE REFER TO SHEET 2.
- 9 VARIABLE DIMENSIONS PLEASE REFER TO TABLE.
- 10 PLEASE REFER TO PARTS VIEW FOR DETAIL DIMENTIONS.

S	W	R	T	L	DESCRIPTION	PART NUMBER
-	-	.1025	.115	.435	3LP	2-6450869-3
-	-	.1025	.115	.320	2LP	2-6450869-2
-	-	-	-	.540	2P	1-6450869-7
-	-	-	-	2.820	2HDP + 3LP + 40S + 4LP + 2HDP	1-6450869-6
-	-	-	-	1.370	1LP + 40S + 1LP	1-6450869-5
-	-	-	-	2.820	2ACP+ 1LP + 32S + 3HDP + 1LP + 1HDP	1-6450869-4
-	-	-	-	.400	2P	1-6450869-3
-	-	-	-	-	8P	6450869-8
-	-	.170	.200	2.715	12P	6450869-7
4.070	.120	1.295	.200	5.090	44S + 14P + 40S	6450869-6
-	1.595	.345	-	2.015	4P + 16S	6450869-5
-	.120	.795	.200	1.340	24S + 2P	6450869-4
-	-	-	-	-	4S + 17HDP + 8S	6450869-3
-	-	-	-	-	8S + 27P + 8S	6450869-2
-	-	.1025	.115	.780	6 LP	6450869-1

THIS DRAWING IS A CONTROLLED DOCUMENT. DWG: H.LIU 30APR2008  
 CHK: S.ZHAO 30APR2008

DIMENSIONS: INCHES. TOLERANCES UNLESS OTHERWISE SPECIFIED:  
 0 PLC ±.01  
 1 PLC ±.01  
 2 PLC ±.01  
 3 PLC ±.005  
 4 PLC ±.0020  
 ANGLES ±.020

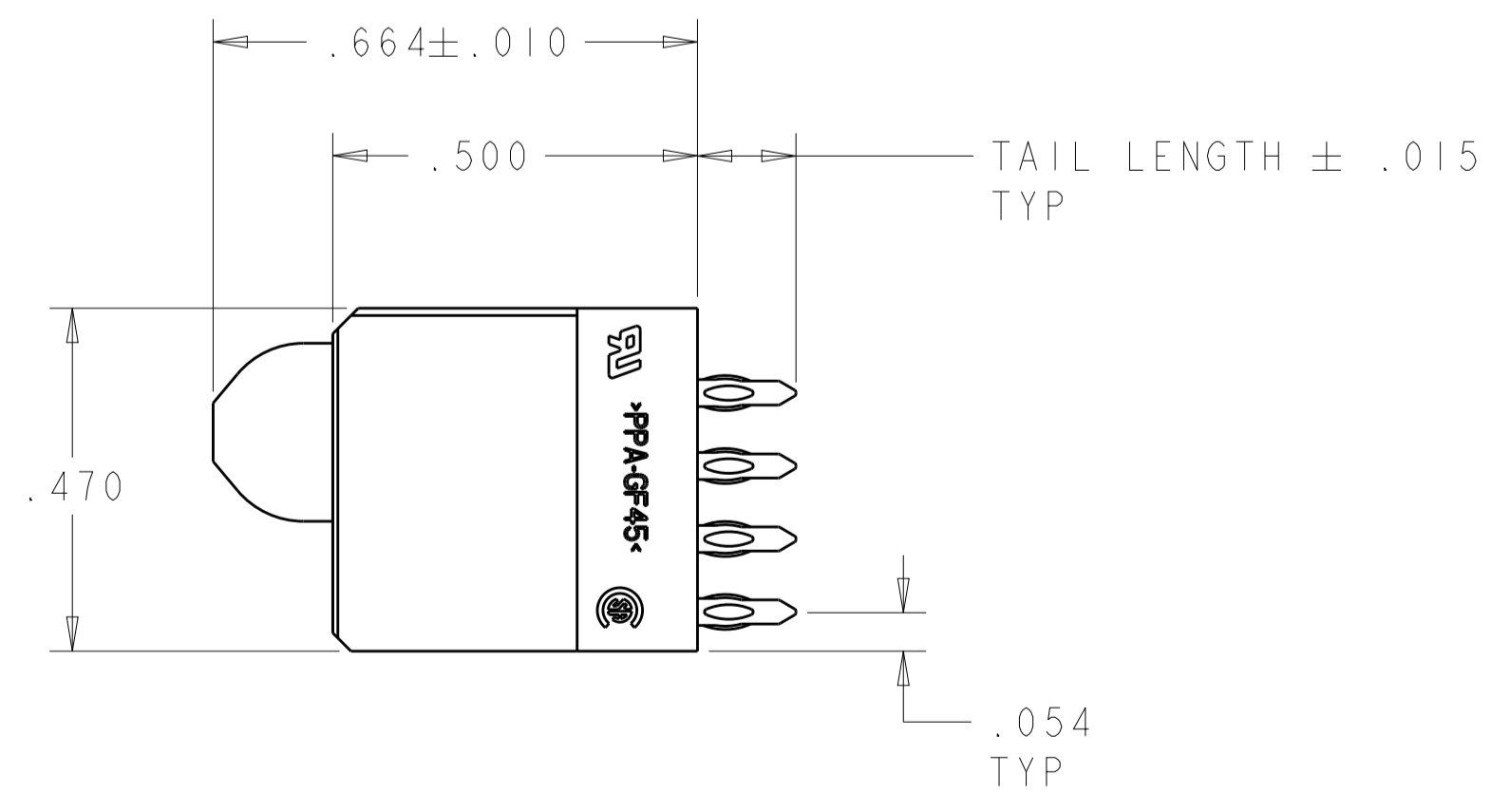
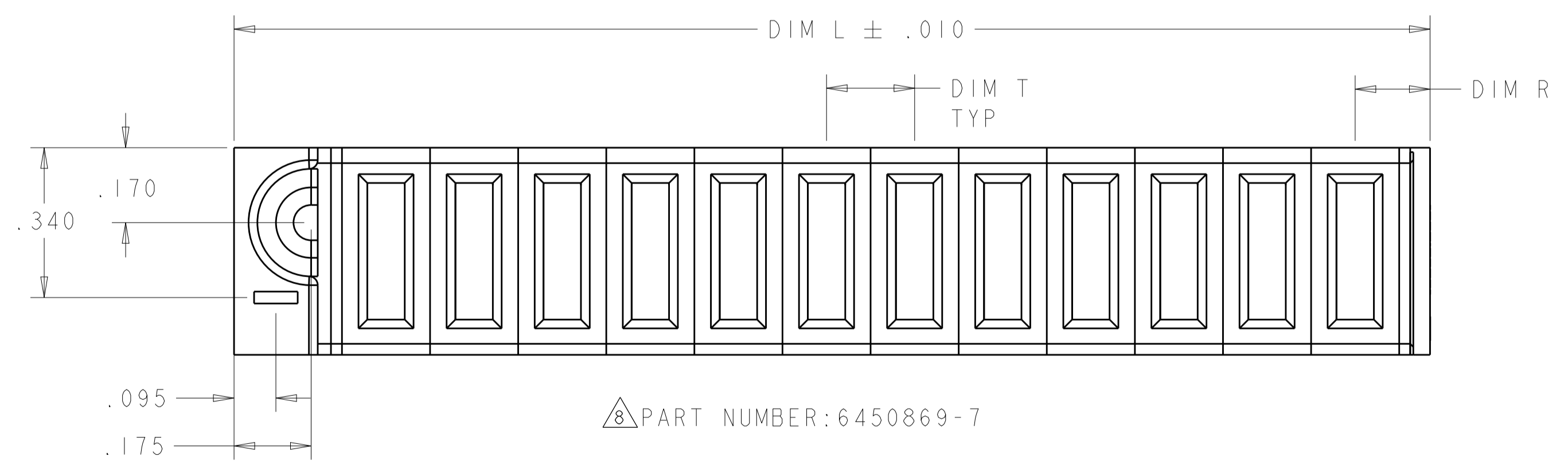
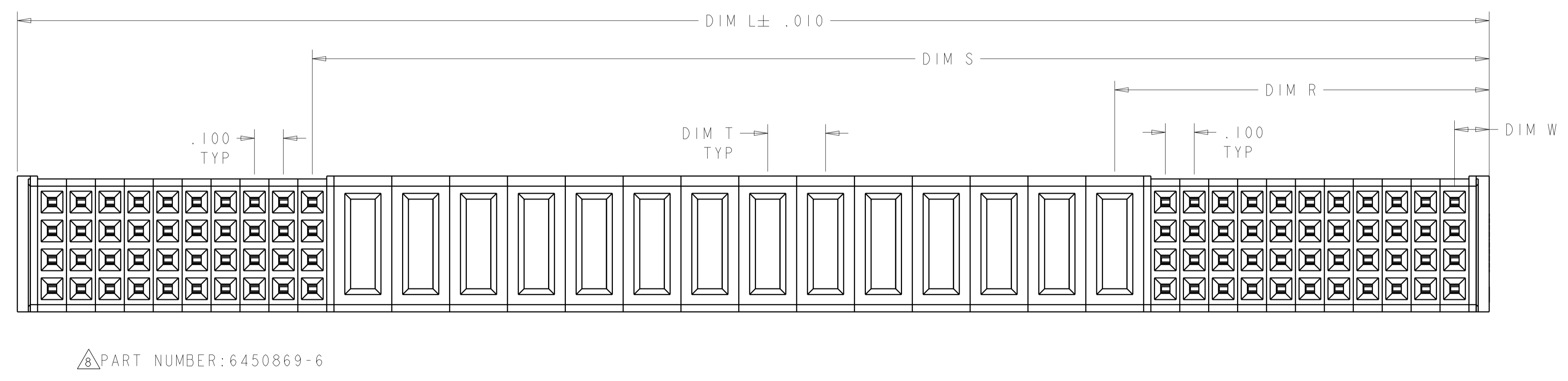
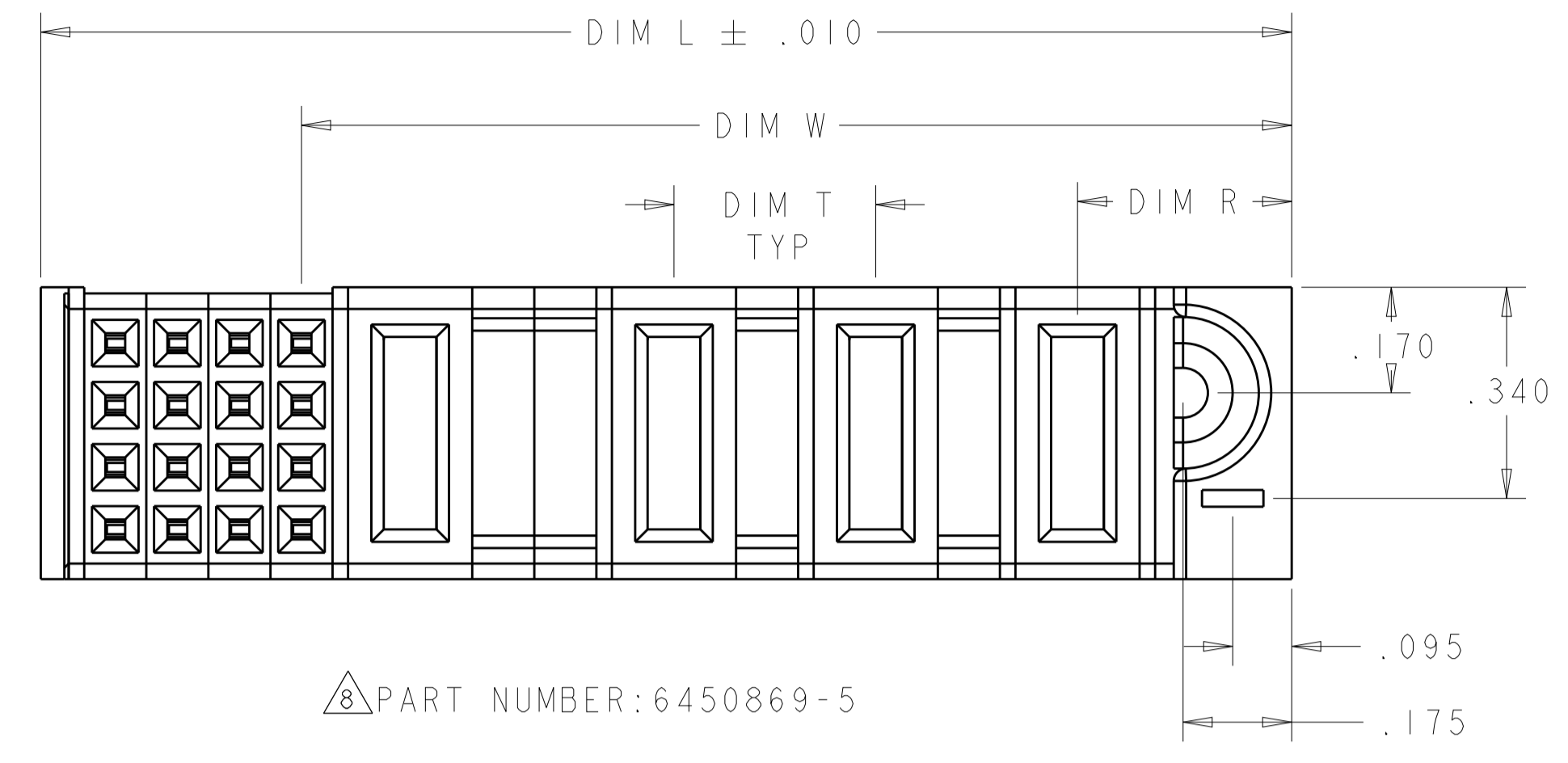
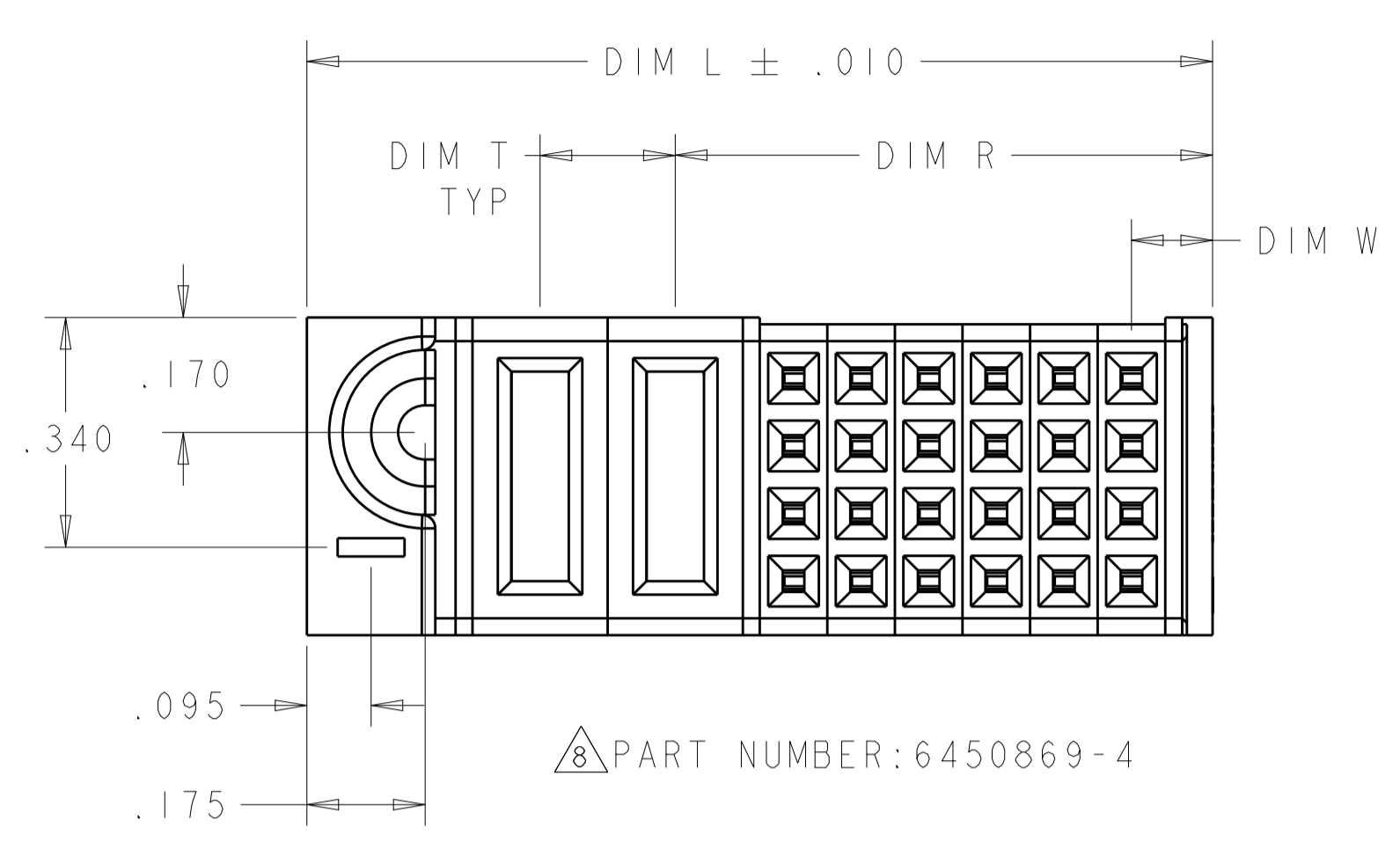
MATERIAL: 2 FINISH: 3

APVD: S.YAO  
 PRODUCT SPEC: 108-2292  
 APPLICATION SPEC: 114-13038  
 WEIGHT: -  
 CUSTOMER DRAWING

NAME: VERTICAL RECEPTACLE ASSEMBLY NO GUIDES MULTI-BEAM XLE  
 SIZE: A1  
 CAGE CODE: 6450869  
 SCALE: 4:1 SHEET 1 OF 10 REV: E2

TE Connectivity

LOC		DIST		REVISIONS			
ES	00	P	LTN	DESCRIPTION	DATE	DWN	APVD
-	-	-	-	SEE SHEET 1	-	-	-



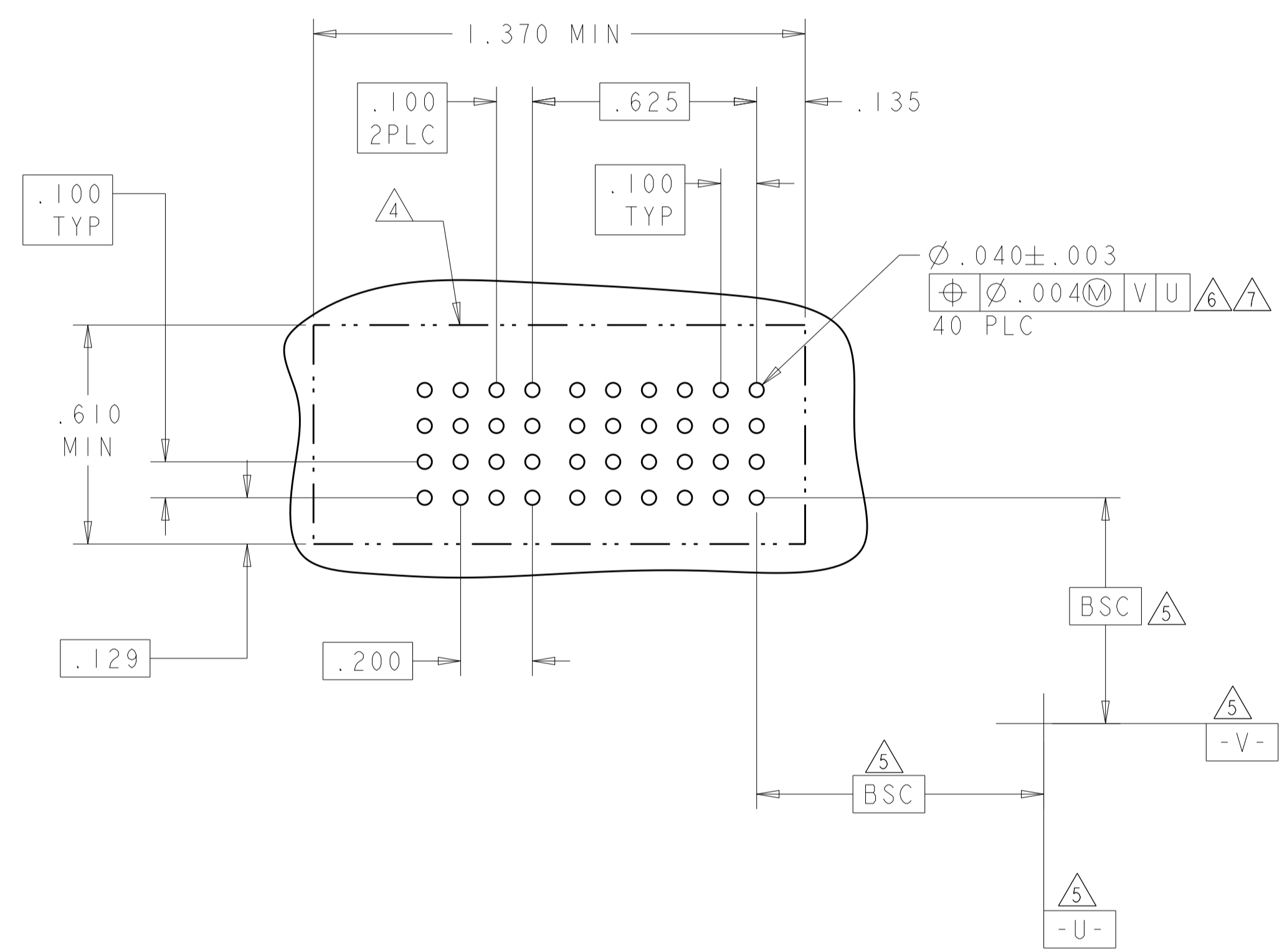
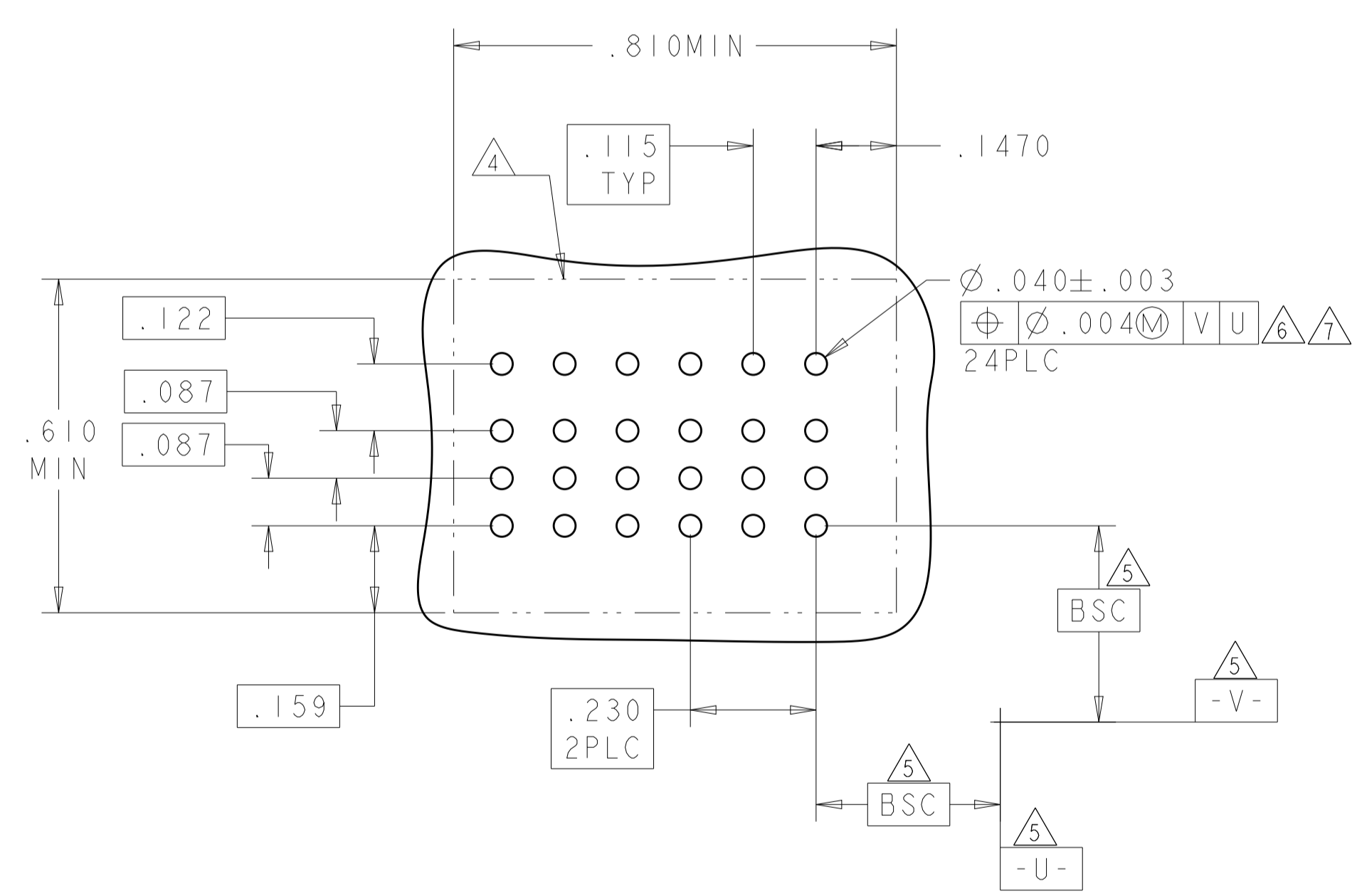
THIS DRAWING IS A CONTROLLED DOCUMENT.		DWN	H. LIU	30APR2008	TE Connectivity
DIMENSIONS: INCHES		CHK	S. ZHAO	30APR2008	
TOLERANCES UNLESS OTHERWISE SPECIFIED:		APVD	S. YAO	-	NAME
0 PLC	±	PRODUCT SPEC		VERTICAL RECEPTACLE ASSEMBLY	
2 PLC	±.01	APPLICATION SPEC		NO GUIDES	
3 PLC	±.005	SIZE		MULTI-BEAM XLE	
4 PLC	±.0020	CAGE CODE		114-13038	
ANGLES	±.020	DRAWING NO		A100779	
FINISH	±.020	CAGE CODE		6450869	
MATERIAL	-	WEIGHT		-	
CUSTOMER DRAWING		SCALE		4:1	
SHEET		2		OF 10	
REV		E		2	

LOC	DIST	REV	DATE	BY	APPD
ES	00				

PART NUMBER	POWER					
	LP6	LP5	LP4	LP3	LP2	LP1
6450869-1	LSI	LSI	LSI	LSI	LSI	LSI
6 LP						

PART NUMBER	ROWS	POWER		SIGNAL					
		P2	PI	6	5	4	3	2	1
6450869-4	D	GP	GS	AP	AP	AP	AP	AP	AP
	C			AP	AP	AP	AP	AP	AP
	B			AP	AP	AP	AP	AP	AP
	A			AP	AP	AP	AP	AP	AP

24S + 2P



P	.115 TAIL LENGTH, PRESS FIT, SIGNAL
AP	.135 TAIL LENGTH, PRESS FIT, SIGNAL
VP	MFBL .115 TAIL LENGTH, PRESS FIT, POWER
VS	STD .115 TAIL LENGTH, PRESS FIT, POWER
GP	MFBL .135 TAIL LENGTH, PRESS FIT, POWER
GS	STD .135 TAIL LENGTH, PRESS FIT, POWER
LSI	STD .135 TAIL LENGTH, PRESS FIT, POWER
CODE	PRESS FIT
POWER CONTACT	

THIS DRAWING IS A CONTROLLED DOCUMENT.

DIMENSIONS: INCHES	TOLERANCES UNLESS OTHERWISE SPECIFIED:	0 PLC ± .01	1 PLC ± .01	2 PLC ± .01	3 PLC ± .01	4 PLC ± .0020	ANGLES ± .020	FINISH
--------------------	--	-------------	-------------	-------------	-------------	---------------	---------------	--------

DATE	30APR2008	CHK	S. ZHAO
APVD	S. YAO	NAME	S. YAO
PRODUCT SPEC	108-2292	APPLICATION SPEC	114-13038
SIZE	A1	CAGE CODE	6450869
SCALE	4:1	SHEET	3 OF 10
REV	E2		

**STE** TE Connectivity

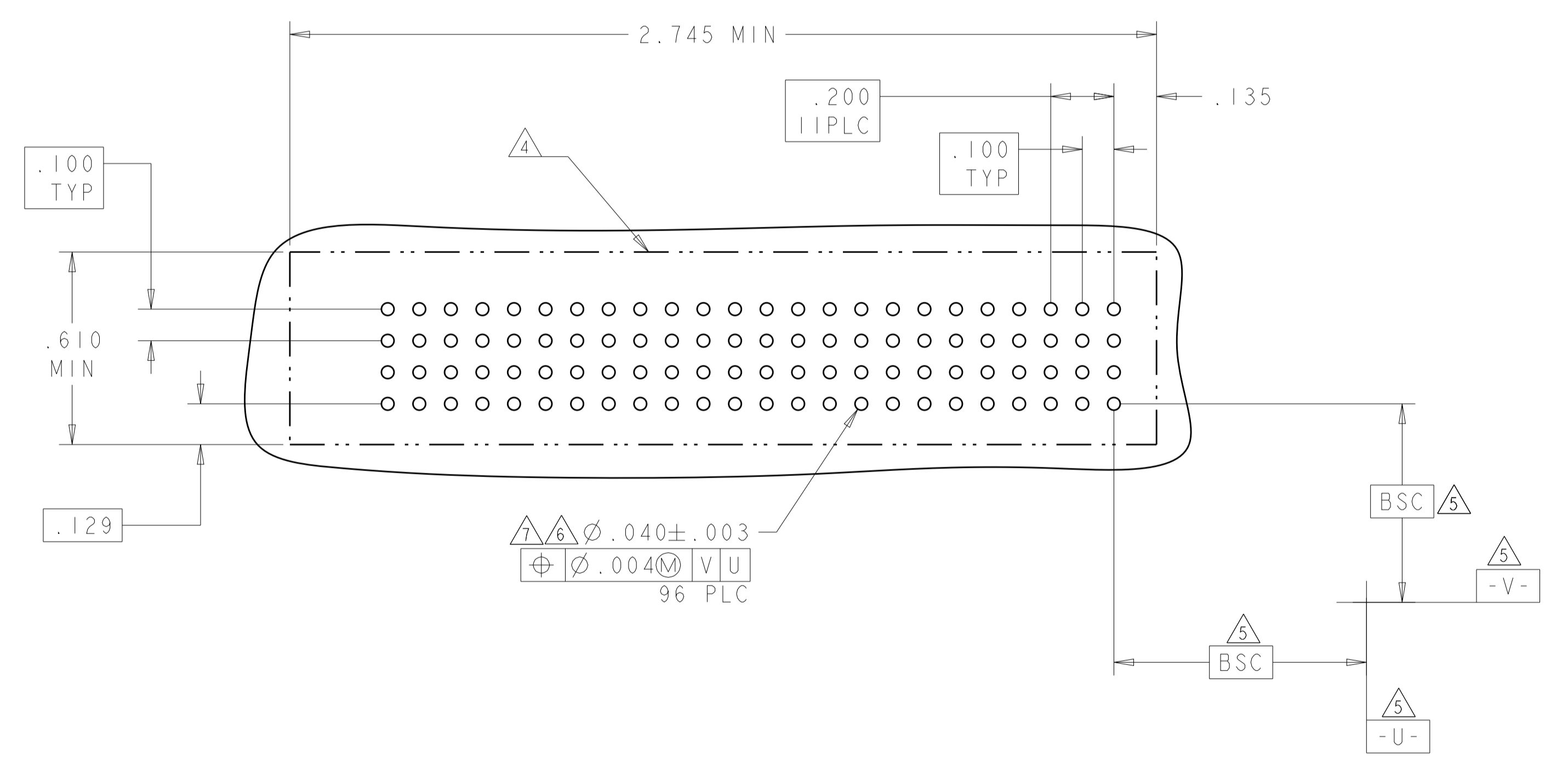
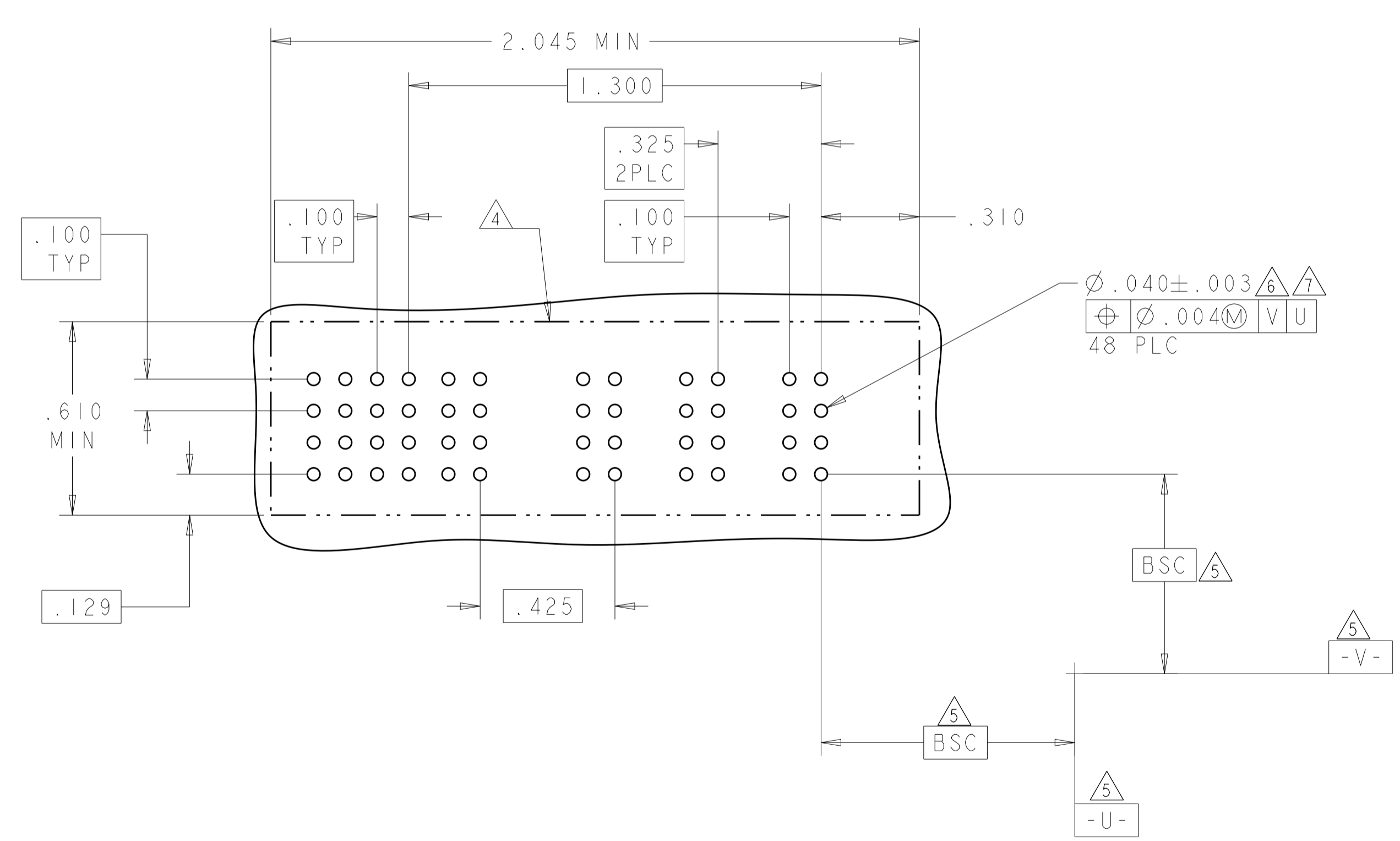
VERTICAL RECEPTACLE ASSEMBLY  
NO GUIDES  
MULTI-BEAM XLE

CUSTOMER DRAWING

LOC	DIST	REVISIONS			
P	LTN	DESCRIPTION	DATE	DMN	APVD
ES	00	SEE SHEET 1	-	-	-

PART NUMBER	ROWS	SIGNAL				POWER			
		4	3	2	1	P4	P3	P2	P1
6450869-5	D	AP	AP	AP	AP	GP	GS	GS	GS
	C	AP	AP	AP	AP				
	B	AP	AP	AP	AP				
	A	AP	AP	AP	AP				
4P + 16S									

PART NUMBER	POWER											
	P12	P11	P10	P9	P8	P7	P6	P5	P4	P3	P2	P1
6450869-7	GS	GS	GP	GS	GS	GS	GS	GS	GP	GS	GS	GS
12P												



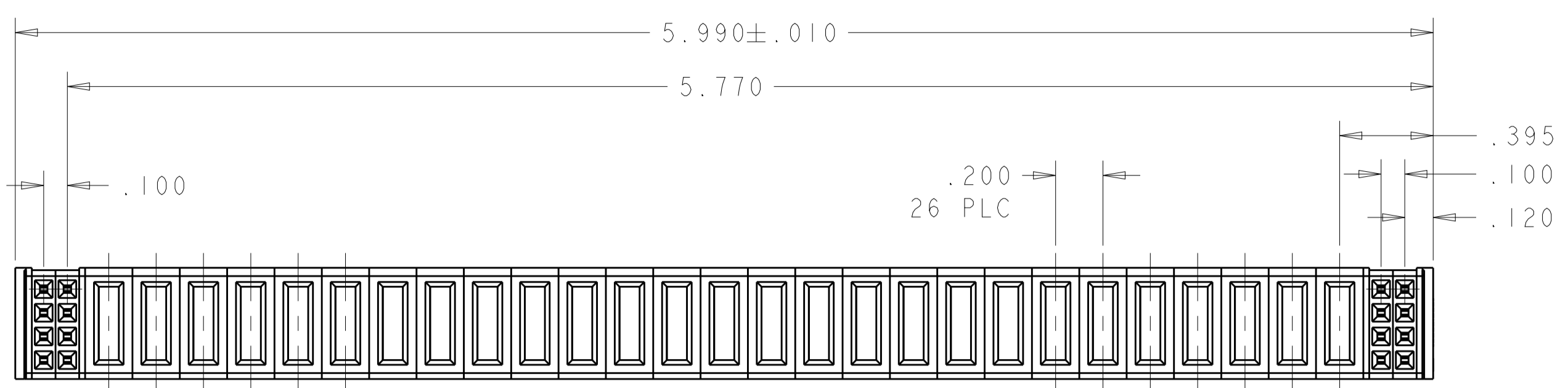
THIS DRAWING IS A CONTROLLED DOCUMENT.

DIMENSIONS: INCHES	TOLERANCES UNLESS OTHERWISE SPECIFIED: 0 PLC ±. 1 PLC ±.01 2 PLC ±.01 3 PLC ±.005 4 PLC ±.002 ANGLES ±.2°	FINISH	DMN H.LIU 30APR2008 CHK S.ZHAO 30APR2008 APVD S.YAO	NAME PRODUCT SPEC 108-2292 APPLICATION SPEC 114-13038 WEIGHT	RESTRICTED TO
MATERIAL			SIZE CAGE CODE DRAWING NO A100779C=6450869	SCALE 4:1 SHEET 4 OF 10 REV E2	

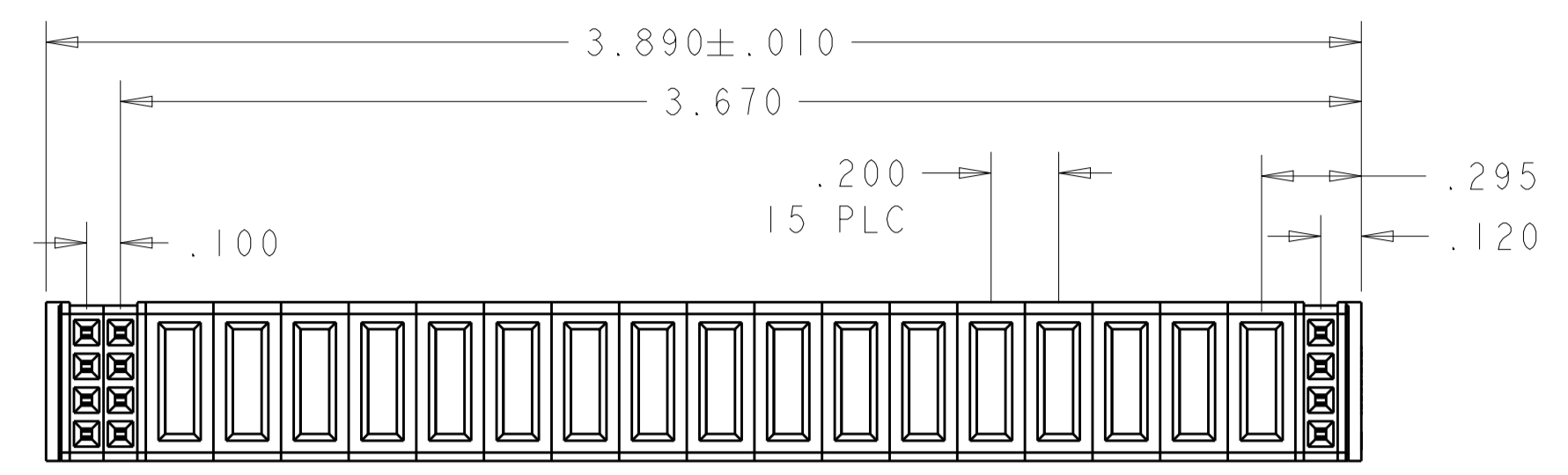
CUSTOMER DRAWING



LOC	DIST	REVISIONS			
P	LTN	DESCRIPTION	DATE	OWN	APVD
ES	00	SEE SHEET 1			



PART NUMBER: 6450869-2



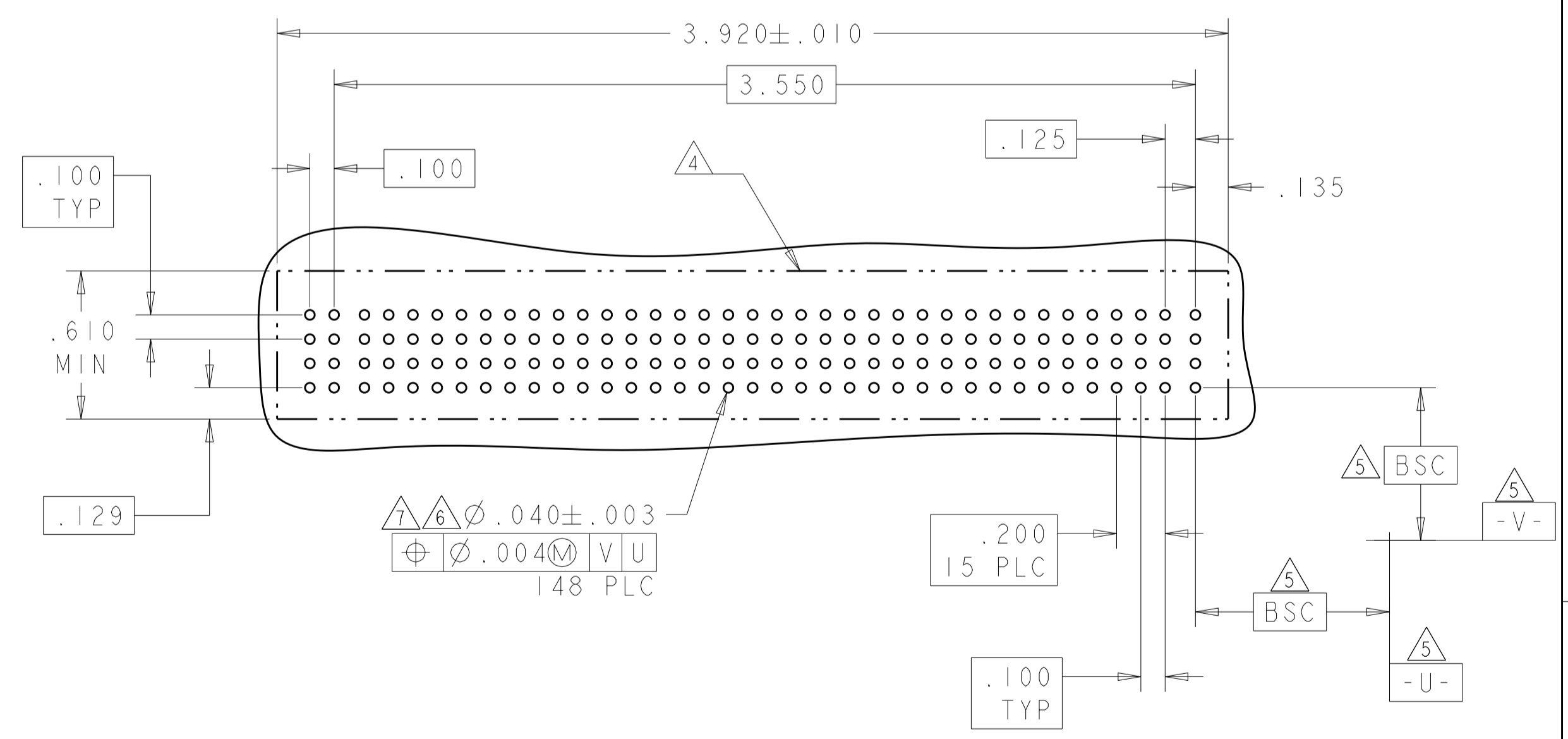
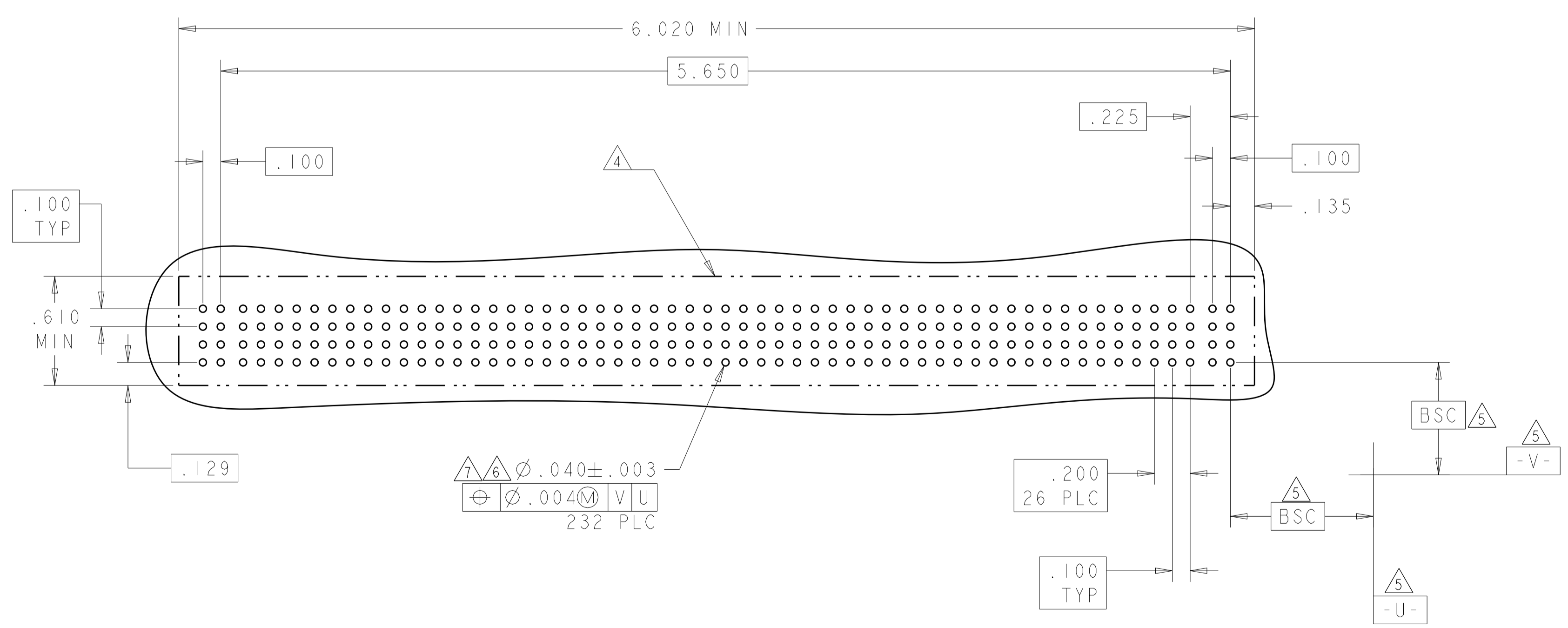
PART NUMBER: 6450869-3

PART NUMBER	ROWS	SIGNAL		POWER																SIGNAL												
		4	3	P27	P26	P25	P24	P23	P22	P21	P20	P19	P18	P17	P16	P15	P14	P13	P12	P11	P10	P9	P8	P7	P6	P5	P4	P3	P2	P1	2	1
6450869-2	D	P	P																												P	P
	C	P	P	VS	VS	VS	VS	VS	VS	VS	VS	VS	VS	VS	VS	VS	VS	VS	VS	VS	VS	VS	VS	VS	VS	VS	VS	VS	VS	P	P	
	B	P	P																											P	P	
	A	P	P																											P	P	

8S + 27P + 8S

PART NUMBER	ROWS	SIGNAL		POWER																S										
		3	2	P17	P16	P15	P14	P13	P12	P11	P10	P9	P8	P7	P6	P5	P4	P3	P2	P1	I									
6450869-3	D	P	P																											P
	C	P	P	VS	VS	VS	VS	VS	VS	VS	VS	VS	VS	VS	VS	VS	VS	VS	VS	VS	VS	VS	VS	VS	VS	VS	VS	VS	P	
	B	P	P																										P	
	A	P	P																										P	

4S + 17HDP + 8S



THIS DRAWING IS A CONTROLLED DOCUMENT. DWG: H.LIU 30APR2008  
 CHK: S.ZHAO 30APR2008  
 APVD: S.YAO

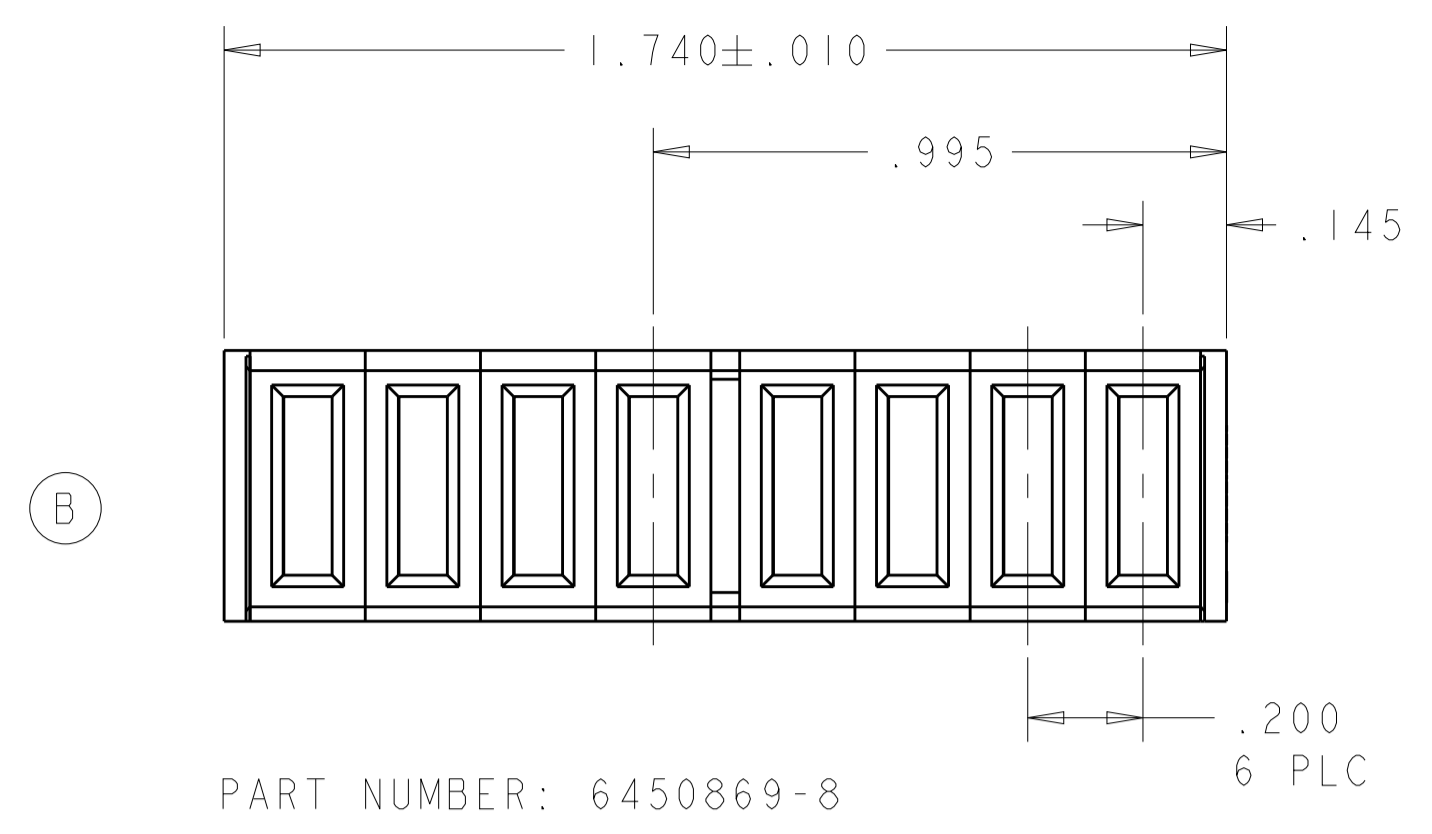
TE Connectivity

NAME: VERTICAL RECEPTACLE ASSEMBLY  
 PRODUCT SPEC: NO GUIDES  
 APPLICATION SPEC: MULTI-BEAM XLE

SIZE: 108-2292  
 CAGE CODE: 114-13038  
 DRAWING NO: A100779  
 CUSTOMER DRAWING: C=6450869

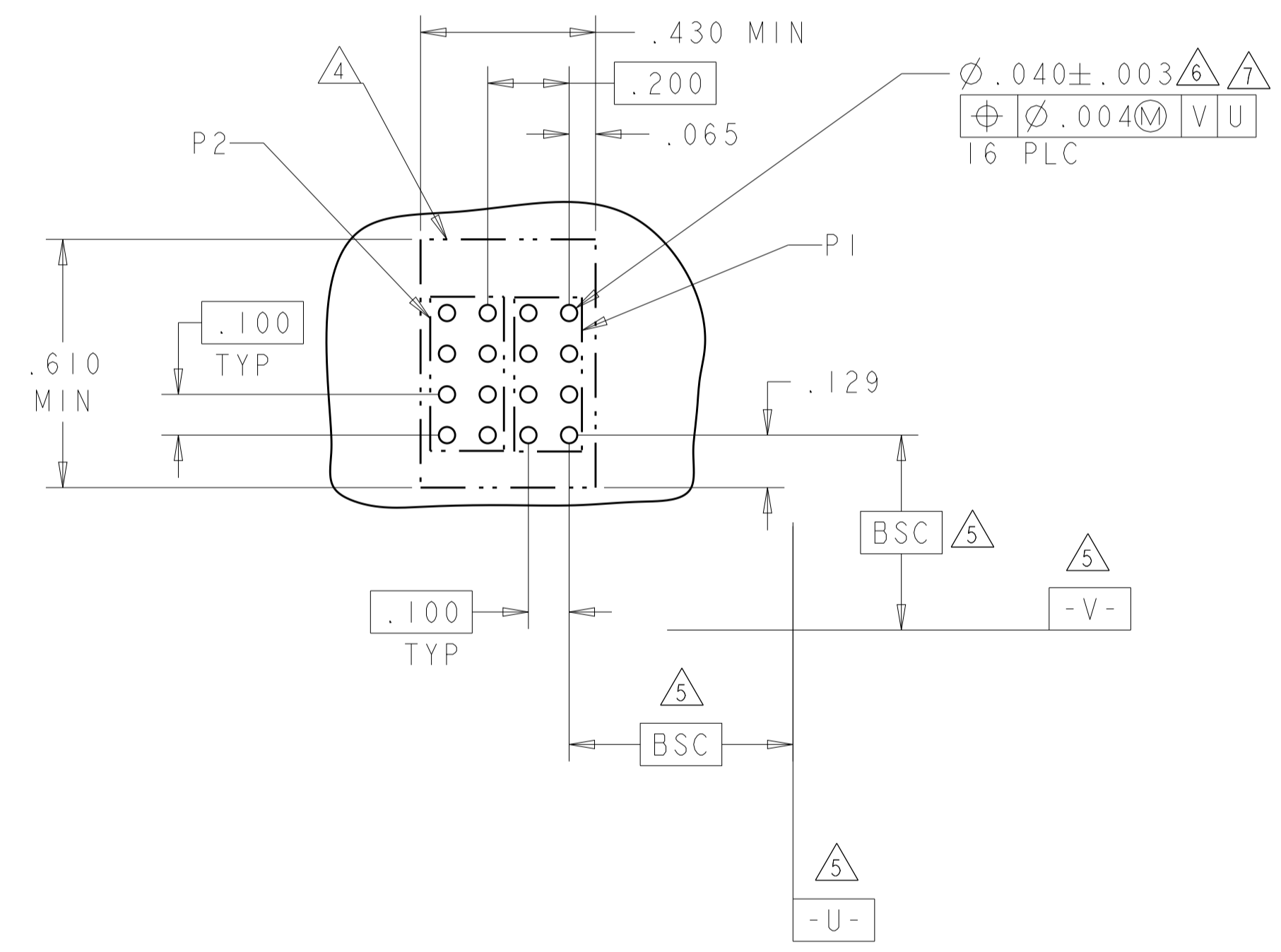
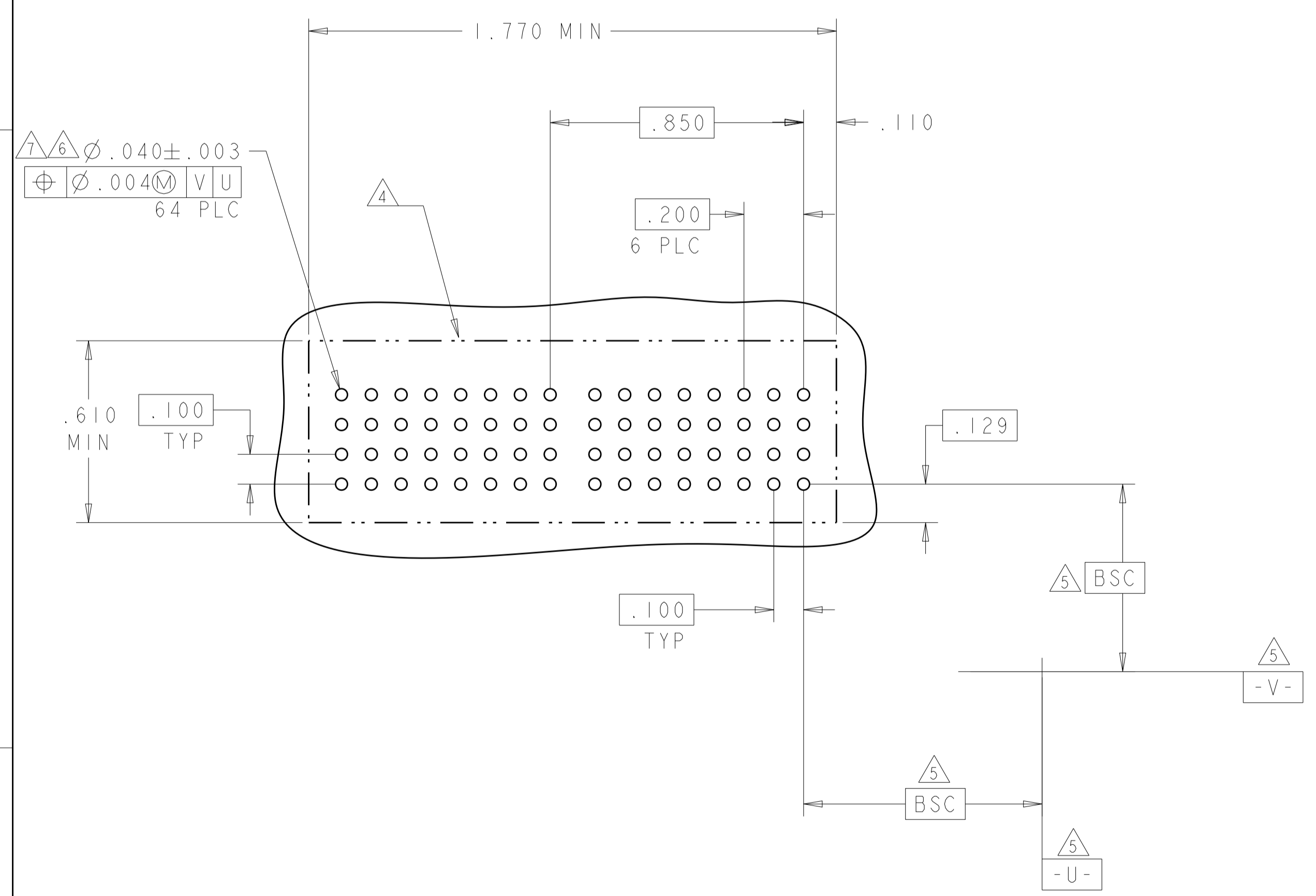
SCALE: 4:1 SHEET: 6 OF 10 REV: E2

LOC	DIST	REVISIONS			
P	LTN	DESCRIPTION	DATE	DWN	APVD
ES	00	SEE SHEET 1	-	-	-



PART NUMBER	POWER	
	P2	P1
1-6450869-3	GP	GS
2P		

PART NUMBER	ROWS	POWER							
		P8	P7	P6	P5	P4	P3	P2	P1
6450869-8	D								
	C	GS	GS	GS	GS	GS	GS	GS	GS
	B								
	A								
8P									



THIS DRAWING IS A CONTROLLED DOCUMENT. DWN: H.LIU 30APR2008  
 CHK: S.ZHAO 30APR2008

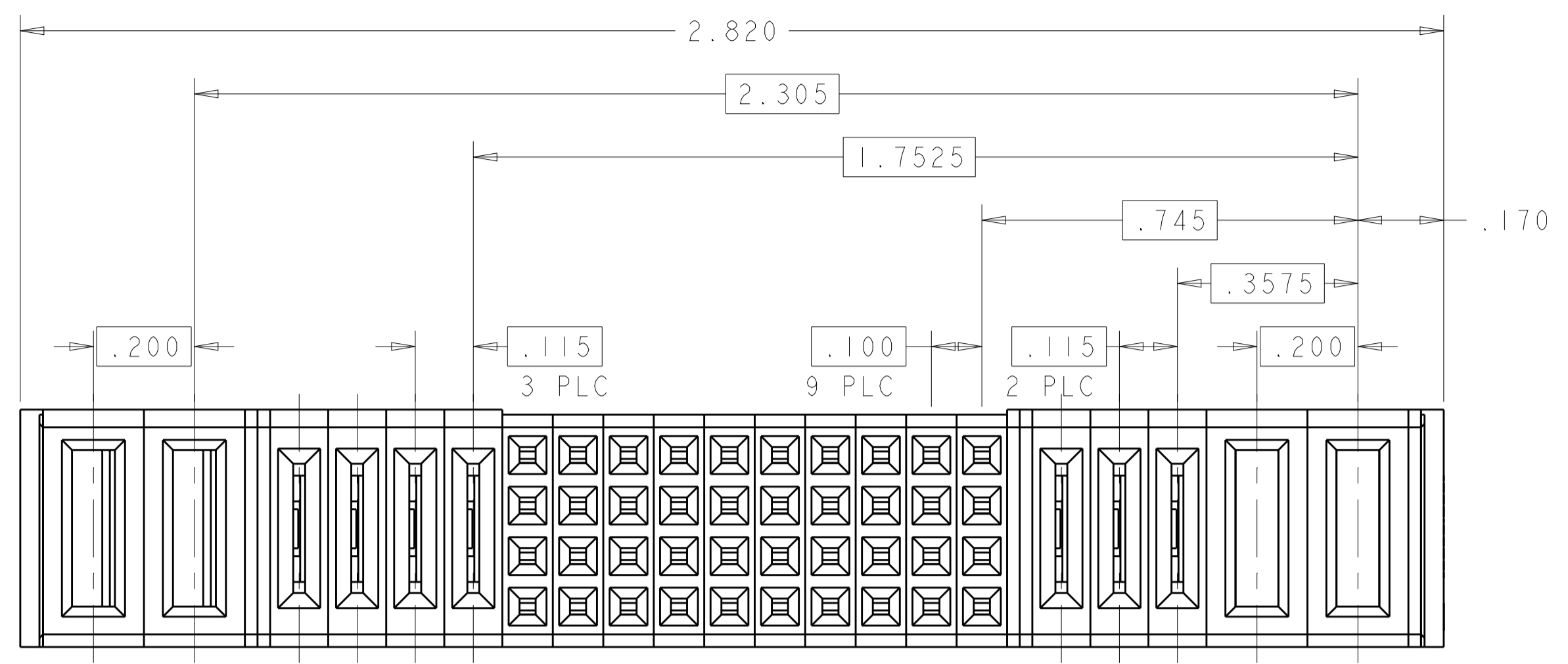
DIMENSIONS: INCHES	TOLERANCES UNLESS OTHERWISE SPECIFIED:	APVD: S.YAO	NAME: S.YAO
0 PLC ±.01	1 PLC ±.01	PRODUCT SPEC: 108-2292	RESTRICTED TO: -
2 PLC ±.01	3 PLC ±.005	APPLICATION SPEC: 114-13038	SIZE: A1
4 PLC ±.0020	ANGLES ±.2°	WEIGHT: -	CAGE CODE: 6450869
MATERIAL: -	FINISH: -	CUSTOMER DRAWING	SCALE: 4:1 SHEET 7 OF 10 REV: E2

TE Connectivity  
 VERTICAL RECEPTACLE ASSEMBLY  
 NO GUIDES  
 MULTI-BEAM XLE



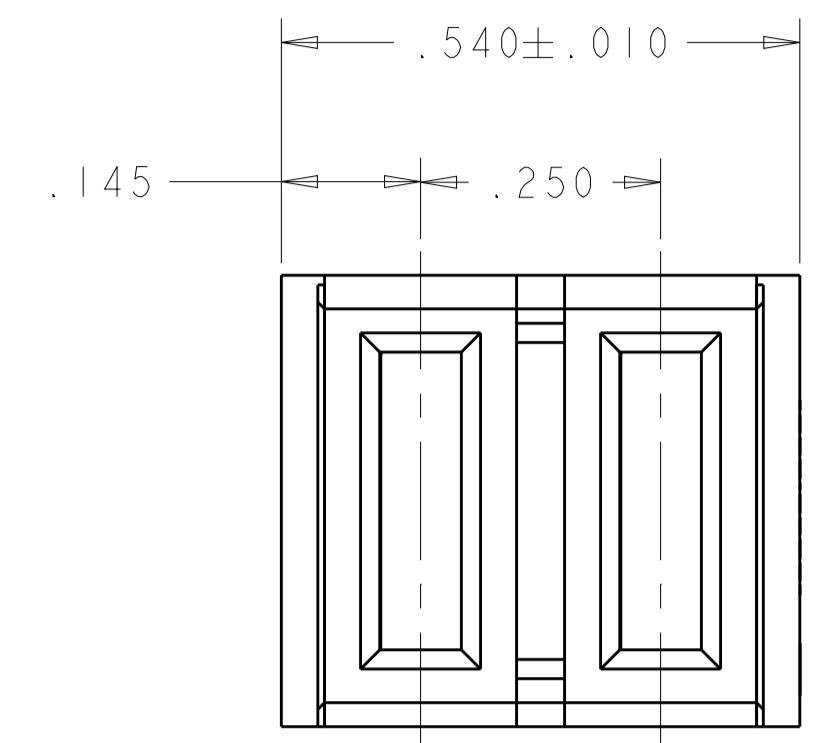


LOC	DIST	REVISIONS			
P	LTN	DESCRIPTION	DATE	DWN	APVD
ES	00	SEE SHEET 1	-	-	-

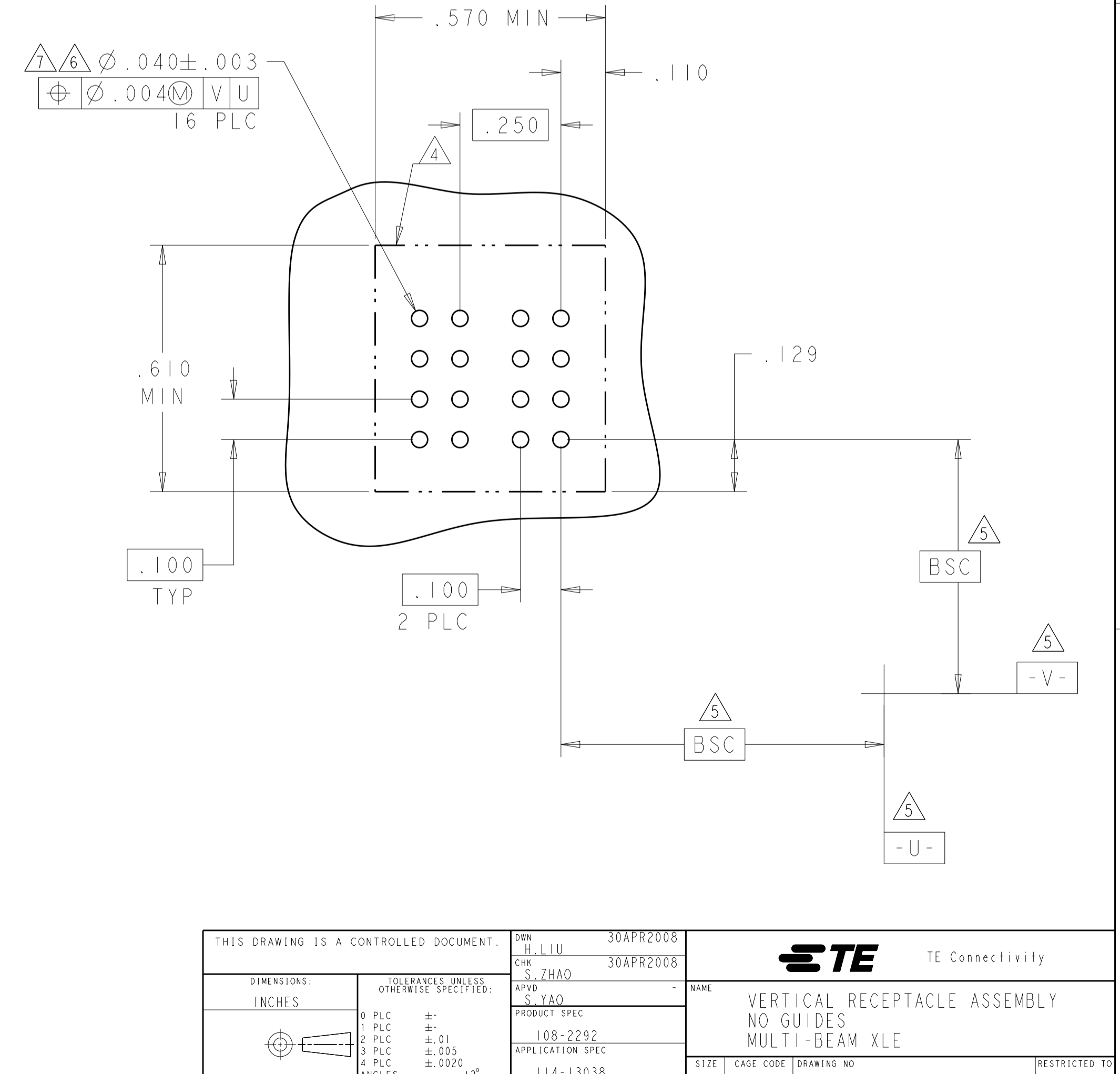
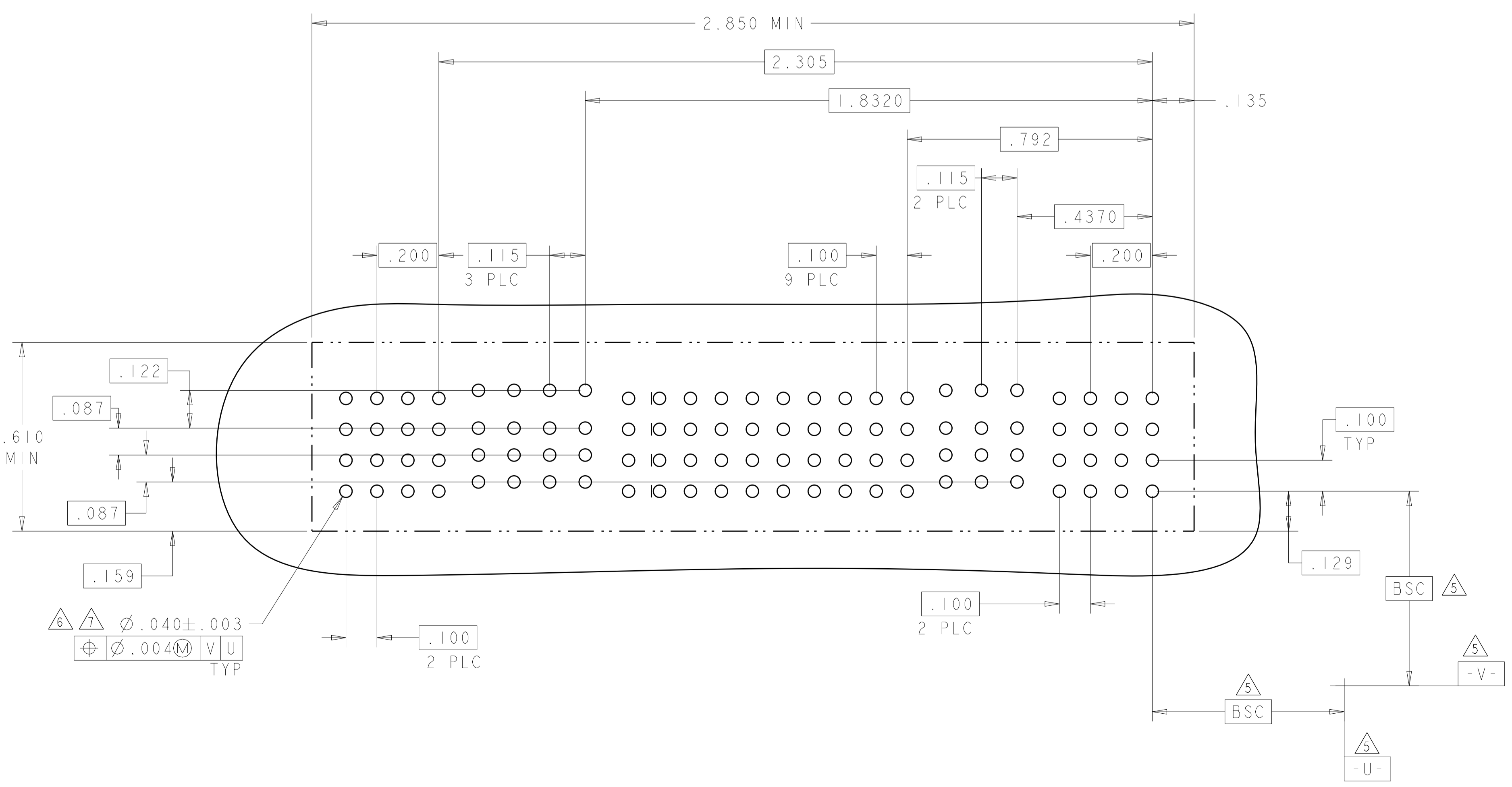


PART NUMBER	ROWS	POWER						SIGNAL										POWER									
		P4	P3	LP7	LP6	LP5	LP4	10	9	8	7	6	5	4	3	2	1	LP3	LP2	LP1	P2	P1					
1-6450869-6	D							AP	AP	AP	AP	AP	AP	AP	AP	AP	AP										
	C	GS	GS	LSI	LSI	LSI	LSI	AP	AP	AP	AP	AP	AP	AP	AP	AP	AP	LSI	LSI	LSI	LSI	GS	GS				
	B							AP	AP	AP	AP	AP	AP	AP	AP	AP	AP										
	A							AP	AP	AP	AP	AP	AP	AP	AP	AP	AP										

2HDP + 3LP + 40S + 4LP + 2HDP



PART NUMBER	POWER	
	P2	P1
1-6450869-7	GS	GS
2P		

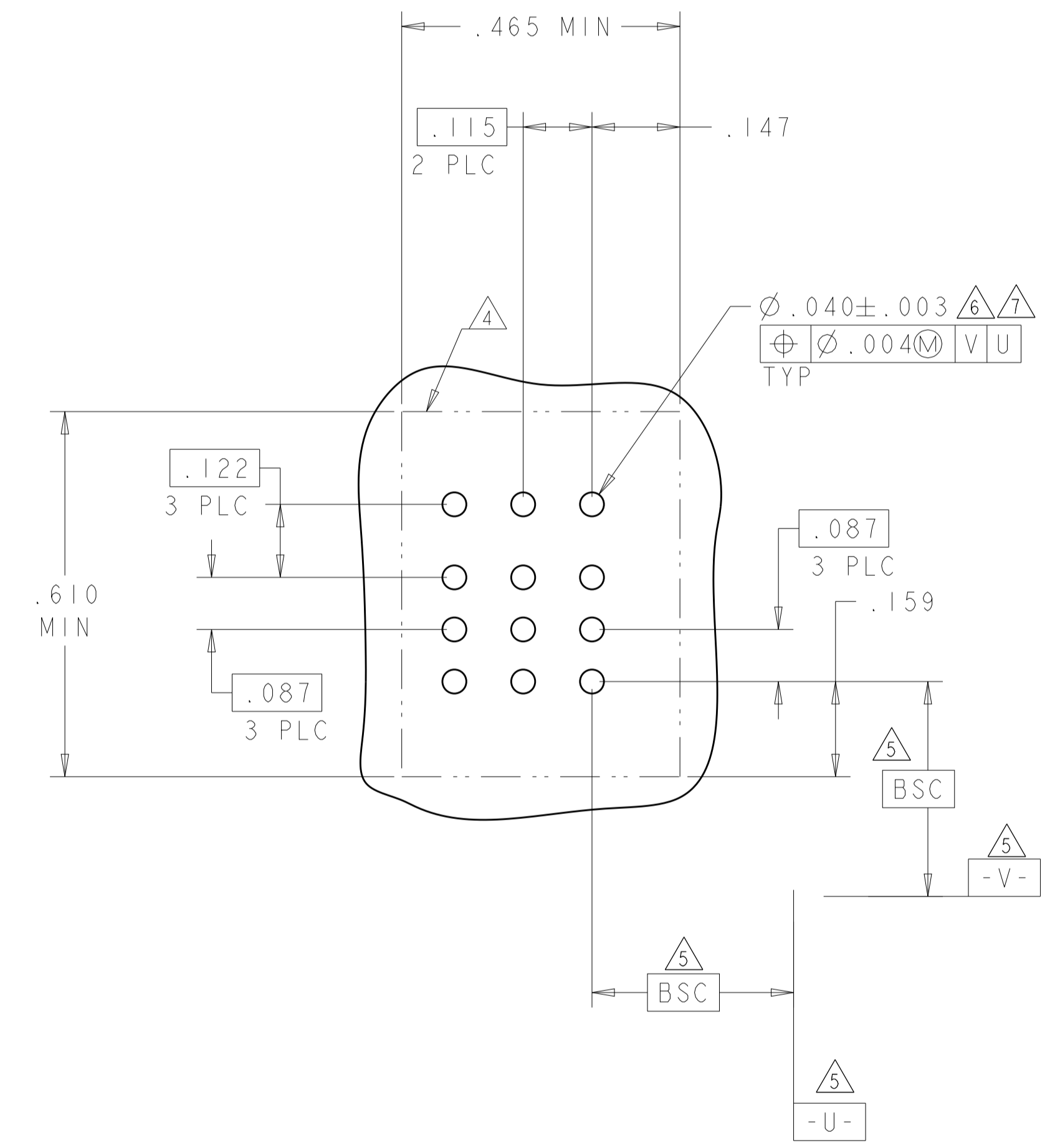
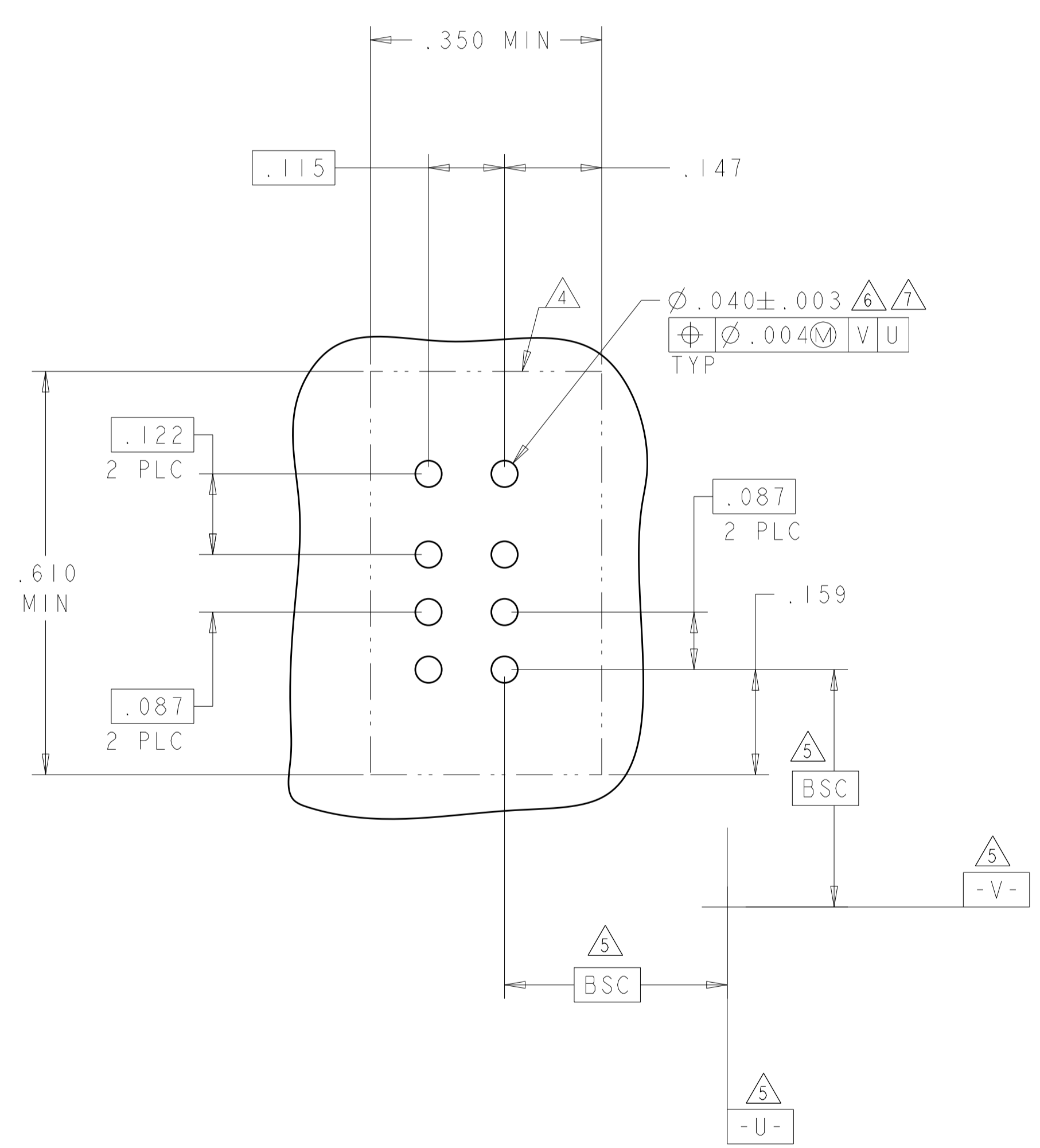


THIS DRAWING IS A CONTROLLED DOCUMENT.		DWN: H.LIU 30APR2008	TE Connectivity
DIMENSIONS: INCHES		CHK: S.ZHAO 30APR2008	
TOLERANCES UNLESS OTHERWISE SPECIFIED:		APVD: S.YAO	NAME: VERTICAL RECEPTACLE ASSEMBLY
0 PLC ±.01 1 PLC ±.01 2 PLC ±.01 3 PLC ±.005 4 PLC ±.002 ANGLES ±.020		PRODUCT SPEC: 108-2292	NO GUIDES
MATERIAL: FINISH:		APPLICATION SPEC: 114-13038	MULTI-BEAM XLE
		WEIGHT: CUSTOMER DRAWING	SIZE: A1
		SCALE: 4:1	SHEET 9 OF 10
			REV: E2

LOC	DIST	REVISIONS			
P	LTN	DESCRIPTION	DATE	DMN	APVD
ES	00	SEE SHEET 1	-	-	-

PART NUMBER	LOW POWER	
	LP2	LP1
2-6450869-2	LS1	LS1
2LP		

PART NUMBER	LOW POWER		
	LP3	LP2	LP1
2-6450869-3	LS1	LS1	LS1
3 LP			



THIS DRAWING IS A CONTROLLED DOCUMENT.		DMN: H.LIU 30APR2008	<b>TE</b> Connectivity
DIMENSIONS: INCHES		CHK: S.ZHAO 30APR2008	
TOLERANCES UNLESS OTHERWISE SPECIFIED:		APVD: S.YAO	NAME: VERTICAL RECEPTACLE ASSEMBLY
0 PLC ±.01	1 PLC ±.01	PRODUCT SPEC: 108-2292	NO GUIDES
2 PLC ±.005	3 PLC ±.005	APPLICATION SPEC: 114-13038	MULTI-BEAM XLE
4 PLC ±.0020	ANGLES ±.7°	SIZE: A1	CAGE CODE: 6450869
MATERIAL: -	FINISH: -	WEIGHT: -	RESTRICTED TO: -
CUSTOMER DRAWING		SCALE: 4:1	SHEET 10 OF 10 REV: E2