

ALL DIMENSIONS ARE REFERENCE ONLY

WIRE RANGE: 22-18 AWG  
.25-1.5mm<sup>2</sup>

REVISE ONLY ON CAD SYSTEM

TITLE ML-2218 MULTI-LOCK  
WIRE RANGE 22-18 AWG

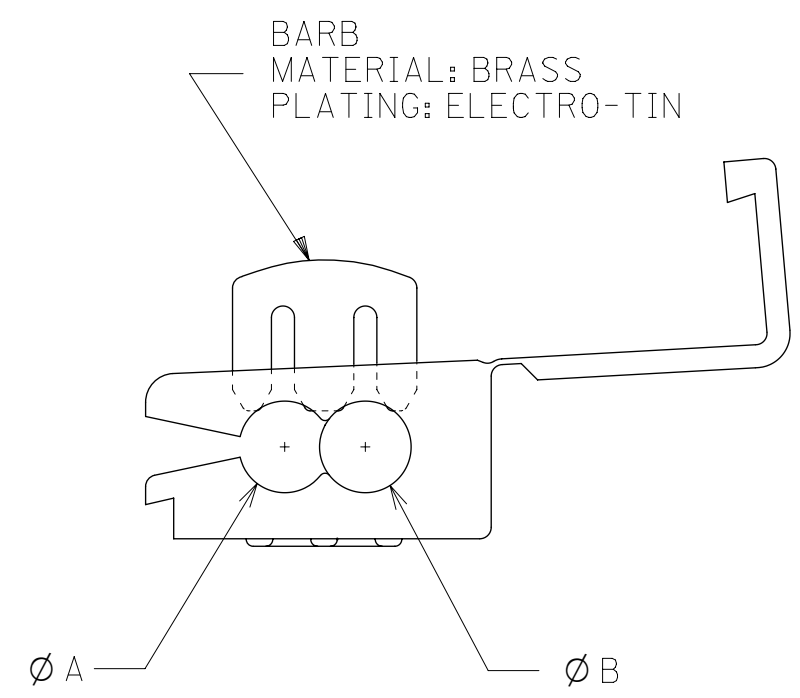
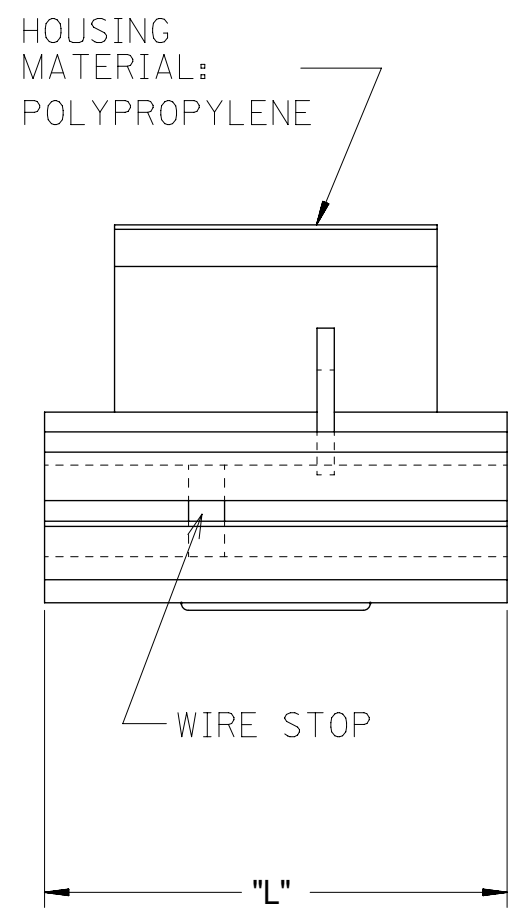
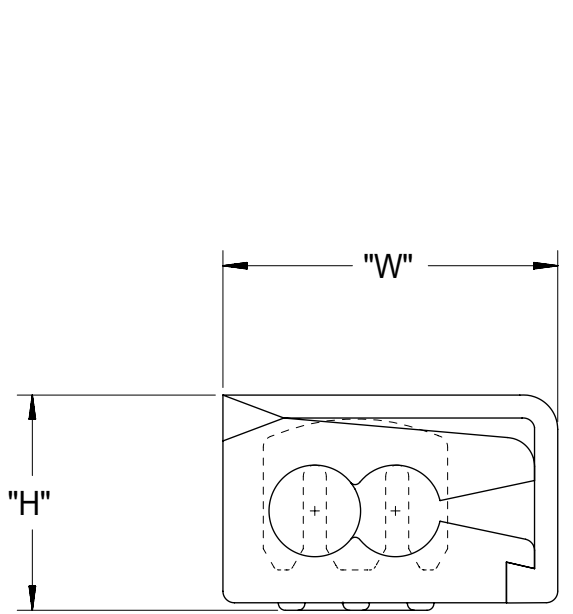
CUSTOMER  
DRAWING

DRWG. BY RCM  
CHK'D. BY  
APP'D. BY  
SCALE NO:NE

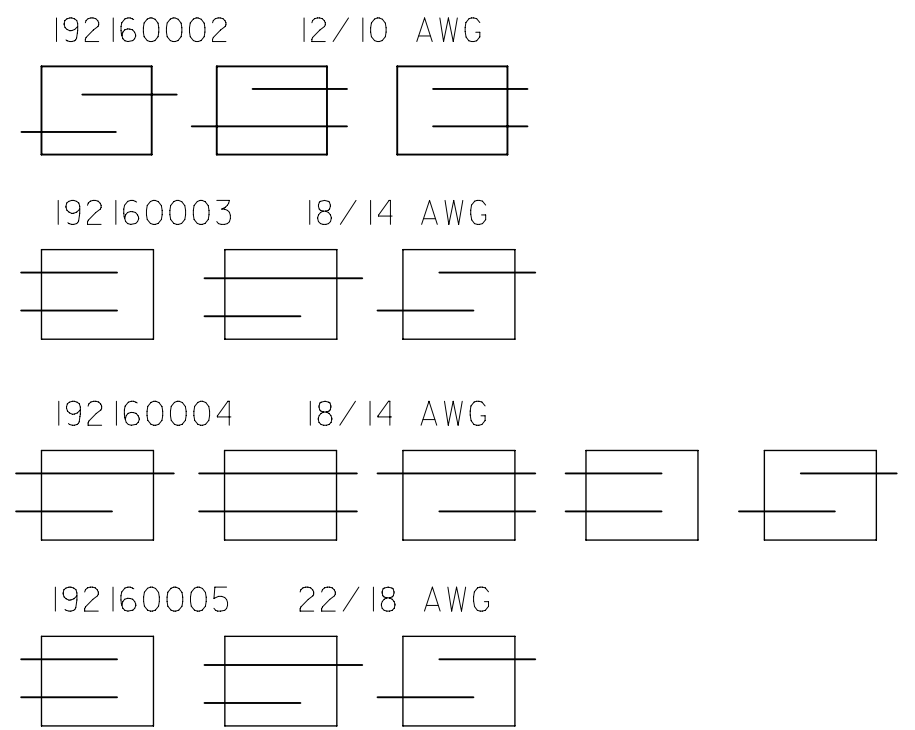
**molex ETC INC.**  
PINELLAS PARK, FLA. 34665 U.S.A.  
PART NO. ML-2218  
FILE NAME CD10003

SHEET NO. DATE 08/21/91  
DRWG. NO. CD-10003  
THIS DRAWING CONTAINS INFORMATION THAT IS PROPRIETARY TO MOLEX-ETC INC. AND SHOULD NOT BE USED WITHOUT WRITTEN PERMISSION.  
DIV. SIZE A

MATERIAL NUMBER	ALTERNATE NUMBER	WIRE SIZE	WIRE STOP	COLOR	"H" MAX	"W" MAX	"L" MAX	"A" MIN	"B" MIN
192160002	ML-1210	12-10	YES	YELLOW	.52/(13.2)	.74/(18.8)	.80/(20.3)	.160/(4.06)	.185/(4.70)
192160003	ML-1814 WS <b>B2</b>	18-14	YES	BLUE	.42/(10.7)	.55/(13.8)	.79/(20.1)	.125/(3.17)	.130/(3.30)
192160004	ML-1814	18-14	NO	WHITE	.42/(10.7)	.55/(13.8)	.79/(20.1)	.125/(3.17)	.130/(3.30)
192160005	ML-2218	22-18	YES	RED	.42/(10.7)	.55/(13.8)	.79/(20.1)	.120/(3.04)	.120/(3.04)



POSSIBLE WIRE CONFIGURATIONS



NOTE:  
PARTS ARE ROHS COMPLIANT.

THIS DRAWING CONTAINS INFORMATION THAT IS PROPRIETARY TO MOLEX ELECTRONIC TECHNOLOGIES, LLC AND SHOULD NOT BE USED WITHOUT WRITTEN PERMISSION													
FUNCTIONAL SYMBOLS	FA = 0	IN/MM	SCALE	CURRENT REV DESC: ENG P/N: ML-1814 WS WAS ML-1614			<b>molex</b>						
	FE = 0	GENERAL TOLERANCES (UNLESS SPECIFIED)	NTS										
DIVISIONAL SYMBOLS	FD = 0	4 PLACES	±	MM	±	INCH	EC NO: 644192			MULTI LOCK CONNECTOR 22 THROUGH 10 AWG			
		3 PLACES	±		±	0.005	DRWN: DMYRICK 2020/08/26						
		2 PLACES	±	0.13	±	0.01	CHK'D: CWALSH 2020/08/27						
		1 PLACE	±	0.25	±		APPR: CWALSH 2020/08/27						
		0 PLACES	±		±		INITIAL REVISION:						
	ANGULAR TOL	±	°				DRWN: PBUNNELL 2000/12/14			DOCUMENT NUMBER	DOC TYPE	DOC PART	REVISION
	DRAFT WHERE APPLICABLE MUST REMAIN WITHIN DIMENSIONS	THIRD ANGLE PROJECTION		DRAWING	SERIES	MATERIAL NUMBER	CUSTOMER		SHEET NUMBER				
				B-SIZE	19216	SEE CHART	GENERAL MARKET		1 OF 1				
										SD-19216-003	PSD	001	B2

DOCUMENT STATUS	P1	RELEASE DATE	2020/08/27	18:15:51
-----------------	----	--------------	------------	----------