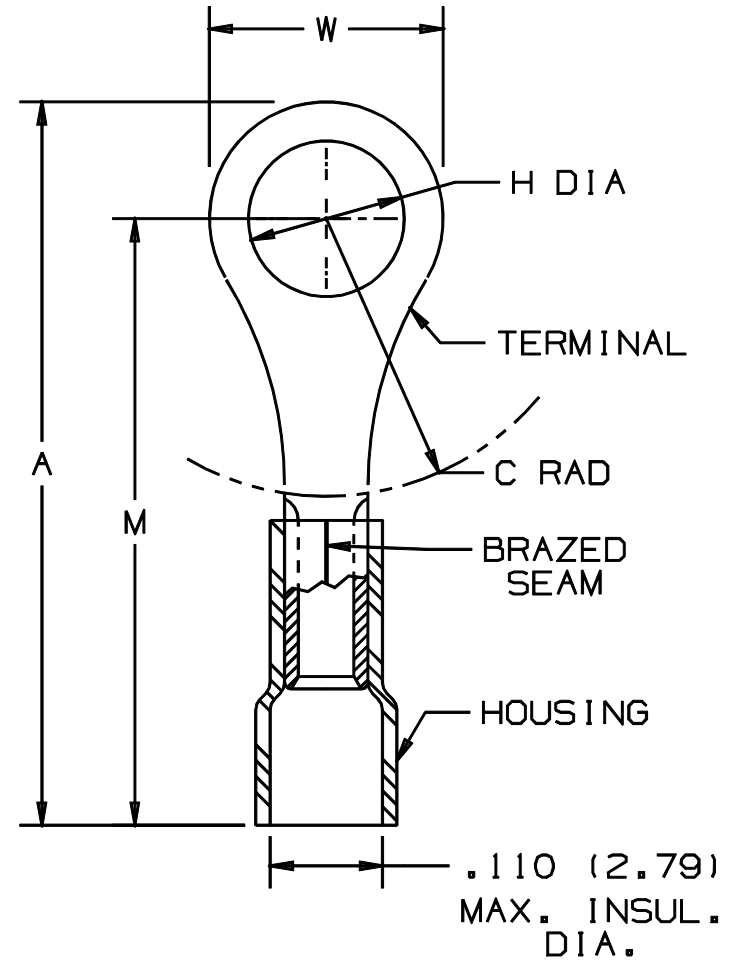


THIS COPY IS PROVIDED ON A RESTRICTED BASIS AND IS NOT TO BE USED IN ANY WAY DETRIMENTAL TO THE INTERESTS OF PANDUIT CORP.

PANDUIT PART NUMBER	STUD SIZE	DIMENSIONS in.				
		A $\pm .03$	W $\pm .01$	C $\pm .02$	M $\pm .03$	H $\pm .01$
PV22-2R	#2	.68 (17.27)	.21 (5.33)	.18 (4.57)	.58 (14.73)	.10 (2.54)
PV22-4R	#4	.68 (17.27)	.21 (5.33)	.18 (4.57)	.58 (14.73)	.12 (3.05)
PV22-6R	#6	.68 (17.27)	.21 (5.33)	.18 (4.57)	.58 (14.73)	.15 (3.81)
PV22-8R	#8	.78 (19.81)	.26 (6.60)	.26 (6.60)	.65 (16.51)	.17 (4.32)
PV22-10R	#10	.78 (19.81)	.32 (8.13)	.24 (6.10)	.62 (15.75)	.20 (5.08)

NOTES:

- RECOMMENDED FOR:
 - 600V. MAX. VOLTAGE RATING
 - #26-22 AWG SOLID OR STRANDED COPPER WIRE
 - 221° F (105° C) MAX. TEMP. RATING
- MATERIAL:
 - STAMPING - .020 (0.51) THK COPPER, TIN PLATED
 - HOUSING - VINYL, YELLOW
- PACKAGE QTY: STD. PKG. - C = 100
BULK PKG. - M = 1000
- DIMENSIONS IN BRACKETS ARE IN MILLIMETERS
- INSTALLATION TOOLS: CT-520, CT-1525
- WIRE STRIP LENGTH: $3/16" + 1/32" - 0"$



A41230_06

06	1/01	KMD		CAD FILE SPEC. WAS N41230AA_PCD_05				PANDUIT CORP. TINLEY PARK, ILLINOIS			
05	5/99	JKD		ADDED CT-1525 TOOL	07632						
04	1/96	ED	RLS	REVISIONS TO NOTES / FILESPEC WAS: A41230A.PRT	03921	LCA	DBH	#26-22 BARREL VINYL INSULATED RING TONGUE, .110 (2.79) MAX. WIRE INSUL. DIA.			
03	7/88	DW		REDRAWN WITH REVISIONS			JB				
REV	DATE	BY	CHK	DESCRIPTION	ECN	CUST	PM	DRAWN BY DAW	CHK'D CJH	SCALE NONE	DRAWING NO. A41230