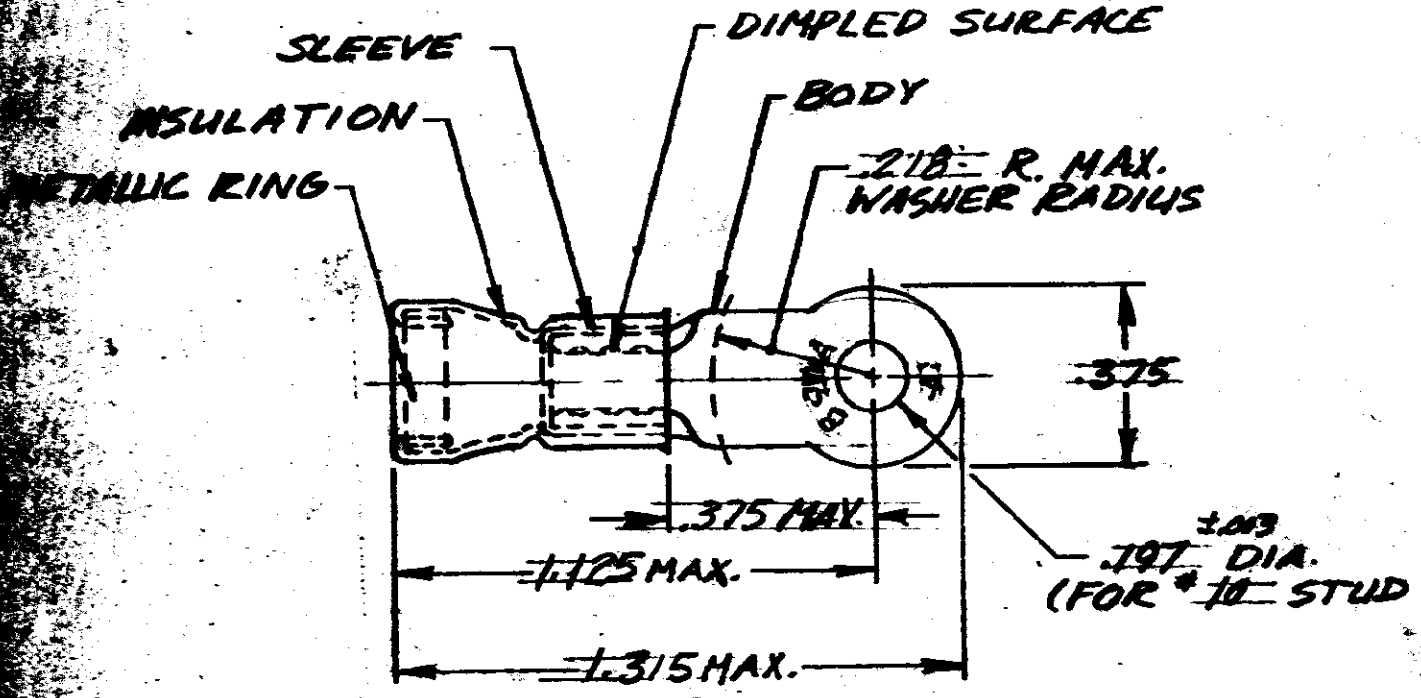


RIGHT 1978 BY AMP
 HARRISBURG, PA.
 INTERNATIONAL RIGHTS
 AMP INCORPORATED
 COVERED BY U.S. AND
 PATENTS AND /OR PATENTS

REVISIONS				
LTR	DESCRIPTION	DATE	APPROVED	P/F
0	PER NPS 78-0081	REQ 7/12/78	1191	✓
A	REV. PER P-8397	REQ 8/16/79	1191	✓
B	-2 INACTIVATED PER P-9909	PMF 3-2-83	74	✓
C	-2 OBSOLETE G-0472	DAP 4-87	1191	✓
D	REV. G-4680	TAB 5-6-88	1191	✓



FOR .296 MAX. WIDE INSULATION DIA.
 TONGUE MATERIAL THICKNESS = .0385 ± .003

QTY.	DESCRIPTION	MATERIAL & FINISH	PART NO
1	TERMINAL	BODY: COPPER (QQ-C-576) TIN PL. (MIL-T-10727) INSULATION: PVC-COLOR: RED SLEEVE: COPPER (QQ-C-576) METALLIC RING: STEEL QQ-S-698 (ASTM A109)	54739-1

UNLESS OTHERWISE SPECIFIED DIMENSIONS ARE IN INCHES. TOLERANCES ON: DIMENSIONS ± .000 ANGLES ± 5°	CONTRACT NO	AMP INCORPORATED Harrisburg, Pa.
	DR R.E. BROWN 4/19/78	
MATERIAL	CHK W. J. MILLER 4-18-78	NAME
SEE TABLE	APPD [Signature] 4-17-78	TERMINAL AMPLI-BOND - RING TONGUE WIRE SIZE: B
DESIGN APPD	OTHER APPD	SIZE
SEE TABLE		A
		CODE IDENT NO
		00779
		NUMBER
		54739
		SCALE
		N.T.S.
		SHEET
		1 OF 1