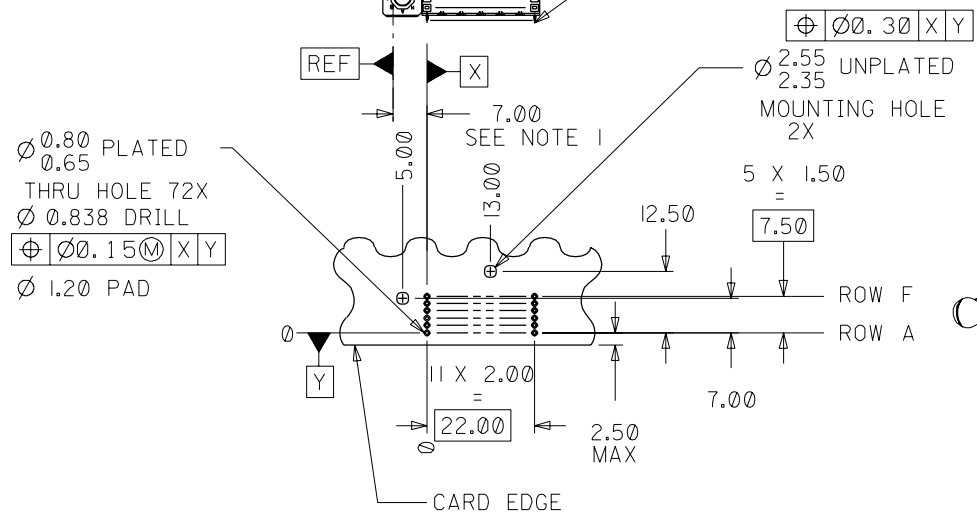
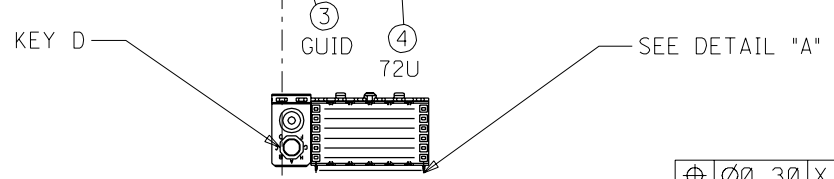
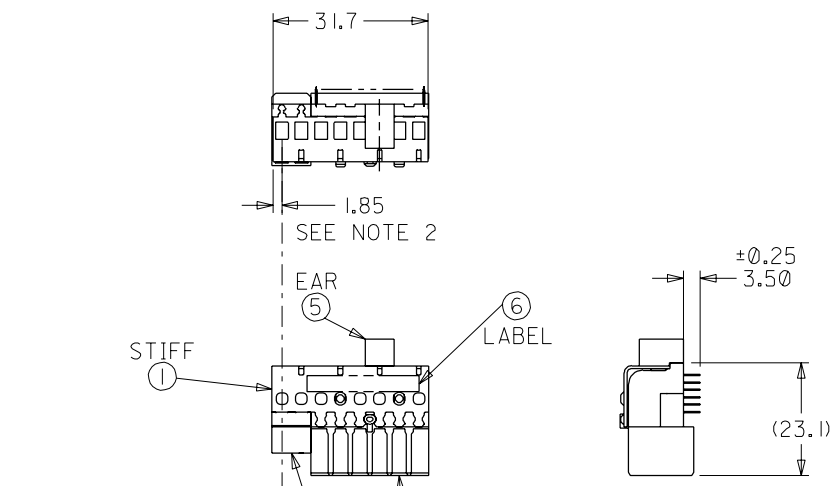
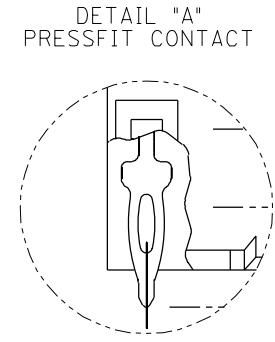
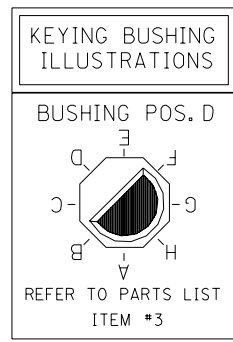


ITEM	QTY	PART NUMBER	DESCRIPTION
1	1	73664-0032	STIFFENER
2	1	73726-0000	MOUNTING SCREW
3	2	73660-3000	GUIDE MODULE, KEY D
4	1	73632-0330	72 POS. SIGNAL, UNSHIELDED, PRESSFIT
5	1	73665-0000	MOUNTING EAR
6	1	73728-0000	CUSTOM LABEL

NOTES:
 1. DISTANCE FROM "REF" PLANE TO FIRST SIGNAL CONTACT.
 2. DISTANCE FROM "REF" PLANE TO LEFT END OF STIFFENER.
 3. DIMENSIONS ARE IN MILLIMETERS.
 4. THIS PRODUCT CONFORMS TO MOLEX PRODUCT SPECIFICATION PS-73670-9999.
 5. NON-TOLERANCED DIMENSIONS ARE BASIC.
 6. PLATING: SELECTIVE GOLD (Au) IN CONTACT AREA, 0.000076mm MIN. THICKNESS, SELECTIVE TIN/LEAD (Pb/Sn) ON PCB TAILS, NICKEL OVERALL.
 7. PACKAGED PER PK-70873-0820.



DETAIL "B"
KEYING BUSHING LOCATIONS



CUSTOMER: CISCO

DAUGHTERCARD HOLE PATTERN AS VIEWED FROM CONNECTOR SIDE

RELEASED FOR PROD
 ECR UDT2000-0573
 BINGHAM 99/12/16

MFG.	SH.	REV.	LTR.	REVISIONS
------	-----	------	------	-----------

DIMENSIONS SHOWN (METRIC) INCH	
UNLESS OTHERWISE SPECIFIED TOLERANCES: ANGULAR = 1/2°	
3 PLACE	± N/A
2 PLACE	± N/A
1 PLACE	± ---

▽ = 0	▼ = 0	REVISE ONLY ON CAD SYSTEM
TITLE HDM PRESSFIT DAUGHTERCARD SALES ASSEMBLY		
MOLEX INCORPORATED LITTLEILL. 60532 U.S.A.		SHEET NO. 1 OF 1 DATE 99/12/16
PART NO. 73670-0418		DRWG. NO. SDA-73670-0418

DRWG. BY JPB	CHK'D. BY SMR
APP'D. BY CAB	SCALE 1 : 1

FILE NAME S7367418.DGN	DIV. DA	SIZE B
------------------------	---------	--------