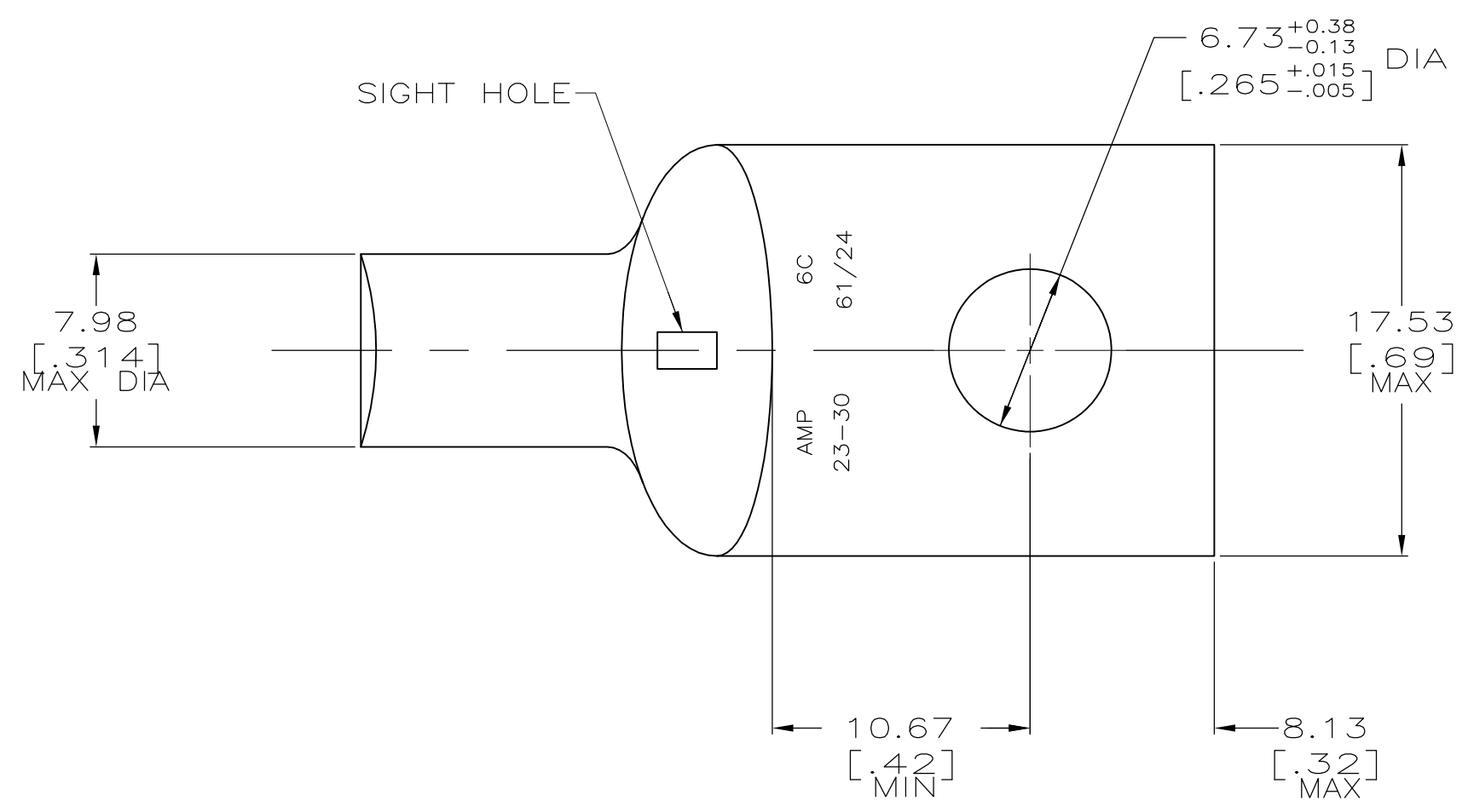
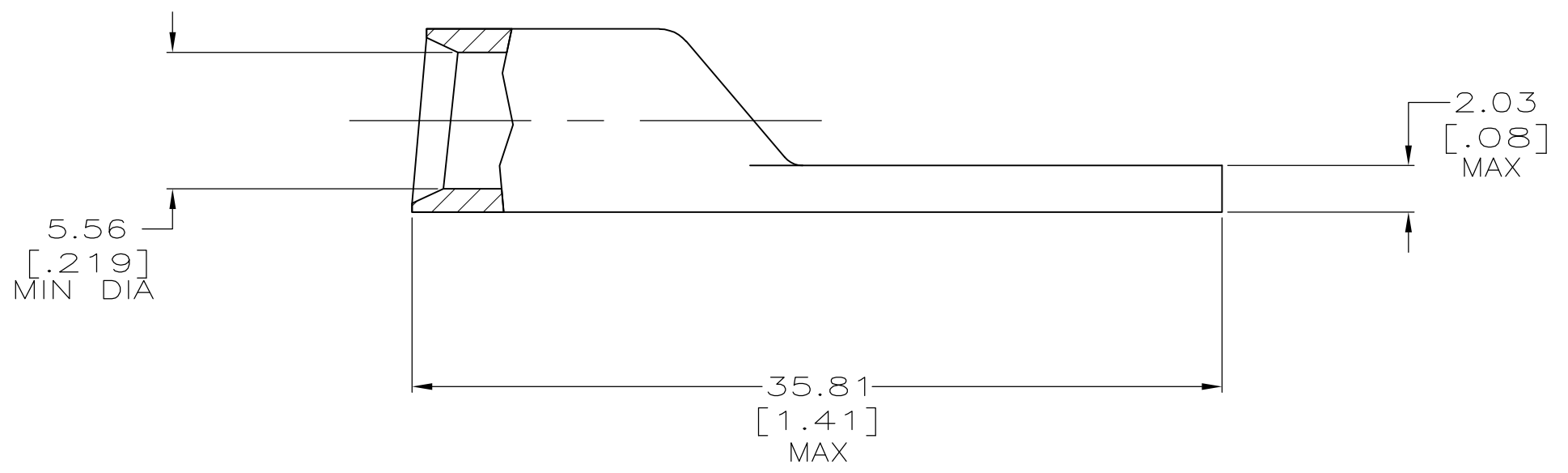


THIS DRAWING IS UNPUBLISHED. RELEASED FOR PUBLICATION  
 © COPYRIGHT - By - ALL RIGHTS RESERVED.

LOC	DIST	REVISIONS			26APR99	ME/TM
G	86	P	LTR	DESCRIPTION	DATE	OWN
		T1		REVISED PER ECO-11-004917	11MAR11	RK HMR



1 CIRCULAR MIL AREA RANGE: 20,800-33,100 CM  
 2 TIN PL 0.00381[.000150] MIN THK PER ASTM B 545



328142

B

A

328142  
 PART NO

THIS DRAWING IS A CONTROLLED DOCUMENT.		DWN	DK SCHRUM	02/28/90	<b>STE</b> TE Connectivity	
		CHK	MS FEHER	19/JAN/95		
DIMENSIONS: MM[INCHES]		TOLERANCES UNLESS OTHERWISE SPECIFIED:		APVD	NAME	
		0 PLC ± -		WJ VOCKROTH	108-30200	
		1 PLC ± -		PRODUCT SPEC		
		2 PLC ± 0.51[.020]		APPLICATION SPEC		
		3 PLC ± -		SIZE		
		4 PLC ± -		CAGE CODE		
		ANGLES ± ± -		DRAWING NO		
MATERIAL		FINISH		WEIGHT		RESTRICTED TO
ANNEALED COPPER		2		.015 LB		-
ASTM B-152				A2 00779 G-328142		
CUSTOMER DRAWING				SCALE	SHEET	REV
				4:1	1 of 1	T1