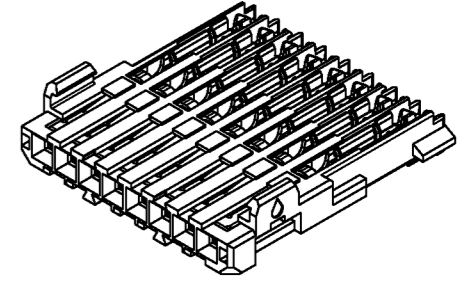
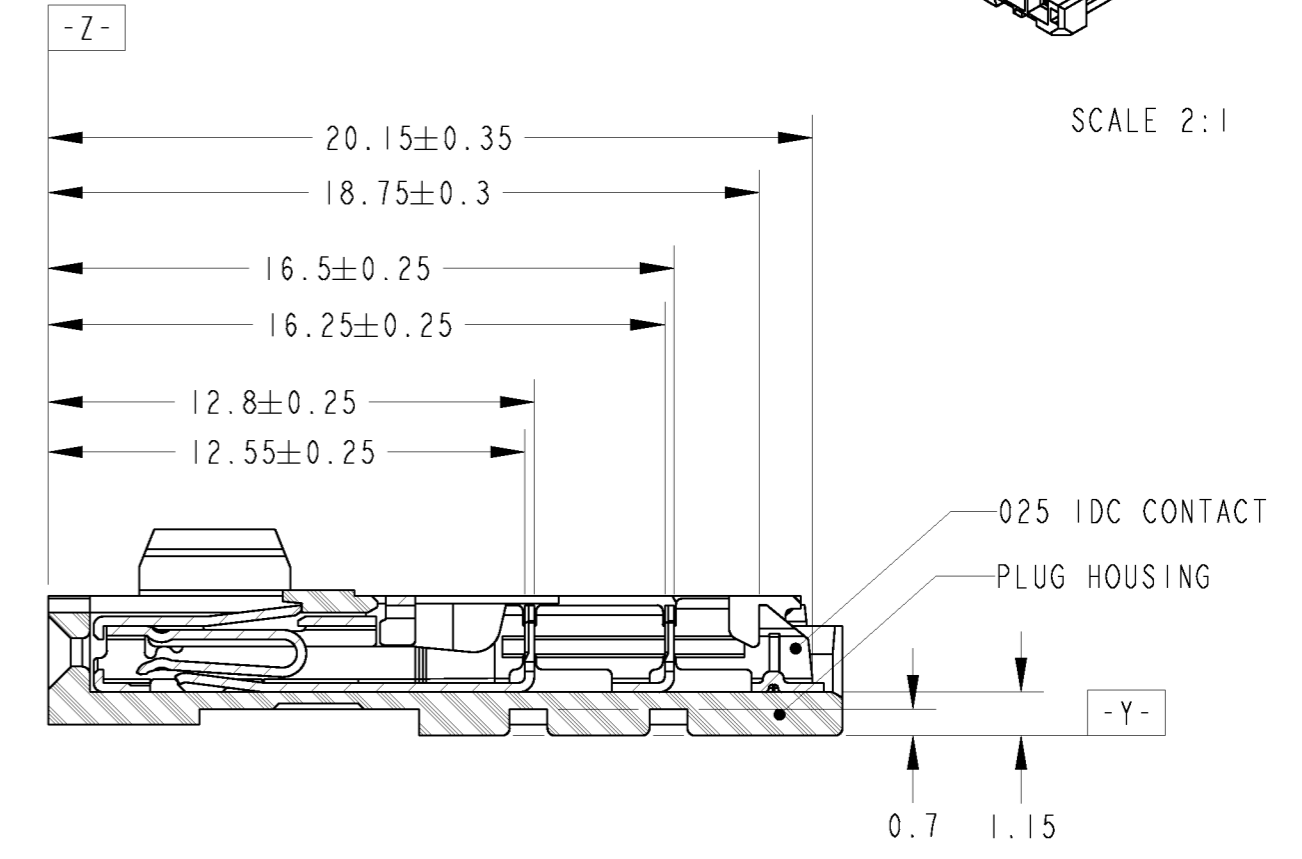
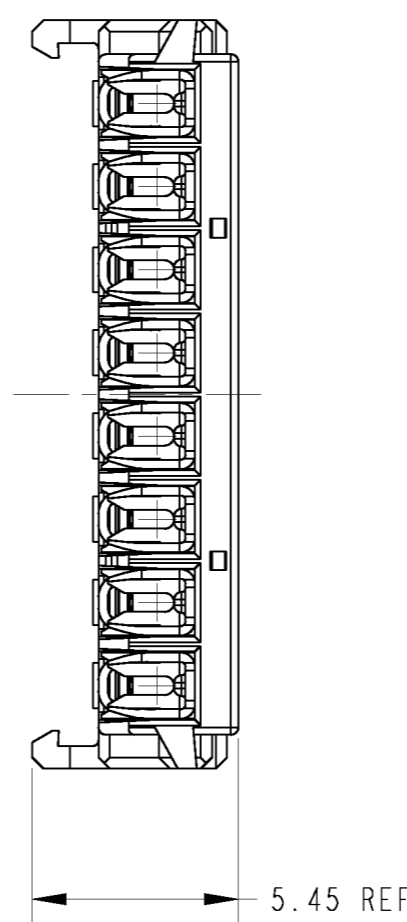
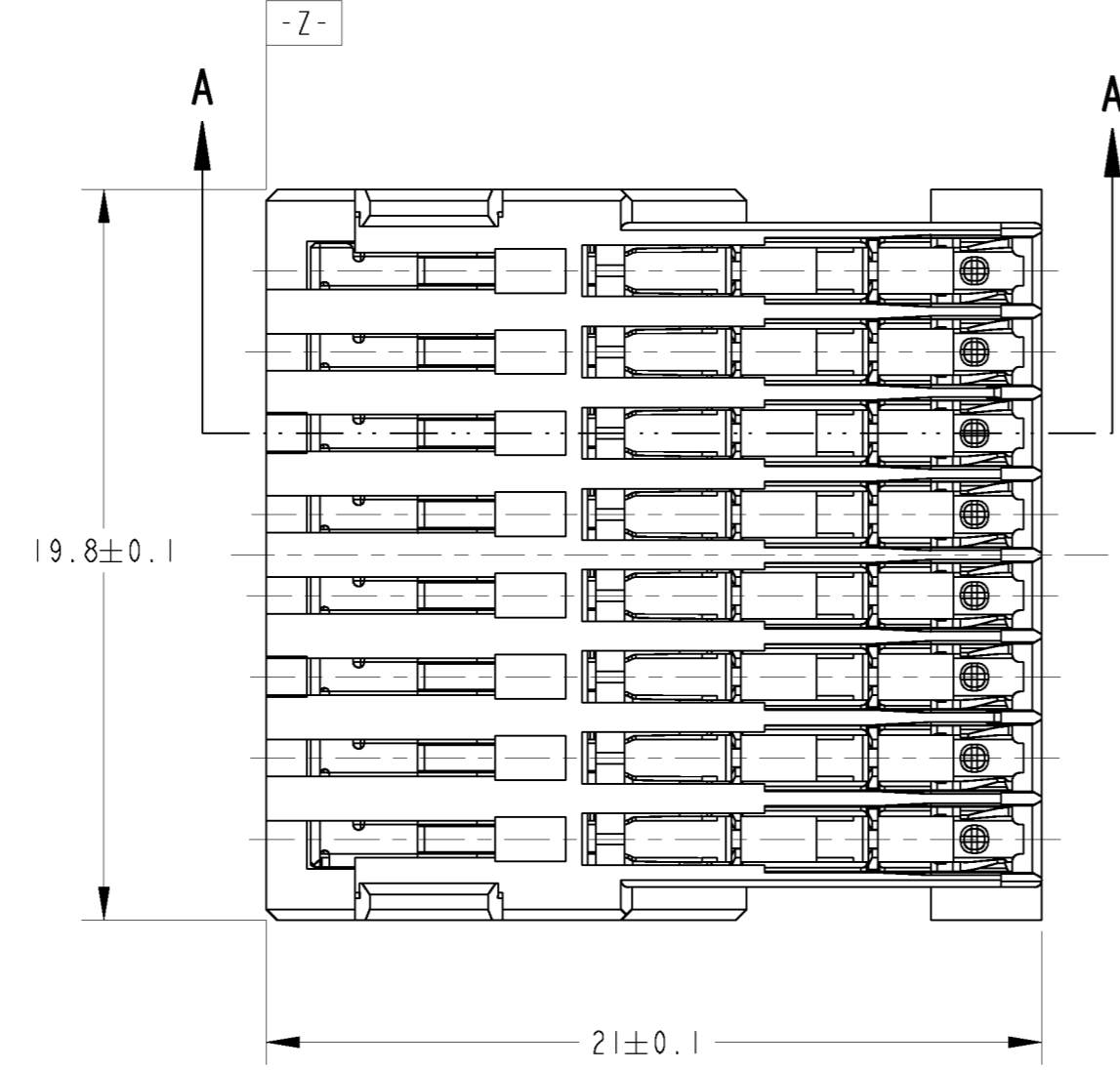
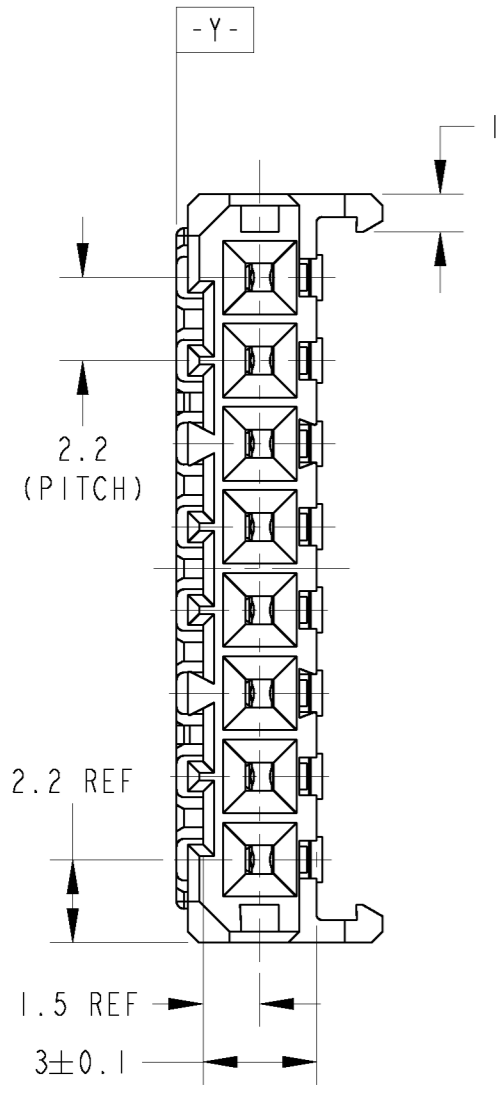


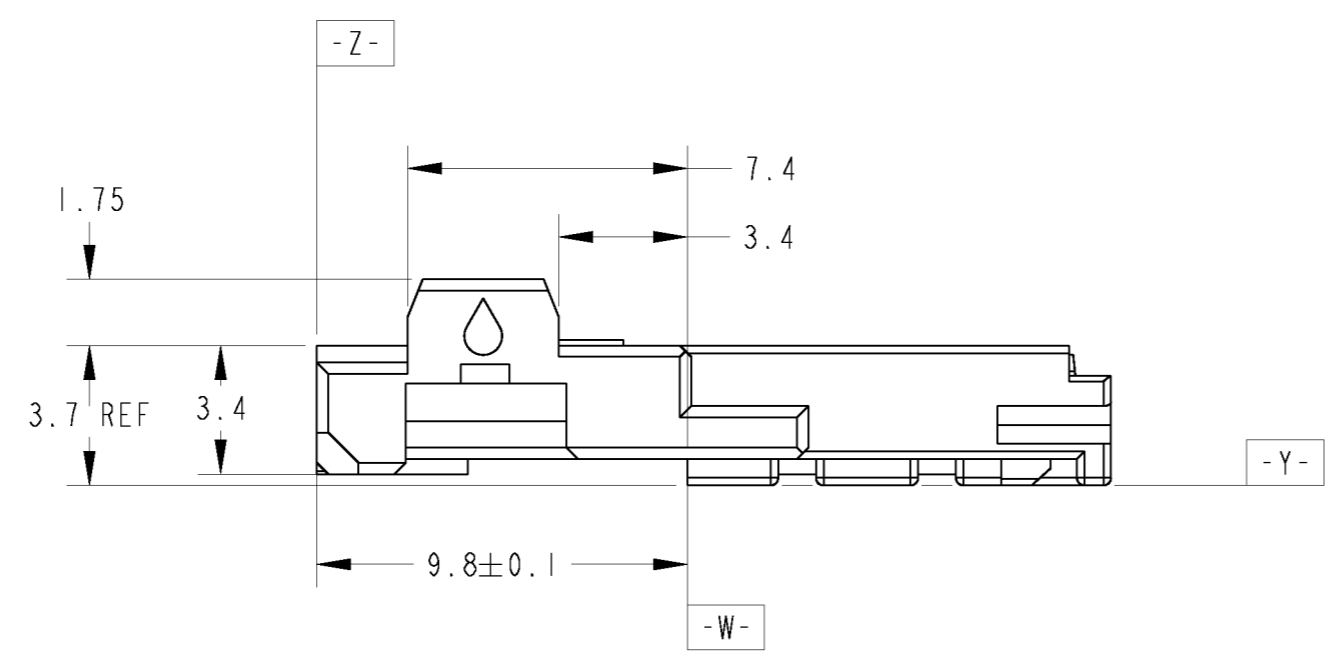
THIS DRAWING IS UNPUBLISHED. RELEASED FOR PUBLICATION 2011
 (C) COPYRIGHT 2011 ALL RIGHTS RESERVED.

LOC	DIST	REVISIONS					
J		P	LTR	DESCRIPTION	DATE	DWN	APVD
		P		REVISED PER ECO-11-005140	05APR2011	RK	HMR



SCALE 2:1

断面 A-A



- 取換説明書: 411-5912
 - 本品はロックハウジング型番 1318694を装着して使用する。
 - 嵌合相手型番: 1318382
1. INSTRUCTION SHEET: 411-5912
 2. PLUG HOUSING MUST BE USED WITH LOCK HOUSING
 P/N: 1318694
 3. PART NUMBER OF HOUSINGS TO BE MATED: 1318382

NATURAL	1318690-1
HOUSING COLOR	PART NUMBER

THIS DRAWING IS A CONTROLLED DOCUMENT.		DWN S. AMEMIYA	22FEB00	 TE Connectivity	
DIMENSIONS: 単位: 英 (mm)		CHK N. SAI	22FEB00		
TOLERANCES UNLESS OTHERWISE SPECIFIED: 一般公差: ±0.3		APVD N. SAI	22FEB00	NAME 8 POSITION PLUG ASSEMBLY 025 IDC CONNECTOR	
0-PLC ± 1-PLC ± 2-PLC ± 3-PLC ± 4-PLC ±		PRODUCT SPEC 108-5660		SIZE A2	
ANGLES ±3°		APPLICATION SPEC 114-5276		CAGE CODE 00779	
FINISH 材料 HSG: PBT CONT: Cu Alloy		WEIGHT 2.5g		DRAWING NO 1318690	
HSG: SEE TABLE CONT: POST TIN		CUSTOMER DRAWING		RESTRICTED TO -	
		SCALE 5:1		SHEET 1 OF 1	
				REV P	