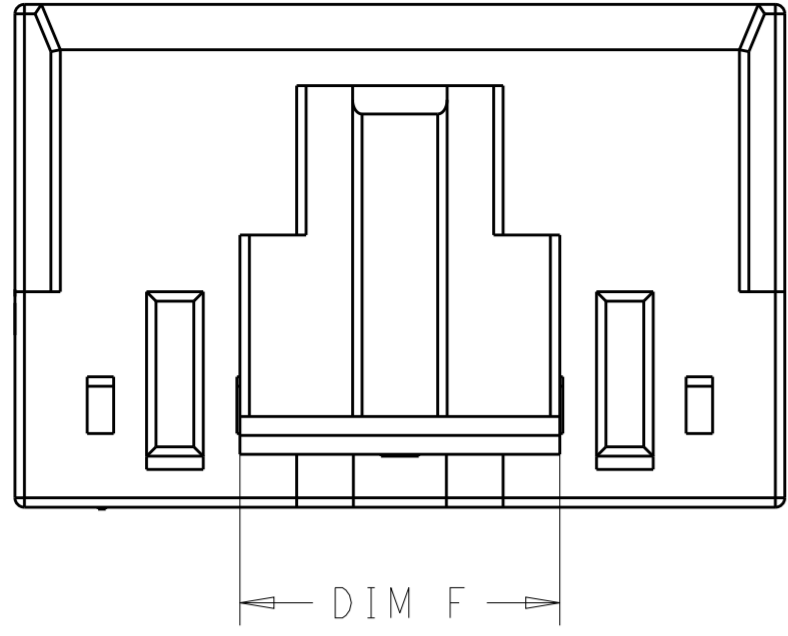


LOC		DIST		REVISIONS			
P	LTR	DESCRIPTION	DATE	DWN	APVD		
GP	00	B	REVISED PER ECR-14-007967	20JUN2014	NK	MS	

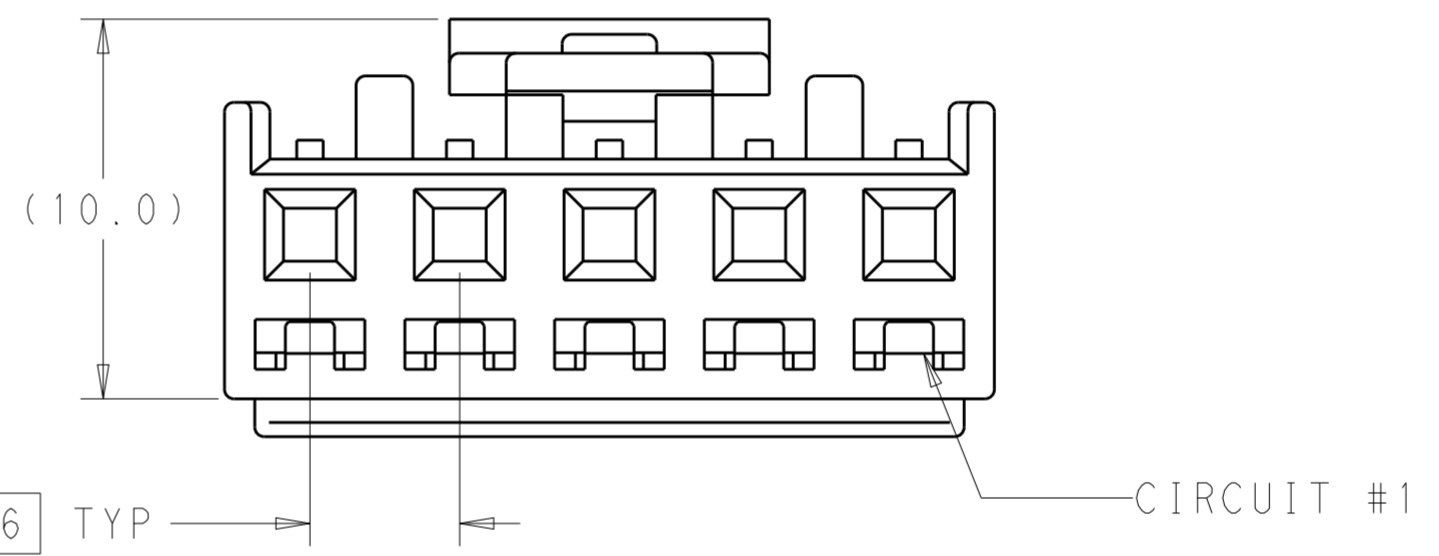
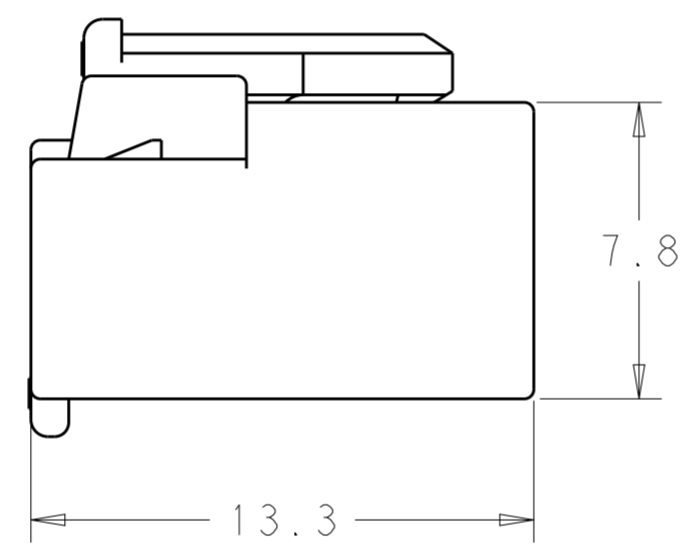
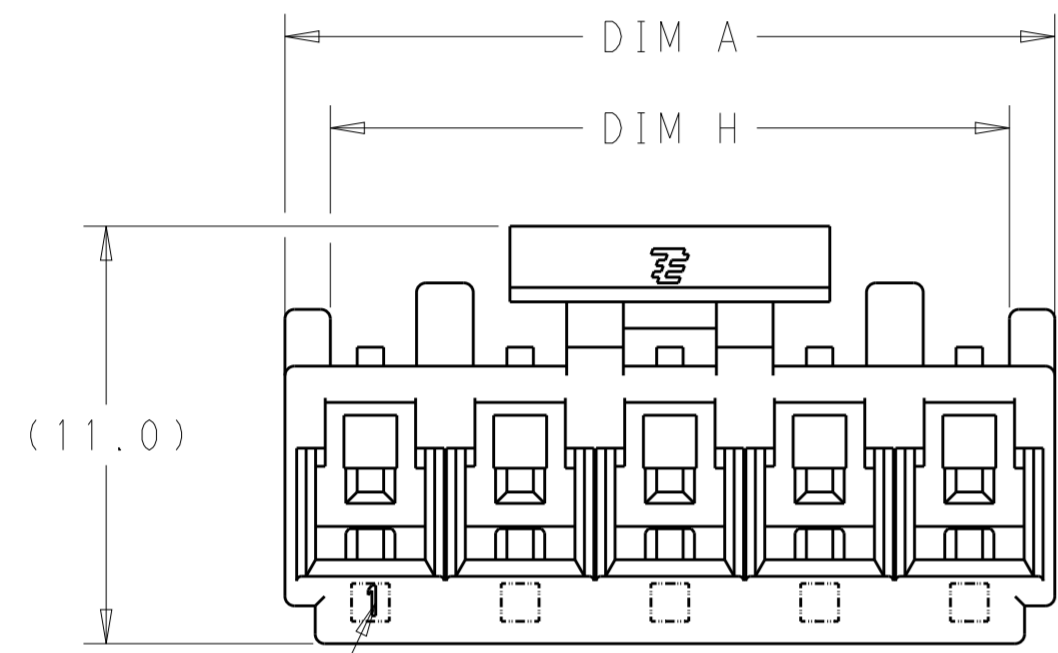


1 MATERIAL: NYLON, UL94V-0 FLAME RETARDENT, COLOR: GREEN

2 HOUSINGS TO USE "RETAINER":

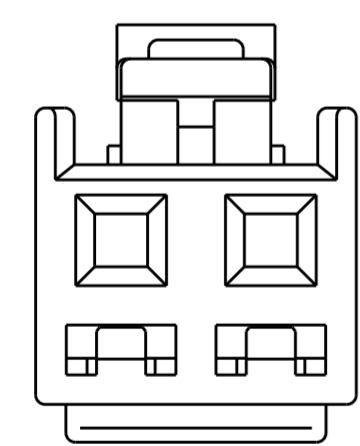
"BREAKAWAY RETAINER" P/N: 1-2132782-2 (12 POSITION),
 12 POSITION PART TO BE SEPERATED AT APPROPRIATE NOTCHES TO FIT
 2 POSITION THRU 11 POSITION HOUSINGS

"NORMAL RETAINER" P/N: X-1744544-X
 WHERE XX IS THE NUMBER OF POSITIONS.

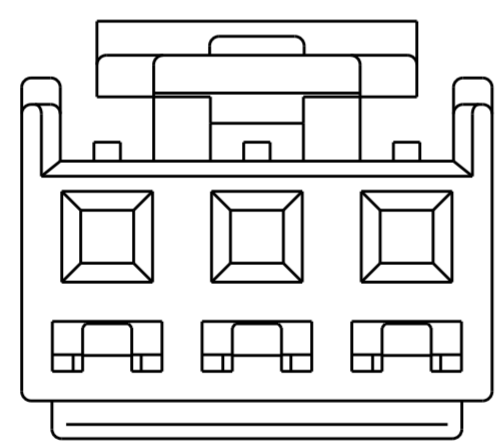


CIRCUIT #1

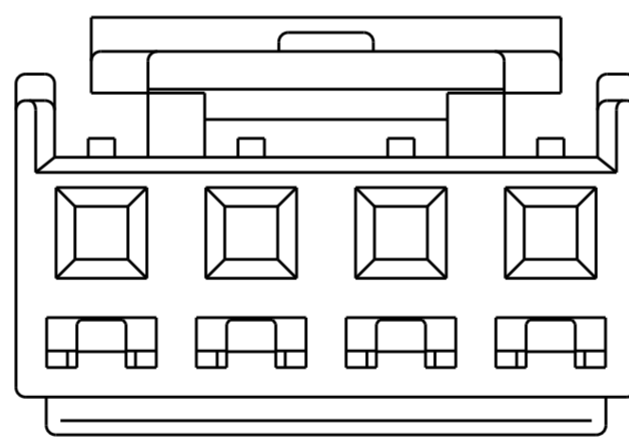
CIRCUIT #1



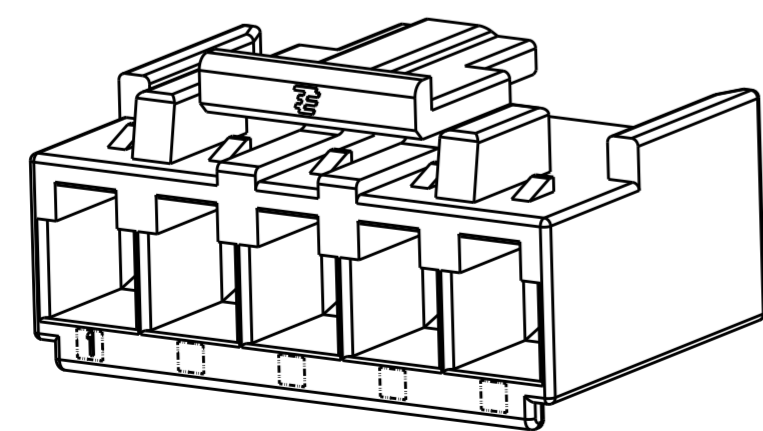
FRONT VIEW (2 POSITION)



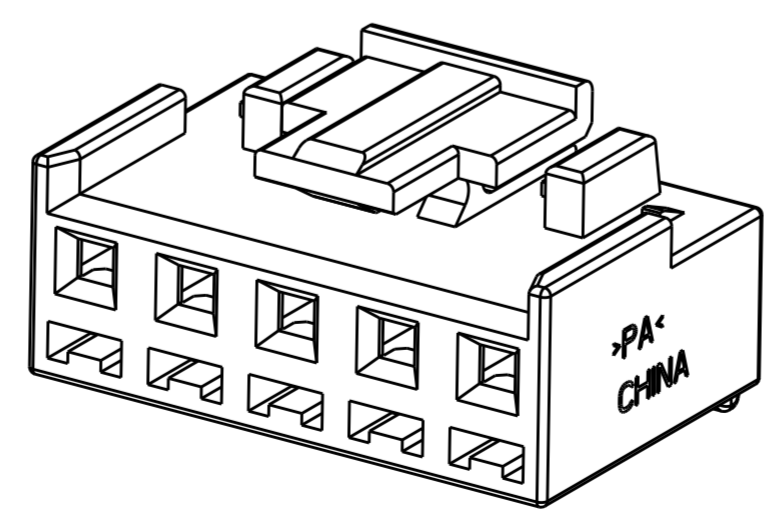
FRONT VIEW (3 POSITION)



FRONT VIEW (4 POSITION)



ISOMETRIC REAR VIEW (5 POSITION SHOWN)



ISOMETRIC MATING FACE VIEW (5 POSITION SHOWN)

45.68	12.42	48.08	12	1-1744495-2
41.72	8.46	44.12	11	1-1744495-1
37.76	12.42	40.16	10	1-1744495-0
33.80	8.46	36.20	9	1744495-9
29.84	12.42	32.24	8	1744495-8
25.88	8.46	28.28	7	1744495-7
21.92	12.42	24.32	6	1744495-6
17.96	8.46	20.36	5	1744495-5
14.36	12.42	16.40	4	1744495-4
10.40	8.46	12.44	3	1744495-3
6.44	4.50	8.48	2	1744495-2
H	F	A	NO OF POSN	PART NUMBER

THIS DRAWING IS A CONTROLLED DOCUMENT.

DIMENSIONS: mm	TOLERANCES UNLESS OTHERWISE SPECIFIED:	DWN KIRAN HOLAL 21AUG2012	TE Connectivity RECEPTACLE HOUSING, ECONOMY POWER II, 3.96 CENTERLINE W/ RETAINING FEATURES, GREEN
0 PLC ±-	1 PLC ±0.5	CHK MACE SAM 21AUG2012	
2 PLC ±0.30	3 PLC ±-	APVD MACE SAM 21AUG2012	
4 PLC ±-	ANGLES ±5°	FINISH	
MATERIAL		Customer Drawing	NAME: A200779 CAGE CODE: C-1744495 DRAWING NO: C-1744495 RESTRICTED TO: - SCALE: 5:1 SHEET 1 OF 1 REV B