

4008B

4-BIT BINARY FULL ADDER

DESCRIPTION – The 4008B is a 4-Bit Binary Full Adder with two 4-bit Data Inputs (A_0 – A_3 , B_0 – B_3); a Carry Input (C_0), four Sum Outputs (S_0 – S_3) and a Carry Output (C_4).

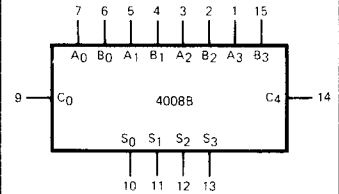
The 4008B uses full lookahead across 4-bits to generate the Carry Output (C_4). This minimizes the necessity for extensive "lookahead" and carry-cascading circuits.

- CARRY LOOKAHEAD BUFFERED OUTPUT
- EASILY CASCADED

PIN NAMES

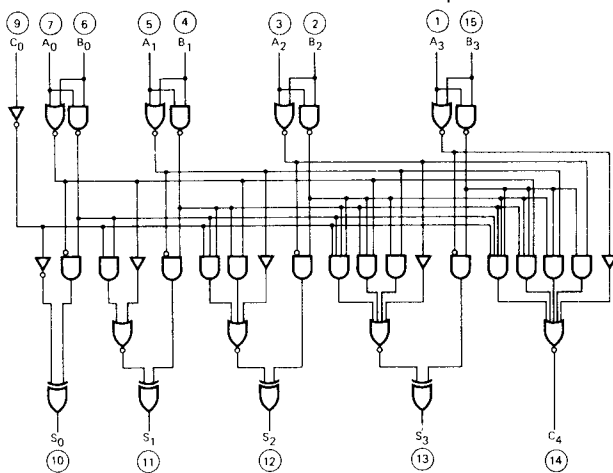
A_0 – A_3 , B_0 – B_3	Data Inputs
C_0	Carry Input
S_0 – S_3	Sum Outputs
C_4	Carry Output

LOGIC SYMBOL



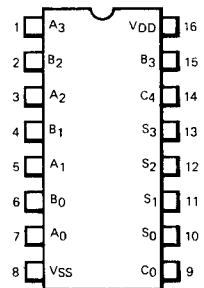
V_{DD} = Pin 16
 V_{SS} = Pin 8

LOGIC DIAGRAM



V_{DD} = Pin 16
 V_{SS} = Pin 8
 ○ = Pin Number

**CONNECTION DIAGRAM
 DIP(TOP VIEW)**



NOTE:
 The Flatpak version has the same pinouts (Connection Diagram) as the Dual In-line Package.

