

174930-1 ✓ ACTIVE

AMP | Multilock Connector System

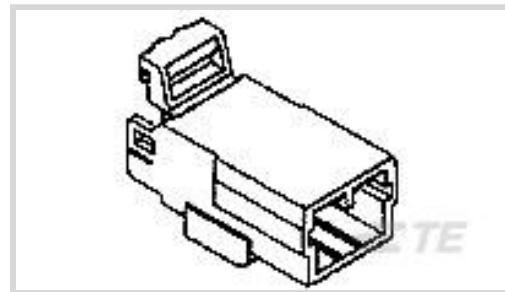
TE Internal #: 174930-1

PCB Mount Header, Wire-to-Wire, 6 Position, 3.5 mm [.137 in] Centerline, Fully Shrouded, Signal / Power, Natural, Multilock Connector System

[View on TE.com >](#)



Connectors > PCB Connectors > PCB Headers & Receptacles



Connector System: **Wire-to-Wire**

Number of Positions: **6**

Centerline (Pitch): **3.5 mm [.137 in]**

Sealable: **No**

Number of Rows: **1**

Features

Product Type Features

Hybrid Header	No
Connector Shape	Rectangular
PCB Connector Assembly Type	PCB Mount Header
Header Type	Fully Shrouded
Connector System	Wire-to-Wire
Sealable	No

Configuration Features

Number of Positions	6
Number of Rows	1

Electrical Characteristics

Nominal Voltage Architecture	12 V
------------------------------	------

Body Features

Primary Product Color	Natural
-----------------------	---------

Contact Features

Contact Size	1.8mm
Contact Type	Tab
Mating Tab Width	1.8 mm[.07 in]
Mating Tab Thickness	.64 mm[.025 in]



Contact Current Rating (Max)	10 A
------------------------------	------

Mechanical Attachment

Mating Alignment	With
------------------	------

Housing Features

Centerline (Pitch)	3.5 mm [.137 in]
--------------------	------------------

Usage Conditions

Operating Temperature Range	-30 – 105 °C
-----------------------------	--------------

Operation/Application

Circuit Application	Power, Signal
---------------------	---------------

Industry Standards

UL Flammability Rating	UL 94HB
------------------------	---------

Other

Interface Number	174923
------------------	--------

Product Compliance

[For compliance documentation, visit the product page on TE.com>](#)

EU RoHS Directive 2011/65/EU	Compliant
------------------------------	-----------

EU ELV Directive 2000/53/EC	Compliant
-----------------------------	-----------

China RoHS 2 Directive MIIT Order No 32, 2016	No Restricted Materials Above Threshold
---	---

EU REACH Regulation (EC) No. 1907/2006	Current ECHA Candidate List: JUNE 2023 (235) Candidate List Declared Against: JAN 2023 (233) Does not contain REACH SVHC
--	--

Halogen Content	Low Halogen - Br, Cl, F, I < 900 ppm per homogenous material. Also BFR/CFR/PVC Free
-----------------	---

Solder Process Capability	Not applicable for solder process capability
---------------------------	--

Product Compliance Disclaimer


This information is provided based on reasonable inquiry of our suppliers and represents our current actual knowledge based on the information they provided. This information is subject to change. The part numbers that TE has identified as EU RoHS compliant have a maximum concentration of 0.1% by weight in homogenous materials for lead, hexavalent chromium, mercury, PBB, PBDE, DBP, BBP, DEHP, DIBP, and 0.01% for cadmium, or qualify for an exemption to these limits as defined in the Annexes of Directive 2011/65/EU (RoHS2). Finished electrical and electronic equipment products will be CE marked as required by Directive 2011/65/EU. Components may not be CE marked. Additionally, the part numbers that TE has identified as EU ELV compliant have a maximum concentration of 0.1% by weight in homogenous materials for lead, hexavalent chromium, and mercury, and 0.01% for cadmium, or qualify for an exemption to these limits as defined in the Annexes of Directive 2000/53/EC (ELV). Regarding the REACH Regulation, the information TE provides

on SVHC in articles for this part number is based on the latest European Chemicals Agency (ECHA) 'Guidance on requirements for substances in articles' posted at this URL: <https://echa.europa.eu/guidance-documents/guidance-on-reach>

Compatible Parts



TE Part # CAT-M9194-CH8172
MULTILOCK, CONNECTOR HOUSING



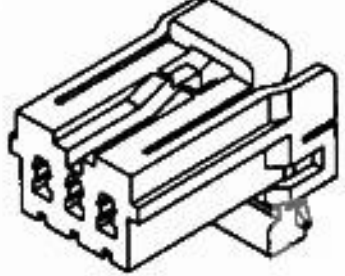
TE Part # CAT-M9194-T273
MULTILOCK, RECEPTACLE AND TAB

TE Part # 173633-4
070 MLC TAB CONT 24-22 AS

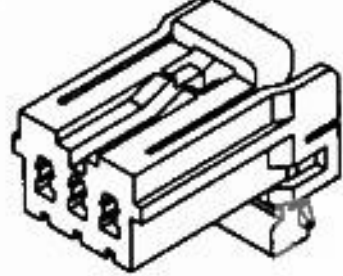
TE Part # 173645-4
070 MLC TAB CONT 20-16 AS



TE Part # 175029-1
070 TAB CONTACT L/P 24-22



TE Part # 174923-5
070 MLC W-W PLUG HSG 6P BLUE




TE Part # 174923-7
070 MLC PLUG 6P SGL YELLOW



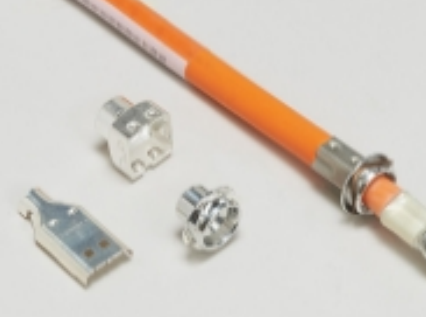
TE Part # 175030-3
070 TAB CONTACT L/P

TE Part # 173645-5
070 TAB NON SEALED TIN

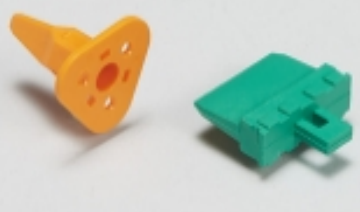
Also in the Series | Multilock Connector System




Automotive Connector Caps & Covers
(17)



Automotive Connector EMC Shielding
(1)



Automotive Connector Locks & Position Assurance
(2)



Automotive Housings(603)



Automotive Terminals(141)



Connector Seals & Cavity Plugs(2)



Insertion & Extraction Tools(6)

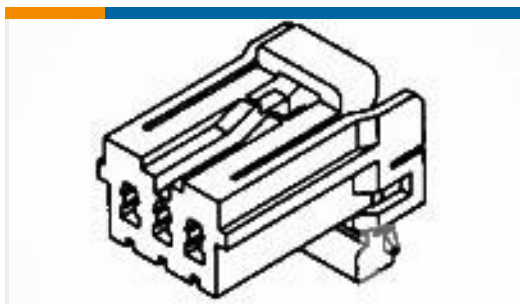


Other Automotive Connector Accessories(14)



PCB Headers & Receptacles(142)

Customers Also Bought



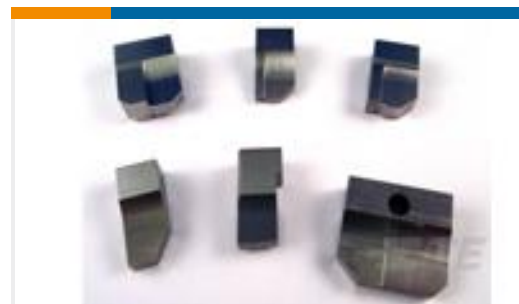
TE Part #1-174923-1
070 MLC W-W PLUG HSG 6P F/A



TE Part #1803018-3
CRIMPER, INSUL O



ANVIL REPRESENTATION ONLY
TE Part #1803426-2
ANVIL, COMBINATION, NO JOG, END FEED



TE Part #2-1633129-2
ANVIL, COMBINATION .062



CRIMPER REPRESENTATION ONLY
TE Part #2-1803224-4
CRIMPER,WIRE F



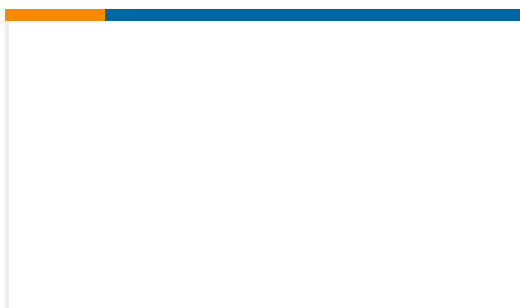
ANVIL REPRESENTATION ONLY
TE Part #2217984-3
ANVIL



TE Part #2837157-1
OCEAN_2.0_Applicator-S-110F1550



TE Part #EM58926001
RBK-VWS-125-NR1-X-30MM



TE Part #5-929008-2
MQS1MM BU-KONT 90GR



TE Part #CD41583001
55E0211-0.50-0(B01)

Documents



Product Drawings

[070 MLC W-W CAP HSG 6P SGL](#)

English

CAD Files

[3D PDF](#)

English

Customer View Model

[ENG_CVM_174930-1_D.2d_dxf.zip](#)

English

Customer View Model

[ENG_CVM_174930-1_D.3d_igs.zip](#)

English

Customer View Model

[ENG_CVM_174930-1_D.3d_stp.zip](#)

English

By downloading the CAD file I accept and agree to the [Terms and Conditions](#) of use.

Product Specifications

[Product Specification](#)

Japanese