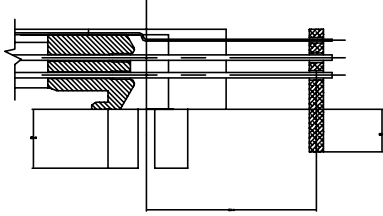


FCI CONFIDENTIAL

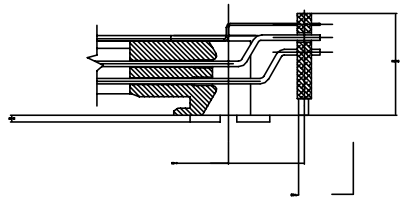
FCI

This document is the property of and embodies CONFIDENTIAL and PROPRIETARY information of FCI. No part of this information shall be disclosed in any way or to any other person without the written consent of FCI. Copyright FCI.

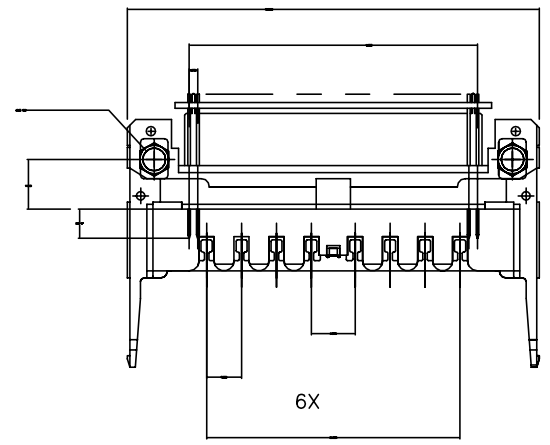
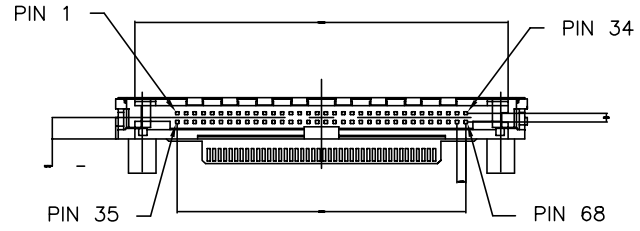
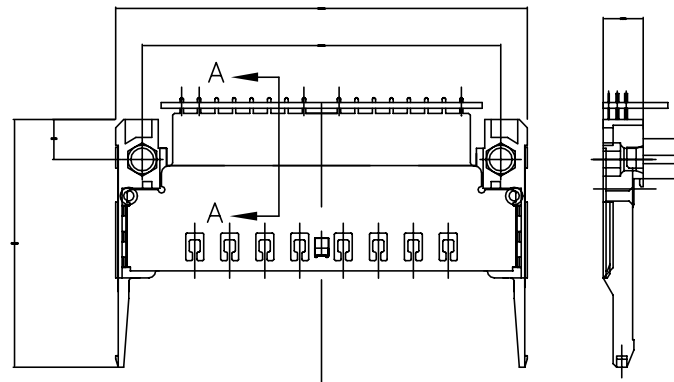
PRODUCT NO.	DIM "X"		
71249-XXXX/XXXLFL	4.25±0.1	3.5±0.1	5±0.1
	OTHERS	36,67	1,17,34, 35,51,68



SECTION A-A
FOR ALL OTHER VERSIONS
SCALE 2/1



SECTION A-A
71249-0000/0000LF/0006/0006LF ONLY!
SCALE 2/1



- 71249-X X XX XX
- LEAD FREE OPTION : LF
 - STAND-OFF 00: 0.0mm
 - 06: 0.6mm
 - 22: 2.2mm
 - 43: 4.3mm
 - 50: 5.0mm
 - DECK POSITION: 0 CLOSEST TO PCB
 - 5 FARTHEST FROM PCB
 - TOP MOUNT: 0
 - BOTTOM MOUNT: 5

NOTES:

- 1 MATERIAL
HOUSING: HIGH TEMPERATURE THERMOPLASTIC UL94V-0 BLACK
PIN: PHOSPHOR BRONZE
- 2 FINISH
UNDER PLATING : 0.5µm MIN. Ni
CONTACT AREA : 0.076 µm MIN. GOLD
SOLDER TAIL(TIN LEAD OPTION) : 2.5µm MIN. Sn-Pb
SOLDER TAIL(LEAD FREE OPTION) : 2.5µm MIN. PURE TIN
- 3 MATING RECEPTACLE: 73277-101000/101000LF
- 4 SEE TA-1050 FOR P.C.B. LAYOUT.
- 5 RECOMMENDED HOLD DOWN: 2mm SCREWS (95121) AND HEX NUTS (92869).
RECOMMENDED SCREW TORQUE: 1.0 TO 1.5 MAX in-lbs (1.2-1.7 cm-kgs)
- 6 IF LEAD FREE P/N.THE HOUSING WILL WITHSTAND EXPOSURE TO 260°C PEAK TEMPERATURE FOR 10 SECONDS IN A WAVE SOLDER APPLICATION WITH A 1.00MM MINIMUM THICK CIRCUIT BOARD.
- 7 IF LEAD FREE P/N.THE PRODUCT MEETS EUROPEAN UNION DIRECTIVES AND OTHER COUNTRY REGULATIONS AS DESCRIBED IN GS-22-008
- 6 LEAD FREE P/N PACKAGING MEETS GS-14-920 SPECIFICATION
- 7 PRODUCT SPEC:110-263

71249-0640/0640LF	0	8.6	6.7
71249-0140/0140LF	0	2.8	-0.3
71249-0550/0550LF	0	9.6	6.55
71249-0050/0050LF	5.0	3.8	-0.3
71249-0543/0543LF	0	8.9	6.55
71249-0043/0043LF	4.3	3.1	-0.3
71249-0540/0540LF	0	8.6	6.55
71249-0040/0040LF	4.0	2.8	-0.3
71249-0522/0522LF	0	6.8	7.85
71249-0520/0520LF	0	6.6	7.85
71249-0200/0200LF	0	-1.4	2.8
71249-0028/0028LF	2.8	1.8	1.0
71249-0022/0022LF	2.2	1.0	1.0
71249-0022A/0022ALF	2.2	1.0	1.0
71249-0020/0020LF	2.0	0.8	1.0
71249-0506/0506LF	0	5.2	12.35
71249-0006/0006LF	0.6	-0.6	5.5
71249-0500S/0500SLF	0	4.6	12.35
71249-0000S/0000SLF	0	-1.2	5.5
71249-0500/0500LF	0	4.6	12.35
71249-0000/0000LF	0	-1.2	5.5

PRODUCT NO.	DIM K	DIM L	DIM M
		±0.10	±0.10

mat'l. code	surface	tolerance	projection	product family
	ISO 1302	ISO 406 ISO 1101	ISO 1101	PCMCIA
ltr ecn no dr date	tolerances unless otherwise specified			title
L N05-0116 WB 04/26/05	angles	.X±.3	MM	CARBUS HEADER ASS'Y W/ VERTICAL BOARD
M N06-0220 MZ 11/07/06	linear	.XX±.13	MM	
N ELX-N-011401 ZK 04/02/12	±2'	.XXX±.051	scale	
G T10180 WL 07/02/01	dr S.DJESTERHOEFT	8/3/95	FCI	dwg no
H T04-0273 WL 06/28/04	engr J.SPICKLER	8/3/95		71249
J T04-0316 WL 07/12/04	chr J.SPICKLER	8/3/95		sheet 1 of 2
K N05-0034 WB 02/16/05	appd J.SPICKLER	8/3/95		size A4
sheet revision	N N			type CUSTOMER
index sheet	1 2			Drawing

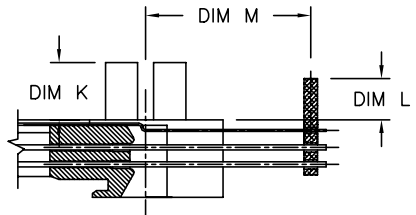
FCI CONFIDENTIAL

FCI

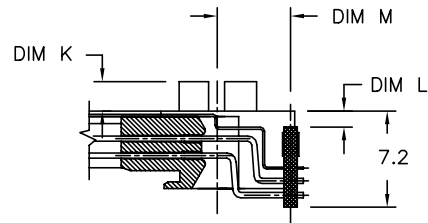
This document is the property of and embodies CONFIDENTIAL and PROPRIETARY information of FCI. No part of this information shown on this document may be used in any way or disclosed to others without the written consent of FCI.

FCIconnect.com

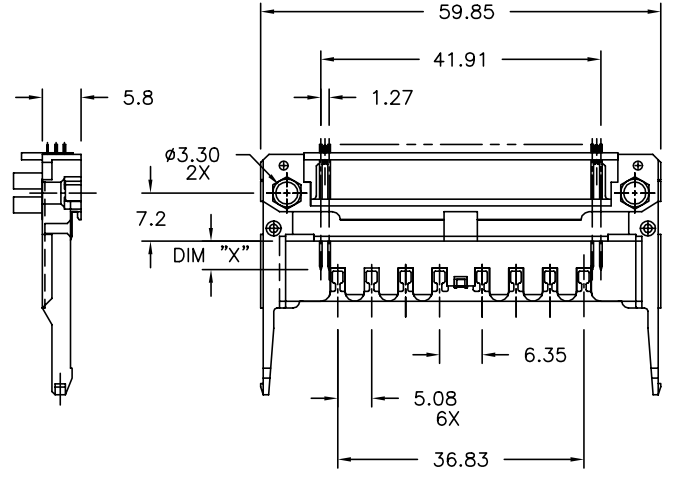
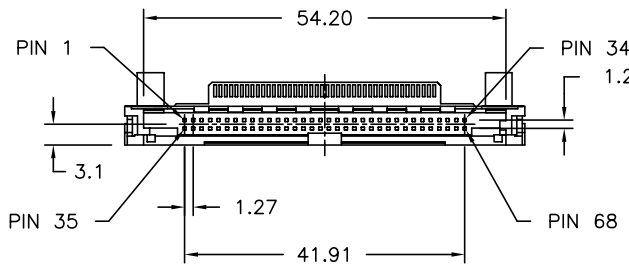
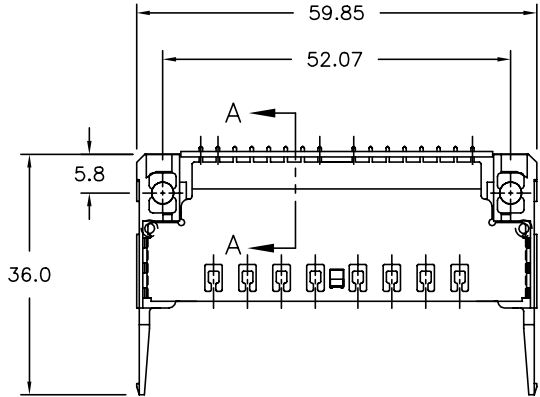
PRODUCT NO.	DIM "X"		
71249-XXXX/XXXXLF	4.25±0.1	3.5±0.1	5±0.1
	OTHERS	36,67	1,17,34,35,51,68



SECTION A-A
FOR ALL OTHER VERSIONS
SCALE 2/1



SECTION A-A
71249-5022/5022LF ONLY!
SCALE 2/1



- 71249-X XX LF
- LEAD-FREE :LF
 - STAND-OFF 00: 0.0mm
 - 22: 2.2mm
 - 43: 4.3mm
 - 50: 5.0mm
 - DECK POSITION: 0 CLOSEST TO PCB
 - 5 FARTHEST FROM PCB
 - TOP MOUNT: 0
 - BOTTOM MOUNT: 5

- NOTES:
- MATERIAL
HOUSING: HIGH TEMPERATURE THERMOPLASTIC UL94V-0 BLACK
PIN: COPPER ALLOY
 - FINISH
UNDER PLATING : 0.5µm MIN. Ni
CONTACT AREA : 0.076 µm MIN. GOLD
CONTACT AREA : 0.076 µm MIN. GOLD (FOR***-MLF)
SOLDER TAIL(TIN LEAD OPTION) : 2.5µm MIN. Sn-Pb
SOLDER TAIL(LEAD FREE OPTION) : 2.5µm MIN. PURE TIN
 - MATING RECEPTACLE: 73277-101000/101000LF
 - SEE TA-1050 FOR P.C.B. LAYOUT.
 - RECOMMENDED HOLD DOWN: 2mm SCREWS (95121) AND HEX NUTS (92869).
RECOMMENDED SCREW TORQUE: 1.0 TO 1.5 MAX in-lbs (1.2-1.7 cm-kgs).
 - IF LEAD FREE P/N.THE HOUSING WILL WITHSTAND EXPOSURE TO 260°C PEAK TEMPERATURE FOR 10 SECONDS IN A WAVE SOLDER APPLICATION WITH A 1.00MM MINIMUM THICK CIRCUIT BOARD.
 - IF LEAD FREE P/N.THE PRODUCT MEETS EUROPEAN UNION DIRECTIVES AND OTHER COUNTRY REGULATIONS AS DESCRIBED IN GS-22-008
 - LEAD FREE P/N PACKAGING MEETS GS-14-920 SPECIFICATION
 - PRODUCT SPEC:110-263

71249-5050MLF	5.0	3.8	-0.3
71249-5622/5622LF	0	6.6	12.35
71249-5122/5122LF	2.2	0.81	5.5
71249-5550/5550LF	0	9.6	6.55
71249-5050/5050LF	5.0	3.8	-0.3
71249-5543/5543LF	0	8.9	6.55
71249-5043/5043LF	4.3	3.1	-0.3
71249-5040/5040LF	4.0	2.6	-0.3
71249-5522/5522LF	0	6.8	12.35
71249-5022/5022LF	2.2	1.0	5.5

0.0mm STAND-OFF IS NOT AVAILABLE

PRODUCT NO.	DIM K	DIM L ±0.10	DIM M ±0.10
-------------	-------	----------------	----------------

mat'l. code	surface ISO 1302	tolerance ISO 406 ISO 1101	projection 1:1	product family PCMCIA
ltr ecn no dr date	tolerances unless otherwise specified			title CARBUS HEADER ASS'Y W/ VERTICAL BOARD
N	angles	.X±.3	MM	dwg no 71249
	linear	.XX±.13	←→	sheet 2 of size A4
	±2'	.XXX±.051	scale	type CUSTOMER Drawing
dr	S.DUESTERHOEFT	8/3/95	FCI	
engr	J.SPICKLER	8/3/95		
chr	J.SPICKLER	8/3/95		
appd	J.SPICKLER	8/3/95		
sheet index	revision sheet			