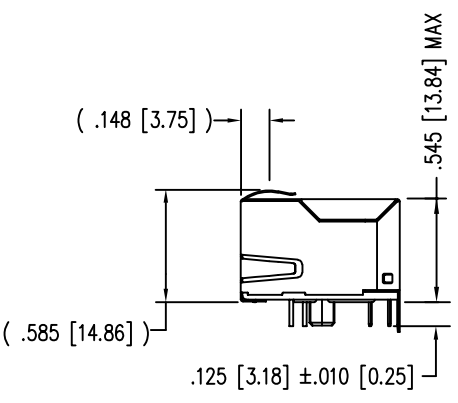
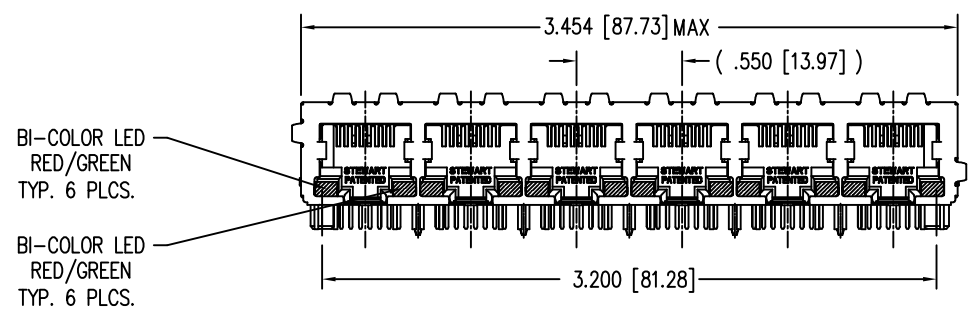


| DATE | REV | ECN | APP'D. BY |
|----------|-----|-------|-----------|
| 3-16-16 | A3 | 10618 | TRM |
| 11-7-16 | A4 | 10812 | TRM |
| 10-14-21 | A5 | 11868 | BTS |
| 02-15-22 | A6 | 11935 | BTS |

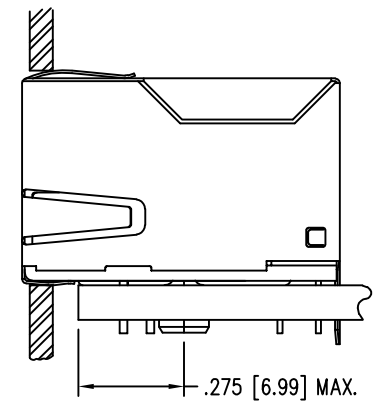
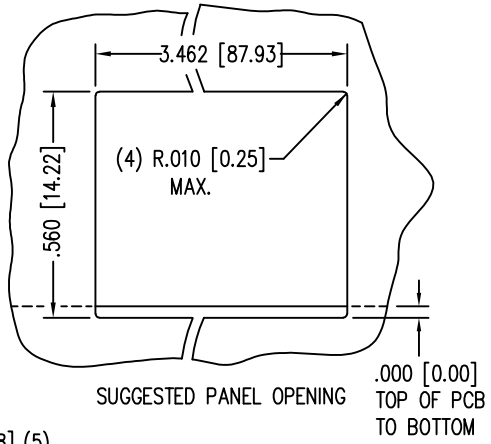
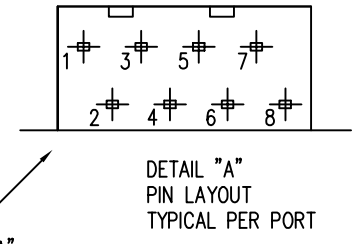
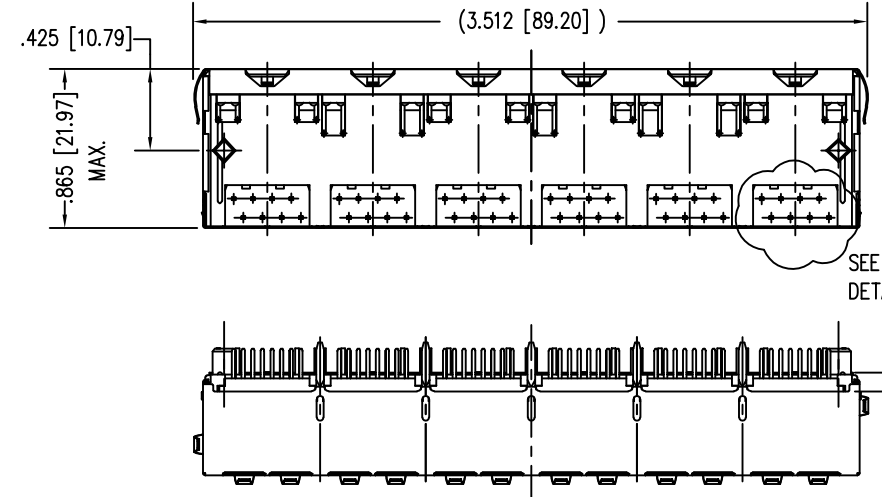


| LED SPECIFICATIONS | | | | |
|--------------------|-------|-----------------------|-------------------------|------------|
| BI-COLOR LED | | FORWARD VOLTAGE (MAX) | * FORWARD VOLTAGE (TYP) | WAVELENGTH |
| RED/GREEN | RED | 2.5 V | 2.0 V | 625 nm |
| | GREEN | 2.5 V | 2.2 V | 565 nm |

* WITH A FORWARD CURRENT OF 20 mA (TYP)

B

B

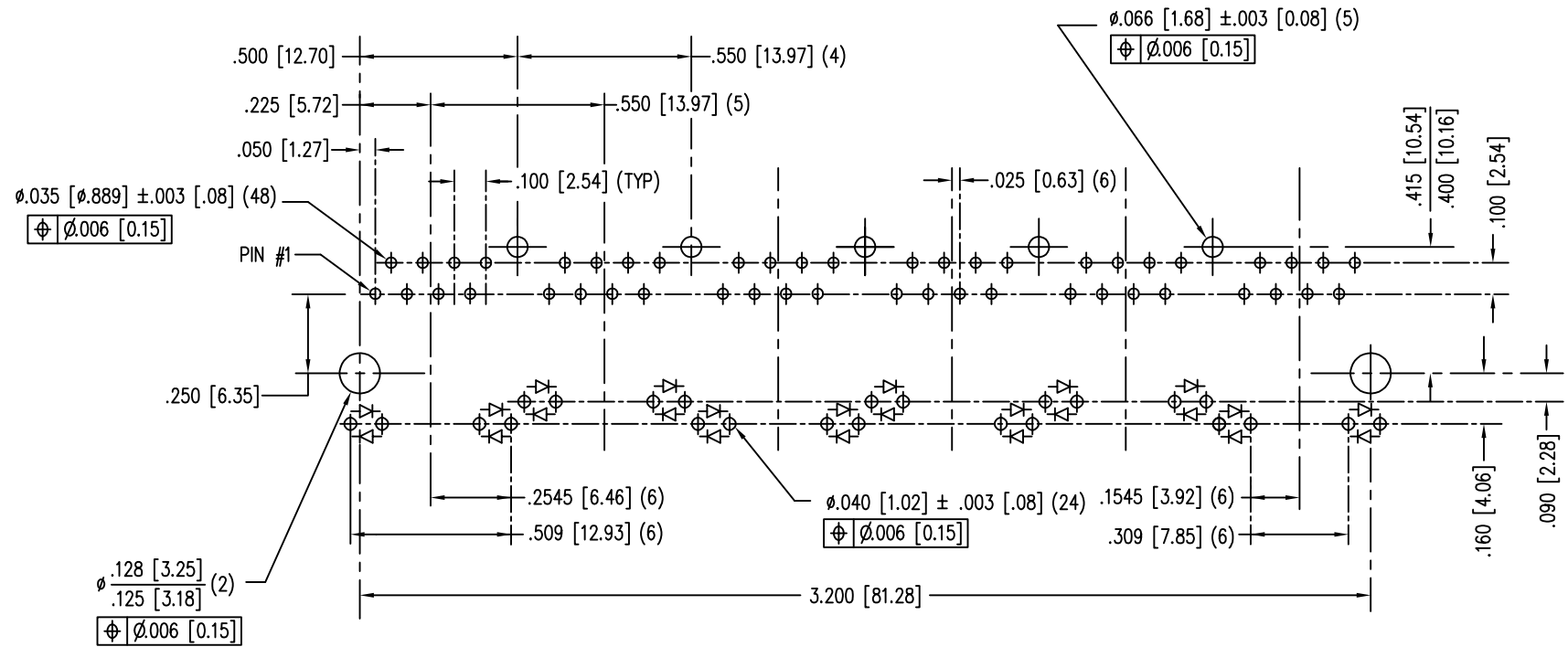


NOTES:

- CONNECTOR MATERIALS:
BI-COLOR LEDs: DIFFUSED, PLASTIC COVER
HOUSING: THERMOPLASTIC UL94 V-0
CONTACTS/SHIELD: COPPER ALLOY
SHIELD PLATING: NICKEL OR TIN
CONTACT PLATING: SELECTIVE GOLD IN CONTACT AREA
SEE CHART FOR PART NUMBER
- FOR PRODUCT SPECIFICATIONS SEE PRO22-01.
- DIMENSIONS AND TOLERANCES COMPLY WITH TIA-1096 STANDARD.
- THE SUGGESTED PANEL OPENING IS INTENDED TO GIVE USER THE ABILITY TO HAVE REASONABLE JACK/PANEL CLEARANCES, YET MAINTAIN GROUNDING CAPABILITY. THESE VARIABLES CAN BE ADJUSTED IN EITHER DIRECTION BUT MAY CARRY SOME CONSEQUENCES IN THE FORM OF LOWER MATING FORCES OR TIGHTER ASSEMBLY TOLERANCES.

A

A



| | |
|--------------------------------|--------------|
| 30 MICRO-INCHES [0.76um] | SS74800-110F |
| CONTACT PLATING IN MATING AREA | PART NUMBER |

| | |
|--|---|
| THIRD ANGLE PROJECTION | <p>1118 Susquehanna Trail South Glen Rock, PA 17327-9199 (717) 235-7512 http://www.stewartconnector.com</p> |
| DO NOT SCALE DRAWING DRAWING IS SUBJECT TO CHANGE WITHOUT NOTICE | |
| DIMENSIONS: INCHES [METRIC] | TITLE: EIGHT CONTACT, EIGHT POSITION EMI-RFI ONE PIECE SHIELDED ESD GROUNDED, 6 PORT PCB HARMONICA LED JACK PAC |
| UNLESS OTHERWISE SPECIFIED TOLERANCES ARE ±.005 [0.13] ANGLES ARE ± 1° | DRN BY: TRM DATE: 6-8-12 |
| SHEET NO. 1 OF 1 | APPD BY: DHG DATE: 6-11-12 |
| | DWG NO. CT740203F REV. A6 |

