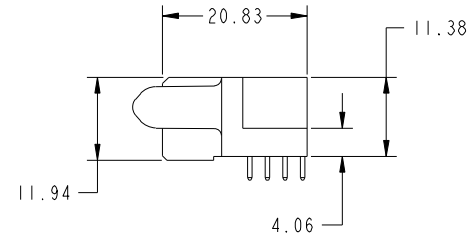
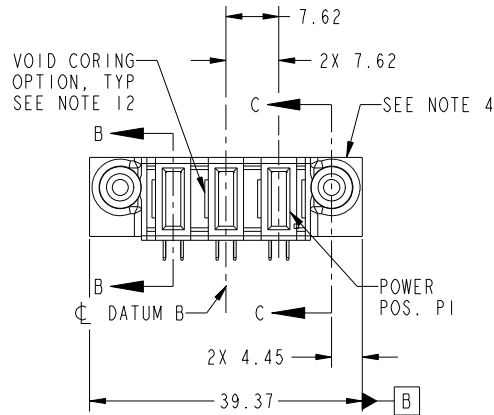


Tous droits strictement reserves. Reproduction ou communication a des tiers interdite sous quelque forme que ce soit sans autorisation écrite du propriétaire. Propriete de c FCI. Droits de reproduction FCI.



All rights strictly reserved. Reproduction or issue to third parties in any form whatever is not permitted without written authority from the proprietor. Property of FCI. Copyright FCI.

PRODUCT NO. 51915-209-- NOTE 3	POWER				
	E2	P3	P2	P1	E1



CODE	DIM "M" MATING LENGTH	CONTACT TYPE
PA	[1.07]	POWER

mat'l code SEE NOTE 2				tolerances unless otherwise specified		CUSTOMER		
ltr	ecn no.	dr	date	linear	0.X ± 0.5	COPY	www.fciconnect.com	
A	DG09-0198	JW	06/09/09	angles	0.XX ± 0.25	projection	title 3ACP R/A SOLDER RECEPTACLE	
				dr	0.XXX ± 0.1		product family	PwrBlade
				enr	0° ± 2°	MIM	size	code
				chr	JULIA WANG 06/09/09	scale	dwg no	213
				appd	JEROME CHEN 06/09/09	1:1	51915-209	sheet
					GARY HSIEH 06/09/09			1 of 4
					JOSEPH HSIA 06/09/09			
sheet index	revision sheet	A	A	A	A			
		1	2	3	4			
							cage code	22526

Pro/E

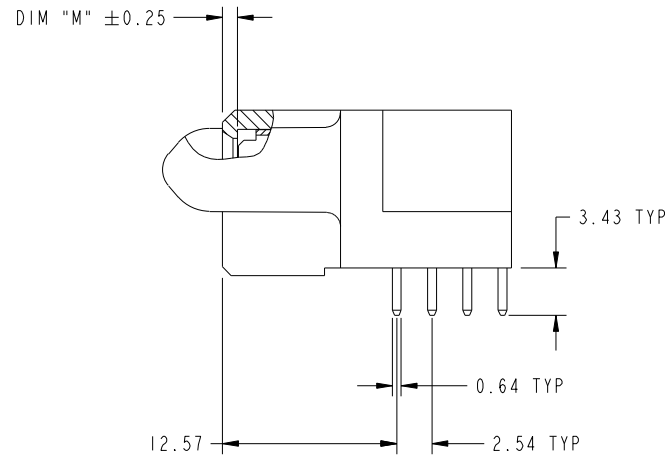
cage code 22526

Tous droits strictement reserves. Reproduction ou communication a des tiers interdite sous quelque forme que ce soit sans autorisation écrite du propriétaire. Propriete de c FCI. Droits de reproduction FCI.

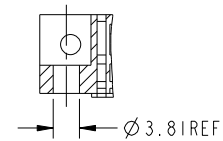


All rights strictly reserved. Reproduction or issue to third parties in any form whatever is not permitted without written authority from the proprietor. Property of FCI. Copyright FCI.

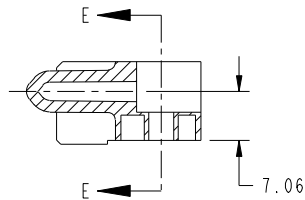
PRODUCT NUMBER
51915-209--
NOTE 3



BROKEN-OUT SECTION B-B
SCALE 2:1



PARTIAL SECTION E-E



SECTION C-C

mat'l code		SEE NOTE 2		tolerances unless otherwise specified		CUSTOMER		 www.fciconnect.com	
ltr	ecn no.	dr	date	linear	0.X ±0.5	COPY		 title 3ACP R/A SOLDER RECEPTACLE	product family PwrBlade code size dwg no 213 scale 1:1 A 51915-209 sheet 2 of 4
A					0.XX ±0.25	 MIM			
					0.XXX ±0.1	scale 1:1			
				angles	0° ±2°				
		dr	JULIA WANG	06/09/09					
		enr	JEROME CHEN	06/09/09					
		chr	GARY HSIEH	06/09/09					
		appd	JOSEPH HSIA	06/09/09					
sheet index	revision sheet								

cage code 22526

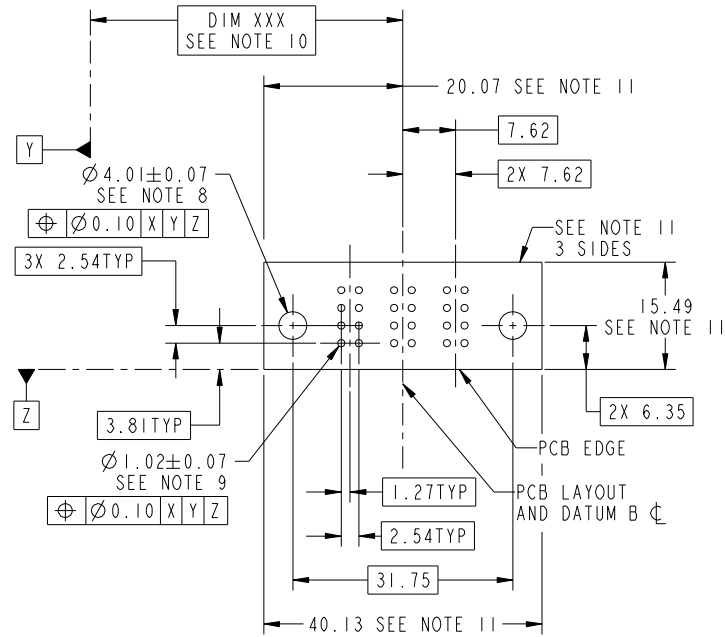
Pro/E

Tous droits strictement reserves. Reproduction ou communication a des tiers interdite sous quelque forme que ce soit sans autorisation écrite du propriétaire. Propriete de c FCI. Droits de reproduction FCI.



All rights strictly reserved. Reproduction or issue to third parties in any form whatever is not permitted without written authority from the proprietor. Property of FCI. Copyright FCI.

PRODUCT NUMBER
51915-209--
NOTE 3



RECOMMENDED PCB LAYOUT

mat'l code		SEE NOTE		tolerances unless otherwise specified		CUSTOMER		FCI	
ltr	ecn no.	dr	date	linear	0.X ± 0.5	COPY		www.fciconnect.com	
A				linear	0.XX ± 0.25	projection		title	
				angles	0.XXX ± 0.1			3ACP R/A SOLDER RECEPTACLE	
				dr	0° ± 2°	MIM		product family PwrBlade code	
				enr	JULIA WANG 06/09/09			size	
				chr	JEROME CHEN 06/09/09	scale		dwg no	
				appd	GARY HSIEH 06/09/09	1:1		51915-209	
					JOSEPH HSIA 06/09/09			sheet	
sheet index	revision sheet							3 of 4	

cage code 22526

Pro/E

Tous droits strictement reserves. Reproduction ou communication a des tiers interdite sous quelque forme que ce soit sans autorisation écrite du propriétaire. Propriete de c FCI. Droits de reproduction FCI.



All rights strictly reserved. Reproduction or issue to third parties in any form whatever is not permitted without written authority from the proprietor. Property of FCI. Copyright FCI.

PRODUCT NUMBER
51915-209--
NOTE 3

NOTES:

1. DIMENSIONS AND TOLERANCES ARE IN ACCORDANCE WITH ASME Y14.5M, 1994 UNLESS OTHERWISE SPECIFIED.

CONNECTOR NOTES:

2. HOUSING MATERIAL: UL 94 V-0 GLASS FILLED HIGH-TEMP THERMOPLASTIC
POWER CONTACT MATERIAL: COPPER ALLOY
SIGNAL PIN MATERIAL: COPPER ALLOY

3. PLATING:
SEE ITEM 5 & 6 IN PRINT 10064183 FOR PLATING SPEC. OF 51915-209, 51915-209LF RESPECTIVELY.

4. MANUFACTURER'S NAME, P/N, AND DATE CODE TO APPEAR ON THIS SURFACE.

5. PRODUCT SPECIFICATION GS-12-149.
APPLICATION SPECIFICATION BUS-20-067.

6. PACKAGED IN TRAYS.

PCB NOTES:

7. ALL HOLE DIAMETERS ARE FINISHED HOLE SIZE.

8. MOUNTING HOLES, WHERE APPLICABLE, ARE UNPLATED.

9. $\varnothing 1.151 \pm 0.025$ DRILLED HOLES PLATED WITH 0.008 MIN SnPb OR Sn OVER 0.03 TO 0.08 Cu PLATING TO ACHIEVE $\varnothing 1.02 \pm .07$ HOLE.

10. "DIM XXX" TO BE DETERMINED BY THE CUSTOMER.

11. CONNECTOR KEEP-OUT ZONE.

12. THE VOID CORING IN BETWEEN POWER MODULES, SIGNAL MODULES AND END MODULES ARE OPTIONAL AND THE SHAPE MAY BE DIFFERENT FOR OPTIMIZE THE MOLDING PROCESS. THE VOID CORING WILL NOT EFFECT TO PRODUCT FUNCTION.

mat'l code				SEE NOTE 2		tolerances unless otherwise specified		CUSTOMER		FCI		www.fciconnect.com	
ltr	ecr no.	dr	date	linear	0.X ± 0.5		COPY		projection	title			
A					0.XX ± 0.25		MIM			3ACP			
					0.XXX ± 0.1		←			R/A SOLDER RECEPTACLE			
				angles	0° ± 2°		scale		product family		PwrBlade	code	
				dr	JULIA WANG	06/09/09	1:1		size		A	213	
				enr	JEROME CHEN	06/09/09			dwg no		51915-209		sheet
				chr	GARY HSIEH	06/09/09			4 of 4				
				appd	JOSEPH HSIA	06/09/09							
sheet index		revision sheet											

cage code 22526

Pro/E