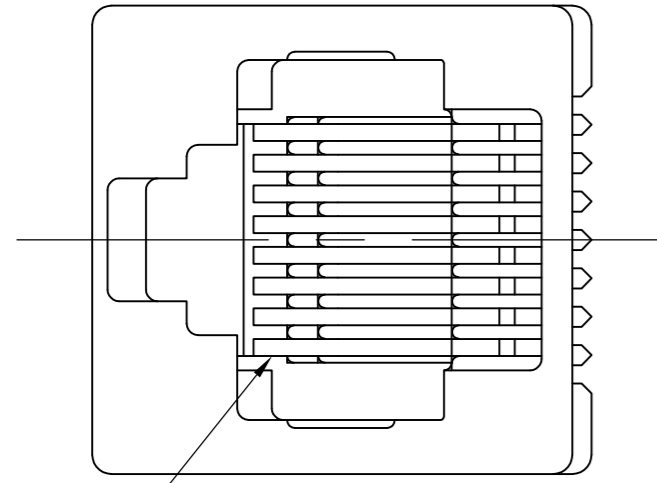


THIS DRAWING IS UNPUBLISHED. RELEASED FOR PUBLICATION  
 © COPYRIGHT BY TYCO ELECTRONICS CORPORATION. ALL RIGHTS RESERVED.

LOC		DIST		REVISIONS			
P	LTR	DESCRIPTION		DATE	DWN	APVD	
AA	00	B	ECO-07-017784	14AUG07	LAM	PR	

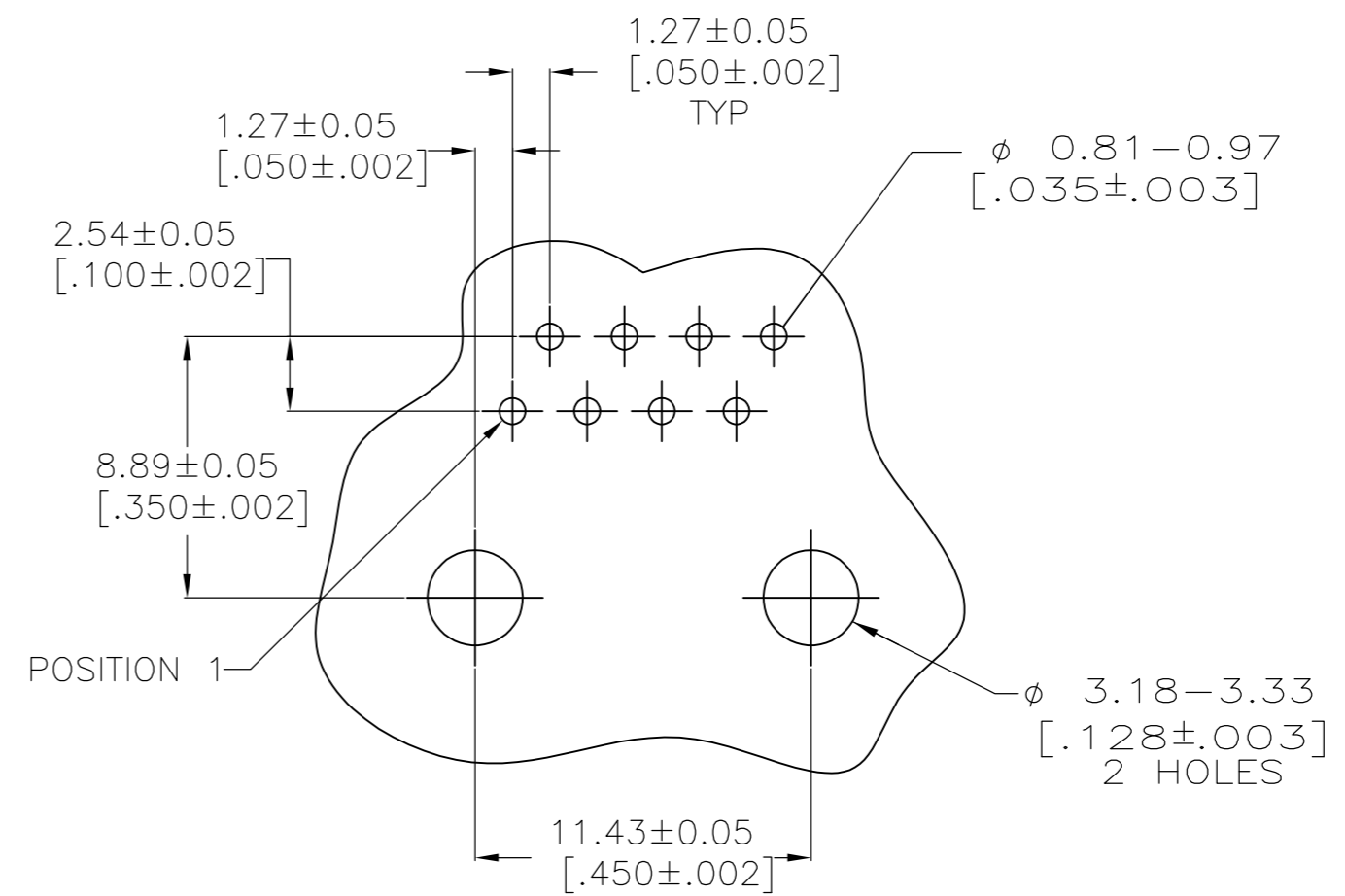
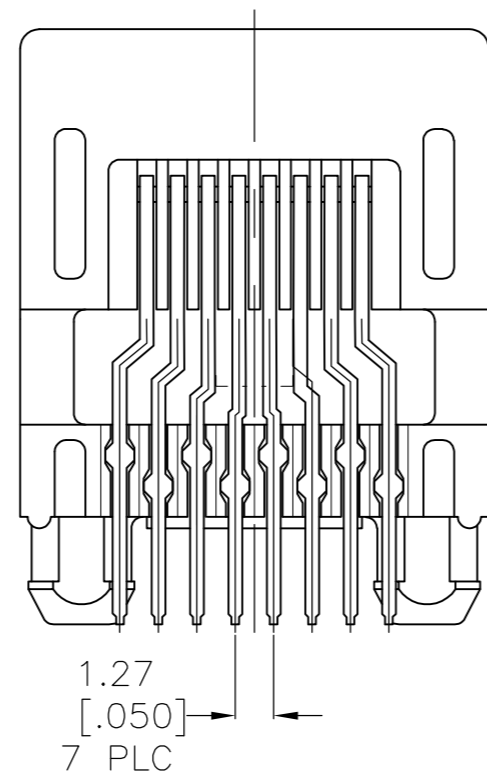
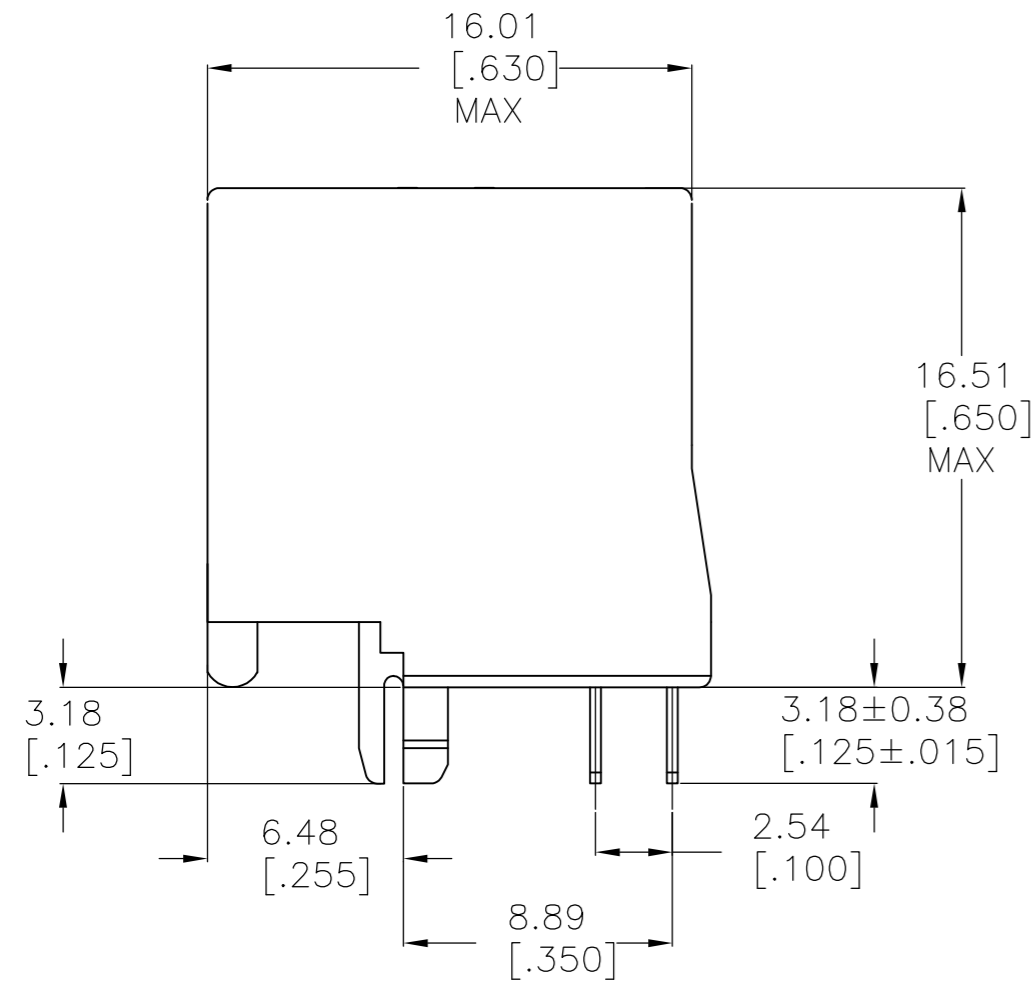


2

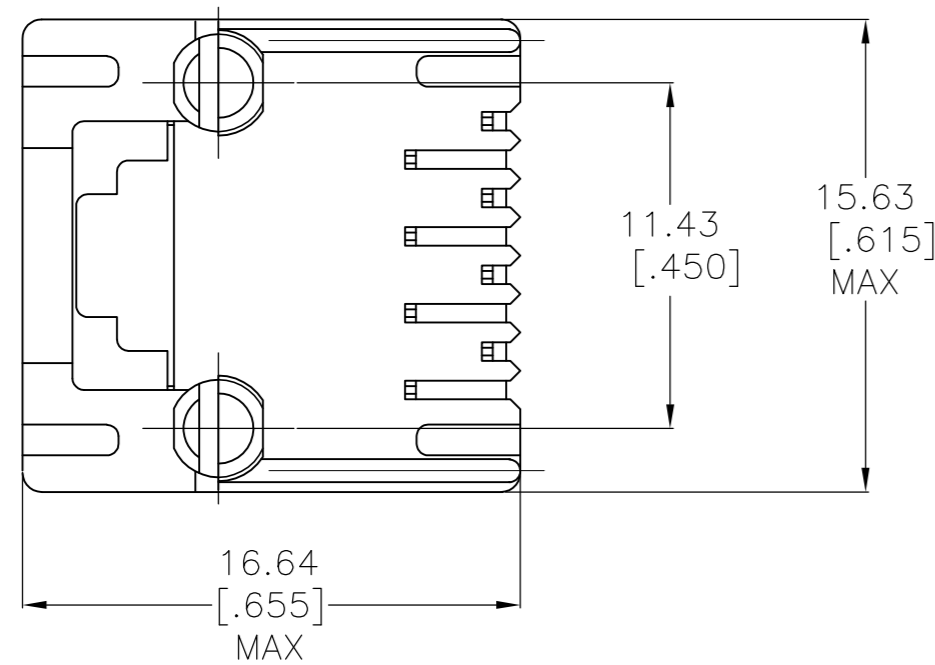
- MATERIAL: HOUSING - HTN MOLDING COMPOUND, UL 94V-0 COLOR: BLACK  
 TERMINAL - 0.36[.014] THICK PHOS BRONZE PLATED WITH 1.27 $\mu$ m [.000050] MIN THICK HARD GOLD IN LOCALIZED GOLD PLATE AREA, 3.81 $\mu$ m [.000150] MIN THICK MATTE TIN IN SOLDER AREA AND 1.27 $\mu$ m [.000050] MIN THICK NICKEL UNDERPLATE

2 CAVITY CONFORMS TO FCC RULES AND REGULATIONS PART 68 AND REA BULLETIN 345-81 PE-76 SPECIFICATION FOR MODULAR TELEPHONE HARDWARE.

- BULK PACKAGED IN A TRAY.



SUGGESTED PRINTED CIRCUIT BOARD LAYOUT  
 COMPONENT SIDE



THIS DRAWING IS A CONTROLLED DOCUMENT.		DWN L.A.MAYER 06JUN2005	Tyco Electronics Corporation Harrisburg, PA 17105-3608	
DIMENSIONS: mm [INCHES]		CHK P.RECCE 14AUG2007	NAME S. FLICKINGER	
TOLERANCES UNLESS OTHERWISE SPECIFIED:		APVD S. FLICKINGER 14AUG2007	PRODUCT SPEC 108-1163	
0 PLC ± -		APPLICATION SPEC 114-2048	SIZE A2	CAGE CODE 00779
1 PLC ± -		WEIGHT -	DRAWING NO C=5569284	RESTRICTED TO -
2 PLC ± 0.13[.005]		CUSTOMER DRAWING		
3 PLC ± -		SCALE 4:1	SHEET 1 OF 1	REV B
4 PLC ± -				
ANGLES ± -				
FINISH SEE NOTE 1				