



Electrical Specifications

Pass Band: 3dB BW 292.5 Min to 307.5 Max MHz
Insertion Loss: 7.5 dB @ 300 MHz
In/Out VSWR: 1.25:1 Max @ 300 MHz
Stopband: 80 dB @ 240 MHz
 40 dB BW 32 Max MHz

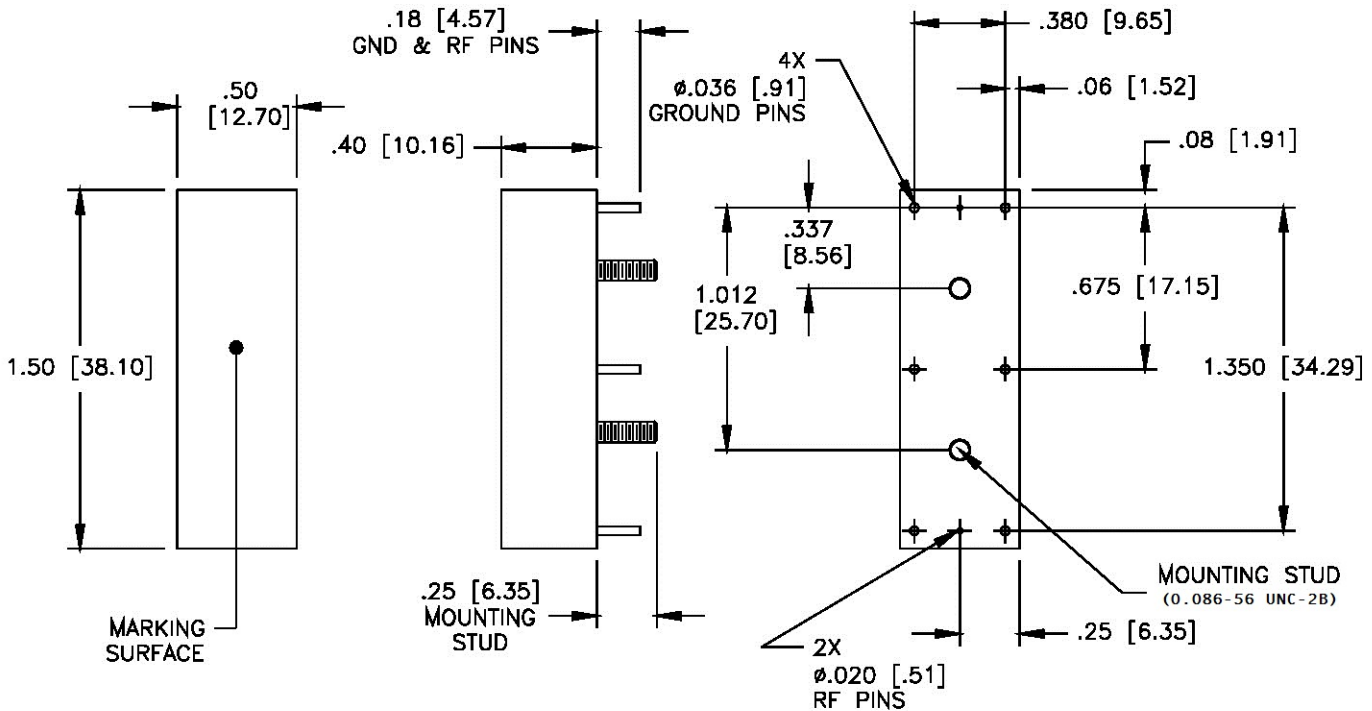
Mechanical

Connector Type: RF Pins
Dimensions: 1.50 x 0.50 x 0.40 Inches

Environmental

Operating Temperature: -30 to +85° C
Storage Temperature: -40 to +95° C
Shock: 20 G. 11 ms
Vibration: 20 G. 5 to 200 MHz

Outline Drawing:



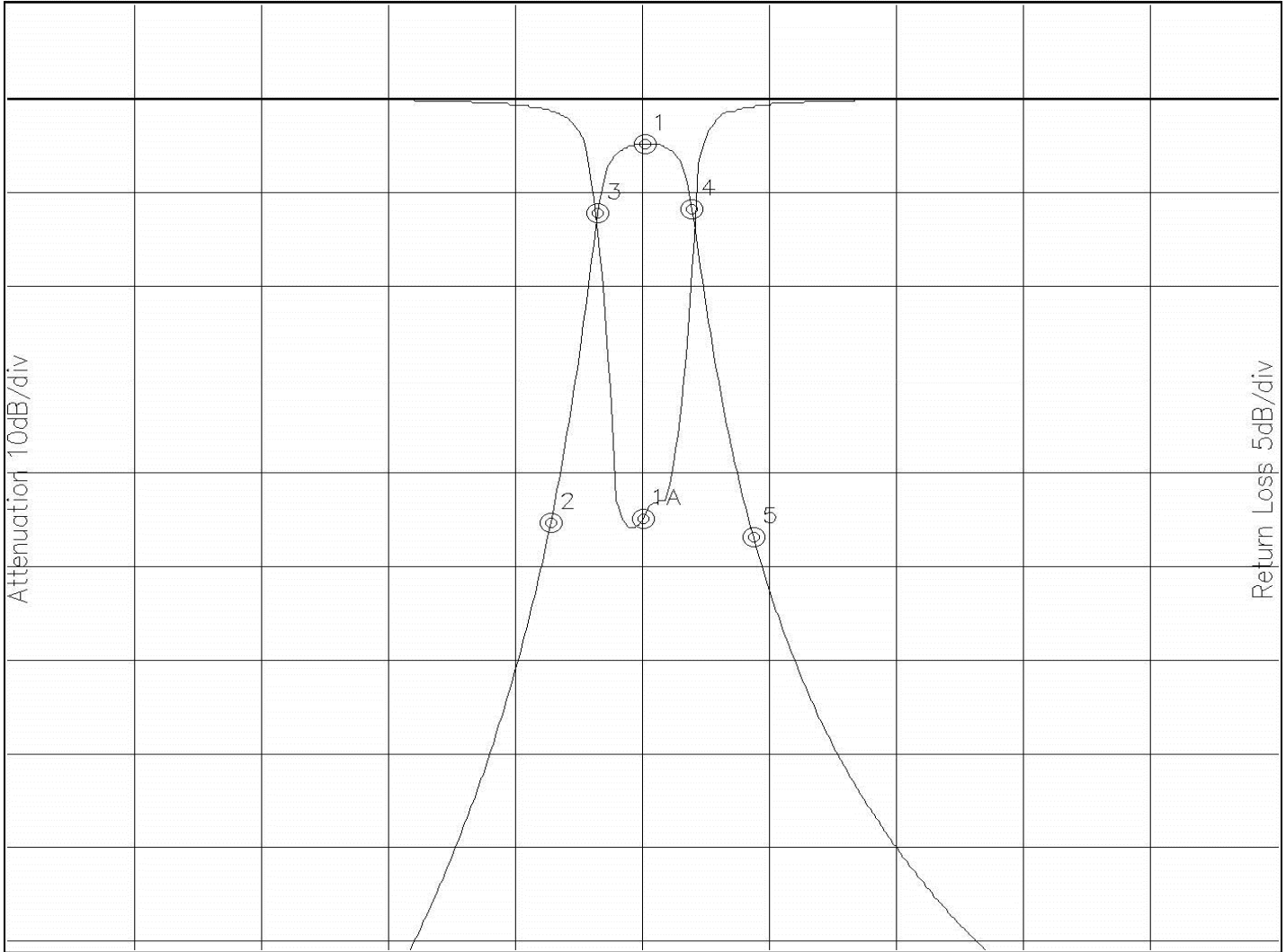


Response Plot:

A4/0.lad

JAN 20, 2015

Attenuation/Return Loss



Attenuation Start: 200.0MHz Stop: 400.0MHz

Return Loss Start: 200.0MHz Stop: 400.0MHz

Marker 1 Freq 300.16MHz Atten -4.720dB
 Marker 2 Freq 285.29MHz Atten -45.149dB
 Marker 3 Freq 292.73MHz Atten -12.241dB
 Marker 4 Freq 307.59MHz Atten -11.835dB
 Marker 5 Freq 317.28MHz Atten -46.727dB

Marker 1A Freq 299.83MHz Ret Loss -22.418dB