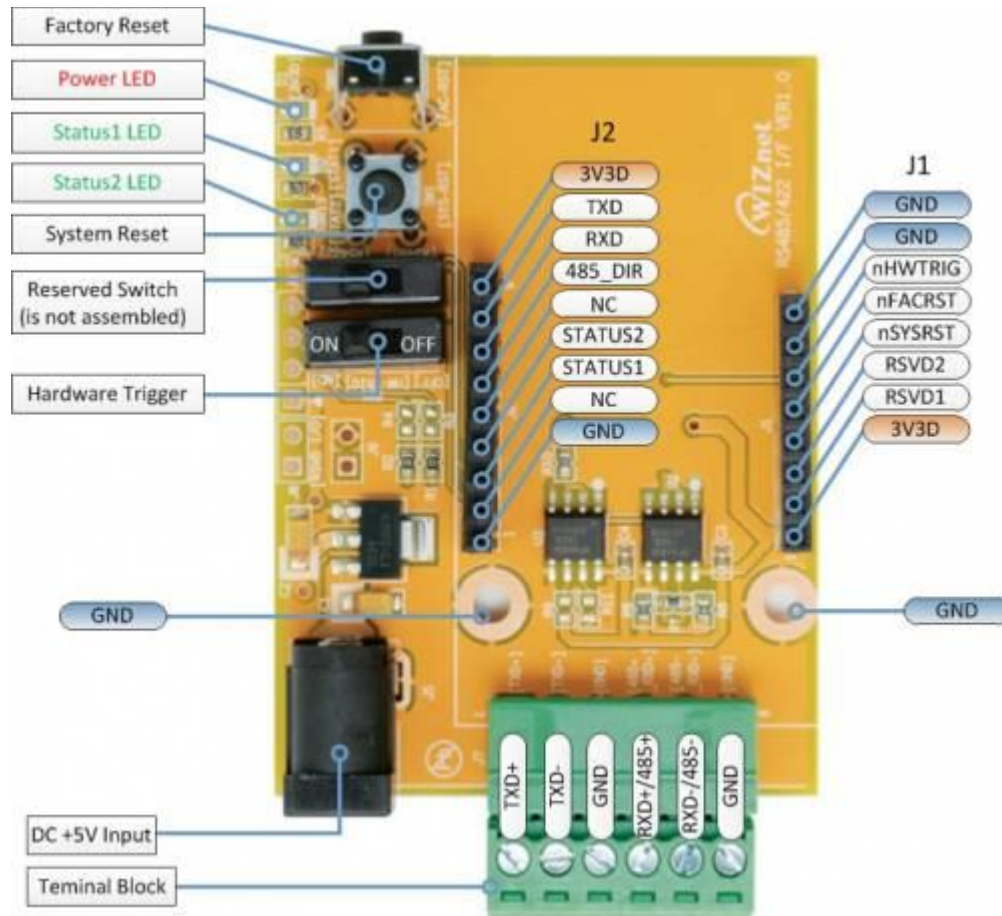


WIZ550S2E-485/422 Interface board

- Line Driver SP3485EN
- System Reset Switch
- Factory Reset Switch
- Hardware-Trigger Mode Switch
- Status LEDs
- DC-Jack (for +5V Input Power)



Input Power

Current Consumption(connected with WIZ550S2E)

Operating Temperature

DC +5V (Plug type:
Outdiameter 5.5Pi - Caliber
2.1Pi)

179mA(Max.)@RS422Mode,
157mA(Max.)@RS485Mode

-40 ~ 85 °C

Item **Version** **Schematic(PDF)** **Schematic(CAD)**

WIZ550S2E-
485/422
interface
board

1.0

[rs485-
422if v1 0.pdf](#)

[rs485-
422if v1 0.zip](#)

Dimension

(Unit: mm)

