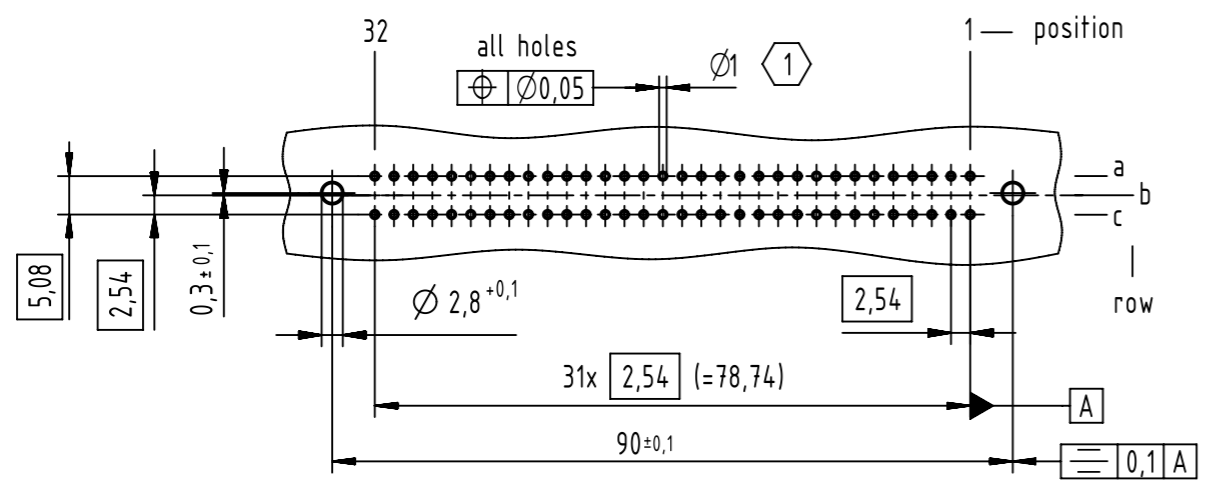


1 2 3 4 5 6 7 8

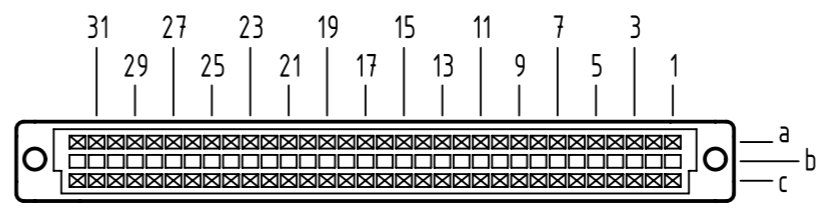
A
B
C
D
E
F

A
B
C
D
E
F

A
board drillings



A
contact arrangement

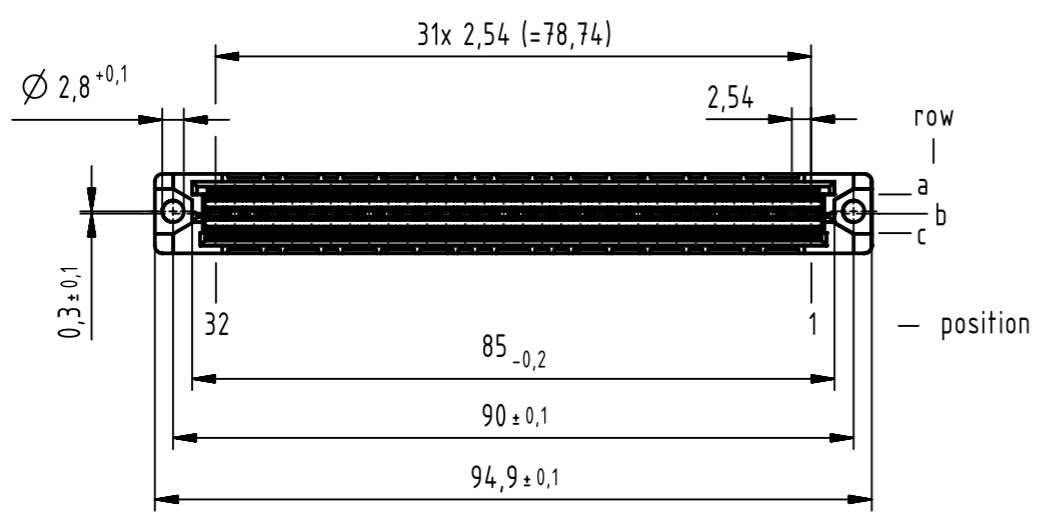
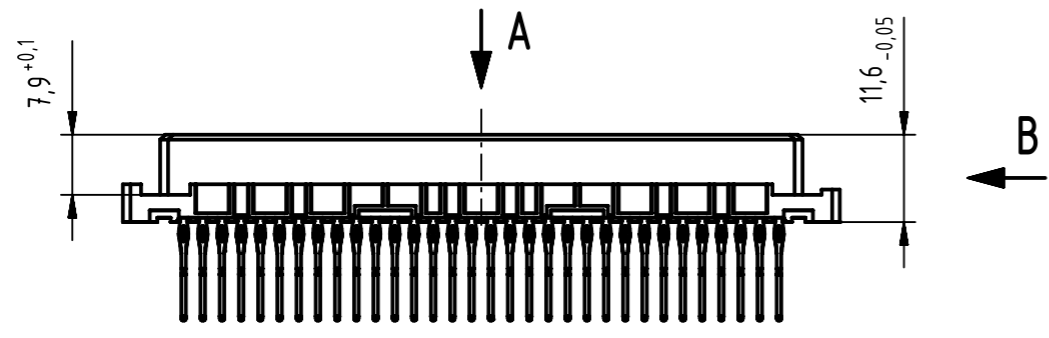
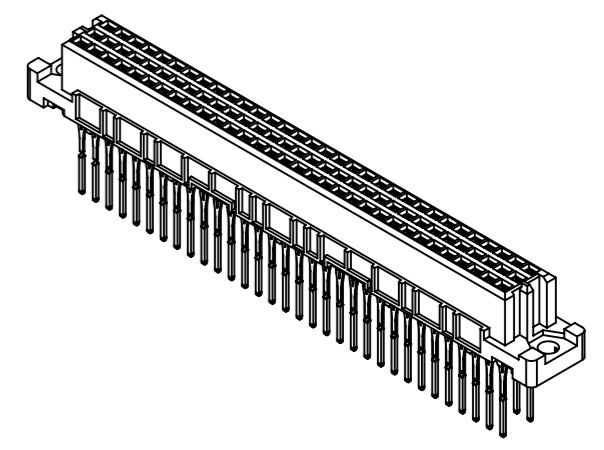
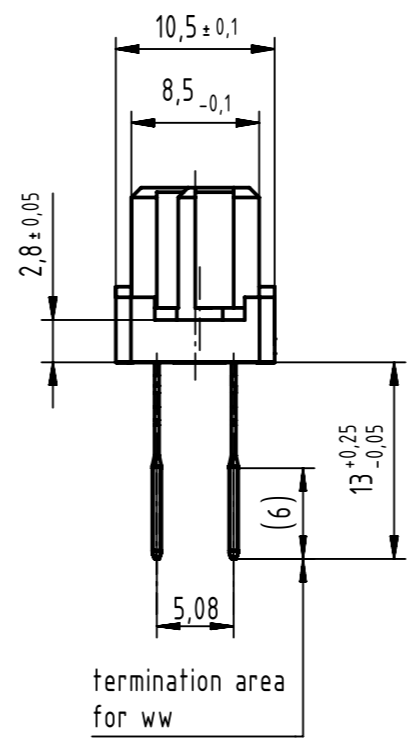


64 press-in contacts

☒ = position with contact

☐ = position without contact

B (2:1)



1 recommended configuration of plated through holes and further information see: DS 09032100001

09 03 264 6851	2
part-no	performance level 1

	All rights reserved	Created by	Inspected by	Standardisation	Date	State	
	Department EL PD	STORCK	LEHNERT	KOHLER	2016-05-20	Final Release	
HARTING Electronics GmbH		Title				Doc-Key / ECM-Nr.	
D-32339 Espelkamp		DIN Signal type C female press-in 13.0 64-pole				100072194/UGD/055/D 500000104358	
Type	Number	Rev.				Page	
TB	0903264X851	D				1/1	

1 2 3 4 5 6 7 8