



Since 1959

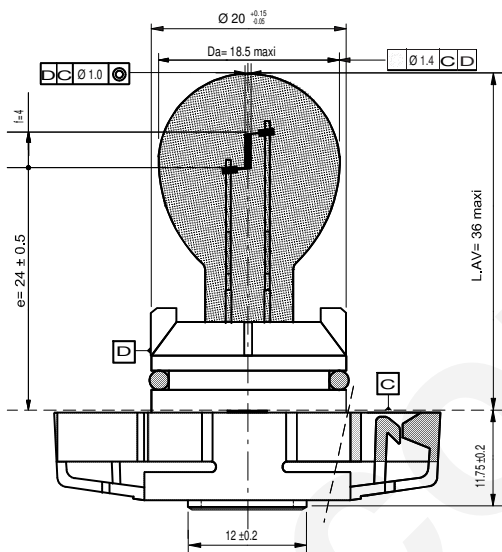
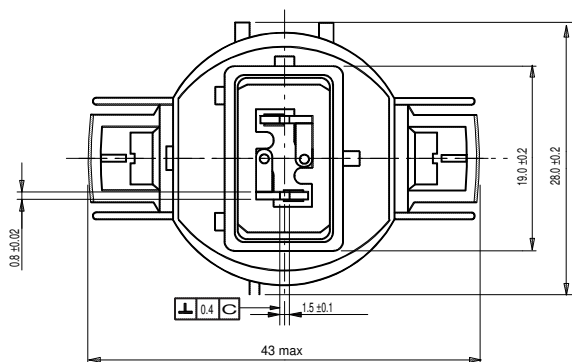
Product Information Sheet

PSY19W 12V Amber Glass

HiPer E18 PSY19W 12V PG20/2 NA

12275

Date : 09/12/2007



****BULB NOT MANUFACTURED BY CEC INDUSTRIES****

Dimensions in mm

Turn signal

PSY19W 12V

Cap : PG20/2 IEC 61-1 / 7004-127-

Type : 12275

Code Nr : 9246 537 171

ECE R37 E4 2ME

C-8Z Straight-axial -"Z" shape

Made in France, Chartres

Product specifications are subject to modification without prior notice

| | |
|--------------------------------------|--|
| Colour | |
| Required area | ECE R37 |
| Photometric values | |
| Photometry voltage | 13,5V DC |
| Power | 19,00 W ±5,2% |
| Luminous flux | 215,0 lm +20% |
| Mechanical values | |
| Mechanical bulb resistance | 40,0 N min. |
| Reliability | |
| Life test voltage | 13,5V DC |
| Life test cycle | 90/min - 50% - 15"ON/15"OFF (Blinking) |
| Lumen maintenance at | 1 200 h |
| Lumen maintenance | 70,0 % min. |
| Colour maintenance at | 1 200 h |
| Life : Tc | 2 400 h |
| Life : B3 | 1 200 h |
| Resistance to environment | |
| Humidity resistance, FAKRA | |
| Maximum permissible bulb temperature | 350 °C MAX |

CEC INDUSTRIES LTD

599 Bond St, Lincolnshire, IL 60069