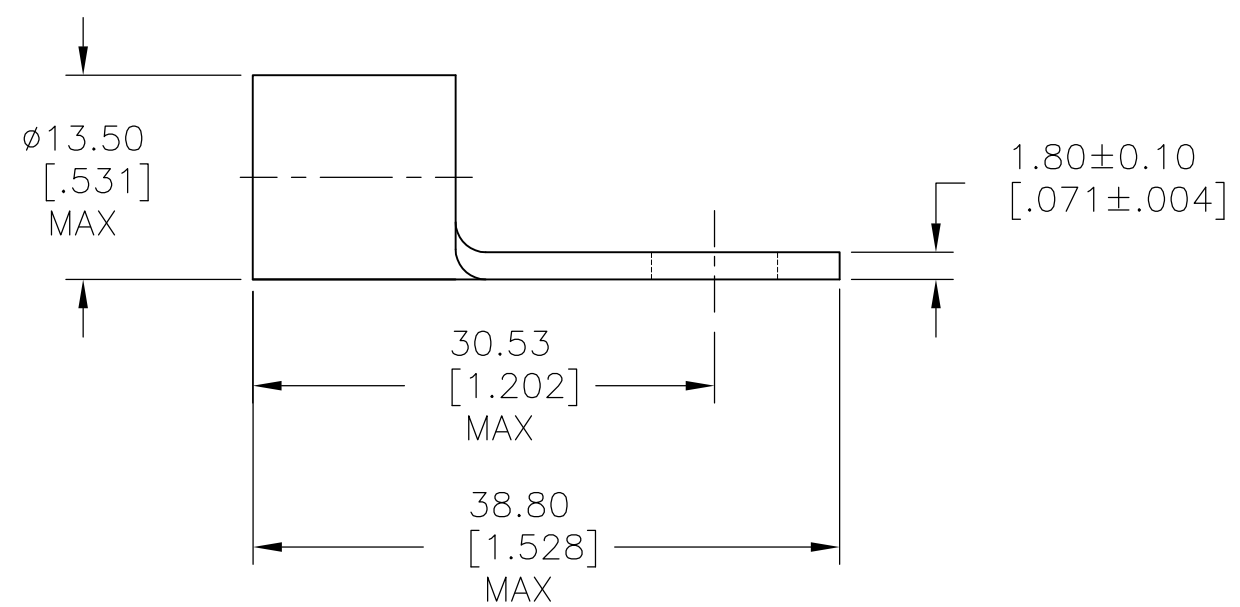
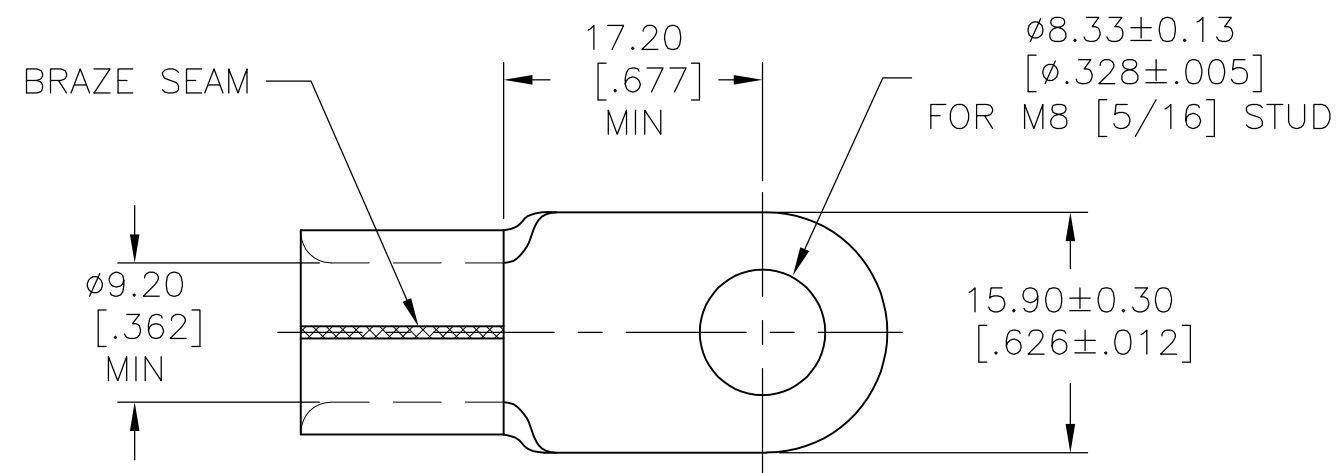


THIS DRAWING IS UNPUBLISHED. RELEASED FOR PUBLICATION
 © COPYRIGHT - By - ALL RIGHTS RESERVED.

LOC	DIST	REVISIONS					
		P	LTR	DESCRIPTION	DATE	DWN	APVD
			B1	REVISED PER ECO-15-006978	06JUN2015	NK	MM

△ 1 NICKEL 0.00762[.00030] MIN EXT. THK PER AMS QQ-N-290



150453
PART NO

AMP INCORPORATED CUSTOMER SERVICE SYSTEMS		MAX RECOMMENDED OPERATING TEMPERATURE: 650°F	THIS DRAWING IS A CONTROLLED DOCUMENT.		DWN RAGHAVENDRA 28OCT10	TE Connectivity				
FOR ADDITIONAL PRODUCT INFORMATION OR COPIES OF DRAWINGS AND TECHNICAL DOCUMENTS	PRODUCT INFORMATION CENTER 1-800-522-6752	VOLTAGE RATING: N/A	DIMENSIONS: mm [INCHES]	TOLERANCES UNLESS OTHERWISE SPECIFIED:	CHK ROHDE DANIEL 28OCT10				NAME RING TONGUE, SOLISTRAND STRATOTHERM, HR 2 AWG, 5/16	
FOR APPLICATION TOOLING INFORMATION	TOOLING ASSISTANCE CENTER 1-800-722-1111	CIRCULAR MIL AREA: 26.7-42.4 mm ² (52,600-83,700) SOLID OR STRANDED		0 PLC ± - 1 PLC ± - 2 PLC ± 0.20[.008] 3 PLC ± - 4 PLC ± - ANGLES ± 30'	APVD ROHDE DANIEL 28OCT10	SIZE	CAGE CODE	DRAWING NO	RESTRICTED TO	
FOR ORDER ENTRY	1-800-526-5142		MATERIAL COPPER PER ASTM B152	FINISH △ 1	PRODUCT SPEC -	A3	00779	C-150453	-	
					WEIGHT -	CUSTOMER DRAWING		SCALE 2:1	SHEET 1 OF 1	REV B1