

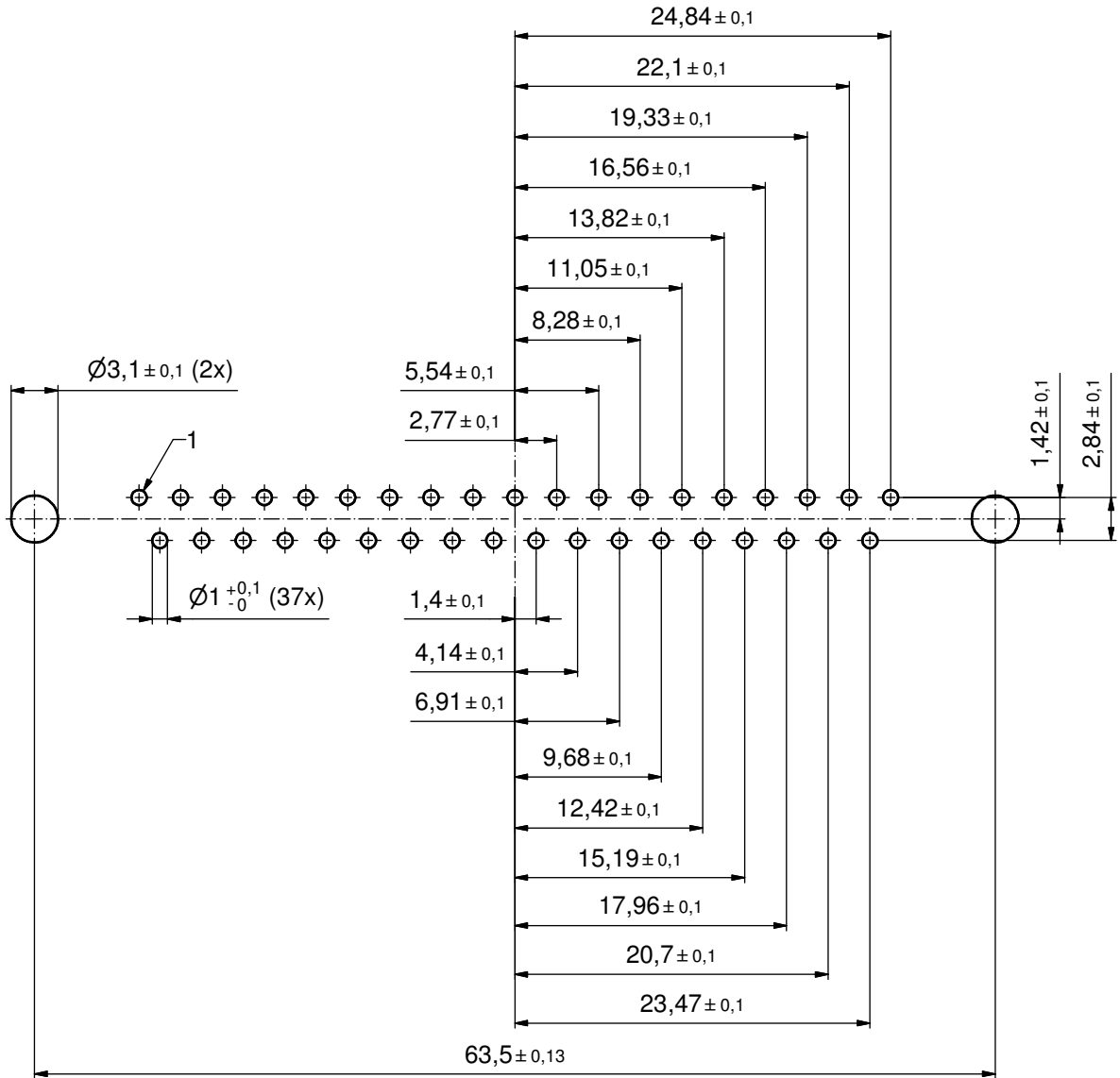
NOTES:


1. METALSHELLS: STEEL; min. 315µm TIN over 40-80µm NICKEL
2. INSULATORS: PBT GF UL 94 V-0, BLACK
3. CONTACTS: COPPER ALLOY; PLATING (SEE PART NO.):
 - PLEASE ADD A for GOLD FLASH over NICKEL (PREFERRED TYPE)
 - PLEASE ADD B for 20µm HARD GOLD over min. 50µm NICKEL
 - PLEASE ADD C for 30µm HARD GOLD over min. 50µm NICKEL
 - PLEASE ADD J for 30µm HARD GOLD over min. 50µm NICKEL
4. THREADED SPACER CLIPS:
 - COPPER ALLOY; min. 200µm TIN over 80µm NICKEL
 - PCB-HOLE: $\varnothing 3.1 \pm 0,1$; PCB THICKNESS 1,6mm
5. COLLARS: COPPER ALLOY; min. 200µm TIN over 80µm NICKEL
6. P.C.B. HOLE DRILLINGS ON SHEET 2
7. MAXIMUM TORQUE VALUE FOR THREAD: 6 in.LB
8. CONNECTOR IS PART MARKED: 163□16189X CONEC ABC (see note 3)

Directive 2002/95/EC RoHS compliant

THIS DRAWING MAY NOT BE COPIED OR REPRODUCED IN ANY WAY, AND MAY NOT BE PASSED ON TO A THIRD PARTY WITHOUT WRITTEN PERMISSION. OWNERSHIP AND COPYRIGHT OF CONEC GmbH DO NOT ALTER CAD DRAWING BY HAND				tolerance		scale: 2:1 (5:1)		
				date	name	material: see notes		
				drawn	08.01.13	Henneboel		
				appd.	09.01.13	Fischer		
				norm				
			d-old	16K1A1045/16K1A1201/16K1A681		title:		
			4 x b	A4593	08.01.2013	K.H.	D-SUB MALE 37pos. SOLDER PIN STRAIGHT with threaded spacer clip	
			a	Original				dwg no:
			rev.	description	date	name	(b) 16K1A3166	DIN-A3
			CONEC				part no: (b) 163□16189X (see note 3)	sh: 1/2

P.C.B. HOLE DRILLINGS
(P.C.B. TOP SIDE)



THIS DRAWING MAY NOT BE COPIED OR REPRODUCED IN ANY WAY, AND MAY NOT BE PASSED ON TO A THIRD PARTY WITHOUT WRITTEN PERMISSION. OWNERSHIP AND COPYRIGHT OF CONEC GmbH DO NOT ALTER CAD DRAWING BY HAND				tolerance		scale: 3:1
				dim. in mm		material: see sheet 1
				date	name	title: P.C.B. HOLE DRILLINGS D-SUB MALE 37pos. SOLDER PIN STRAIGHT with threaded spacer clip
				drawn	08.01.13 Henneboel	
				appd.	09.01.13 Fischer	
			norm		dwg no:	
			d-old		DIN-A3	
			rev.	description	date	name
			a	Original		
			CONEC [®]			sh: 2/2
						part no: SEE SHEET 1