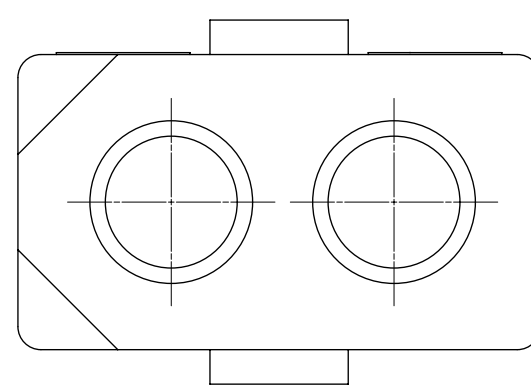
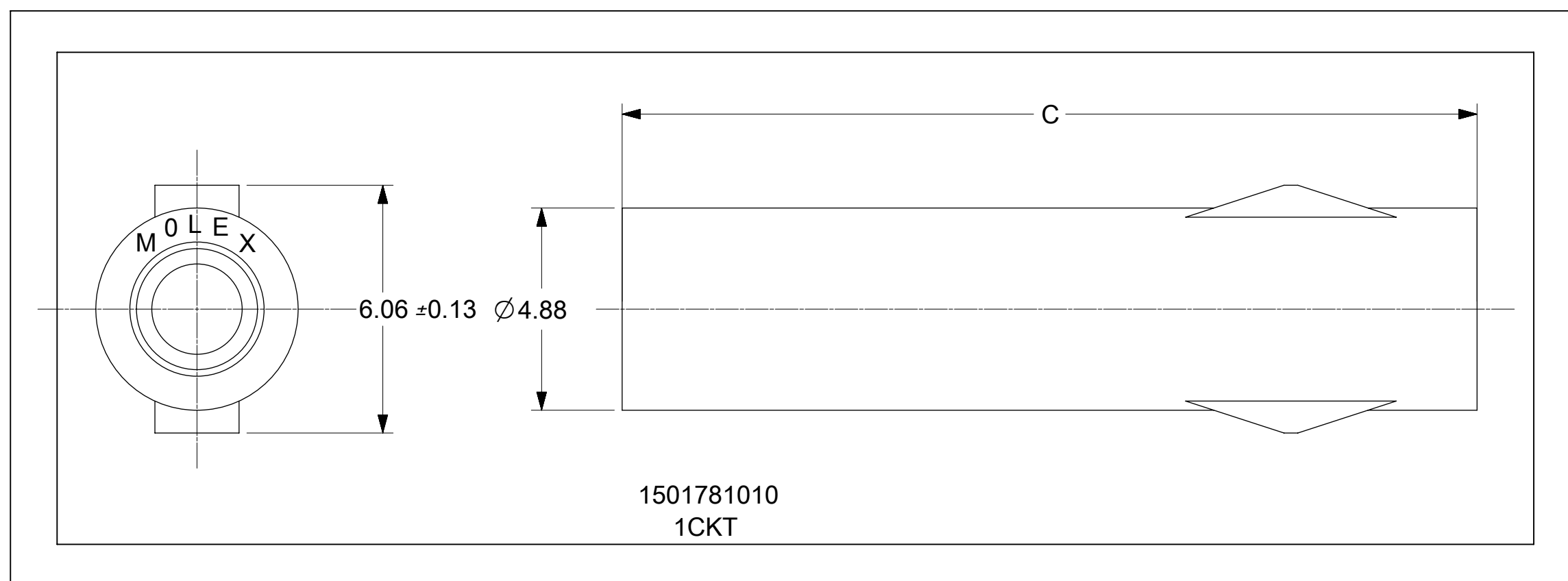
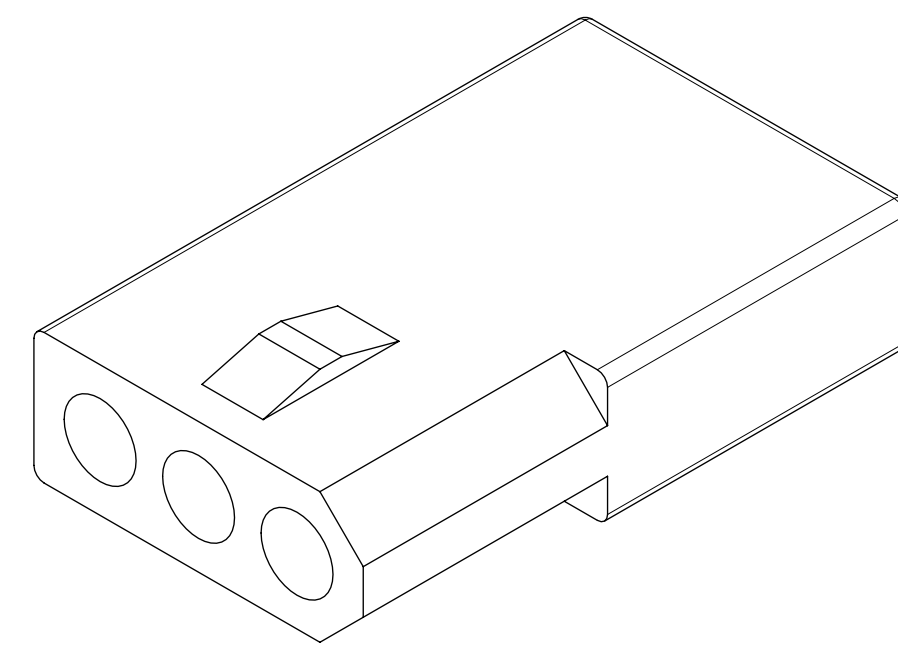


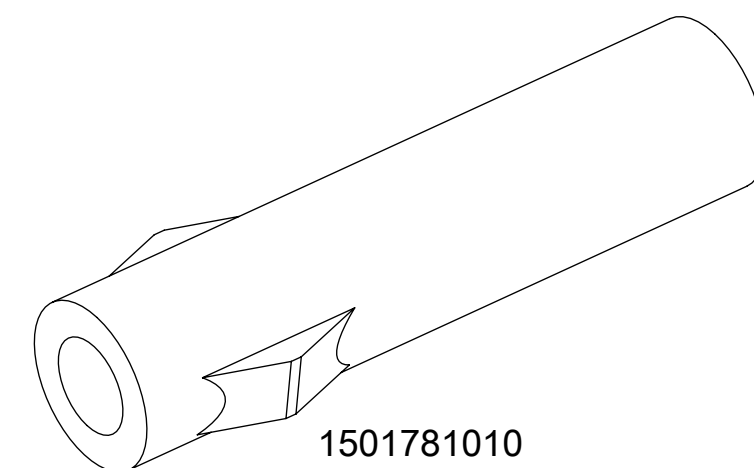
1501781030
3CKT



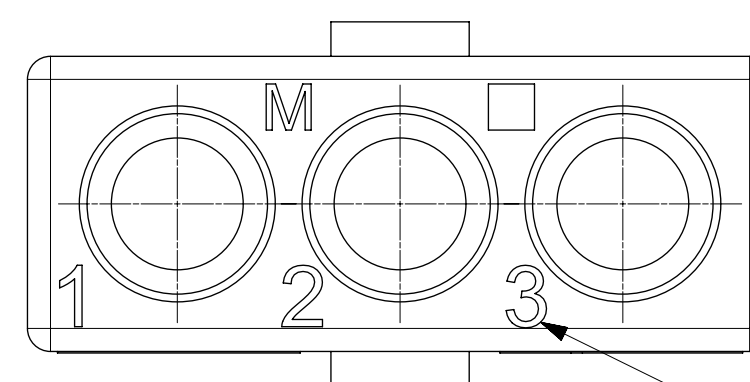
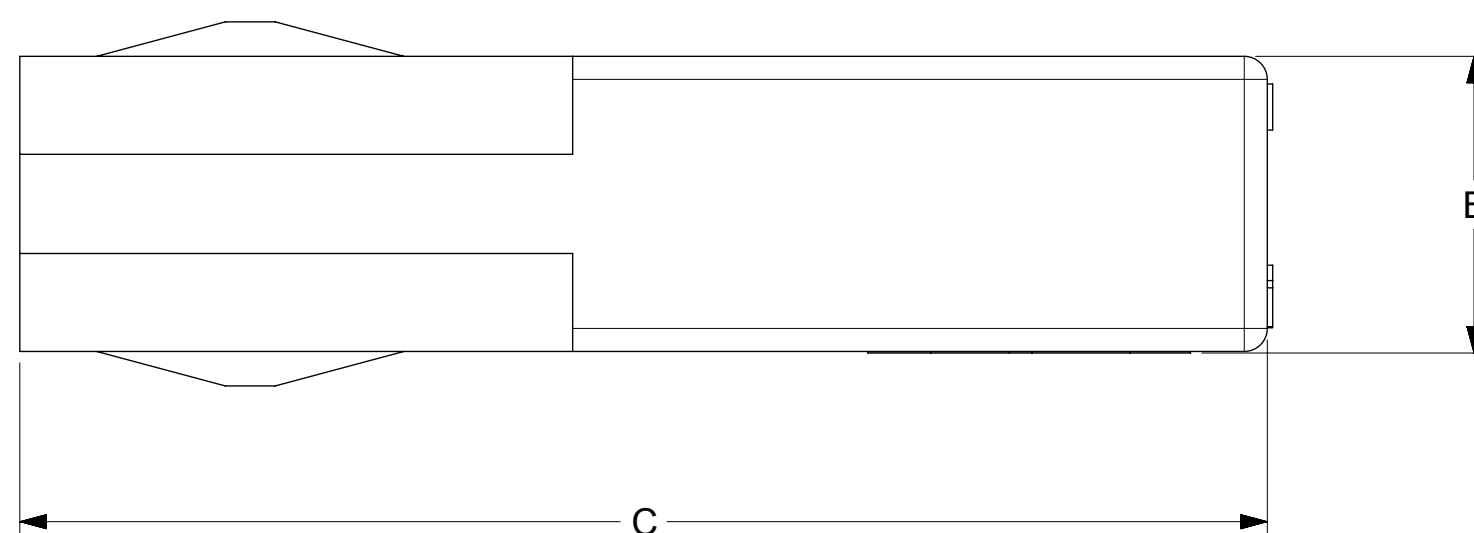
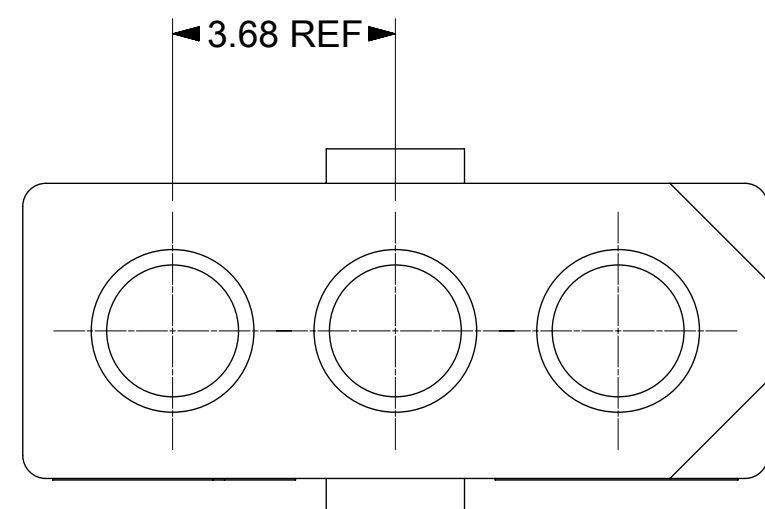
1501781020
2CKT



1501781010
1CKT



1501781010



CIRCUIT NUMBER

NOTES:

- 1) MATERIAL: NYLON TYPE 6/6,94V-2 COLOR: NATURAL
- 2) FINISH: NONE
- 3) PRODUCT SPECIFICATION: 1501760001-PS
- 4) PACKAGING SPECS: PK-150176-001
- 5) THIS PART CONFORMS TO CLASS B REQUIREMENTS OF COSMETIC SPEC PS-45499-002.
- 6) THIS PART CONFORMS TO MOISTURIZING SPECIFICATIONS OF NYLON PARTS REFER AS-45499-001
- 7) THIS PART ACCEPT TERMINAL SERIES 150181
- 8) THIS PART MATES WITH PLUG HOUSING SERIES 150176.

| SL NO. | PART NUMBER | DESCRIPTION | DIM A | DIM B | DIM C |
|--------|-------------|------------------|-------|-------|-------|
| 1 | 1501781010 | 1 CKT SINGLE ROW | --- | --- | 19.84 |
| 2 | 1501781020 | 2 CKT SINGLE ROW | 8.64 | 4.93 | 20.62 |
| 3 | 1501781030 | 3 CKT SINGLE ROW | 12.3 | 5.05 | 19.8 |

| | | | | | | | |
|--|---|------------------------|---------------|----------------|-------------------|--------------|---------------------------------------|
| FUNCTIONAL SYMBOLS FA = 0 FC = 0 FP = 0 | THIS DRAWING CONTAINS INFORMATION THAT IS PROPRIETARY TO MOLEX ELECTRONIC TECHNOLOGIES, LLC AND SHOULD NOT BE USED WITHOUT WRITTEN PERMISSION | | | | | | |
| | DIMENSION UNITS | SCALE | | | | | CURRENT REV DESC: DESCRIPTION UPDATED |
| | GENERAL TOLERANCES (UNLESS SPECIFIED) | | EC NO: 647195 | | | 2020/10/09 | |
| | ANGULAR TOL ± 0.5° | | DRWN: PRADEA | | | 2020/10/19 | |
| DIVISIONAL SYMBOLS | | 3 PLACES ± | | | CHK'D: NCSR | | |
| | | 2 PLACES ± 0.25 | | | APPR: NCSR | | |
| | | 1 PLACE ± 0.35 | | | INITIAL REVISION: | | |
| | | 0 PLACES ± | | | DRWN: GES | | |
| DRAFT WHERE APPLICABLE MUST REMAIN WITHIN DIMENSIONS | | THIRD ANGLE PROJECTION | | DRAWING | | SERIES | |
| | | | | A2-SIZE | | 150178 | |
| DOCUMENT STATUS | | MATERIAL NUMBER | | CUSTOMER | | SHEET NUMBER | |
| P1 | | SEE TABLE | | GENERAL MARKET | | 1 OF 1 | |
| RELEASE DATE | | DOCUMENT NUMBER | | DOC TYPE | | DOC PART | |
| 2020/10/19 | | SD-150178-001 | | PSD | | 000 | |
| 14:19:13 | | B1 | | REVISION | | | |