



RADIALL

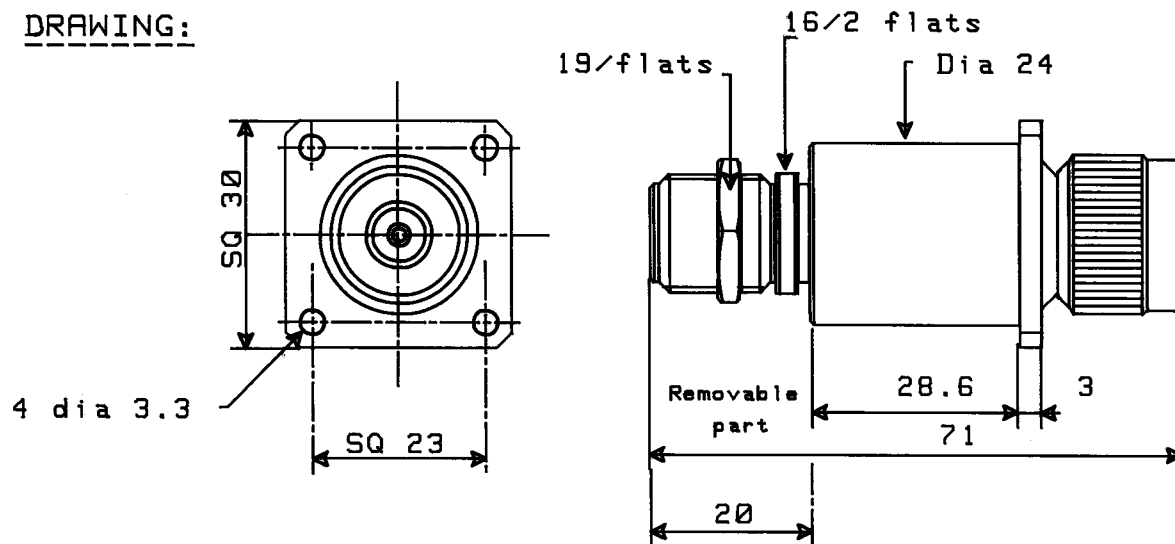
R 447171000

TECHNICAL DATA SHEET

TITLE SINGLE CHANNEL ROTARY JOINT

LTR. B

DRAWING:



GENERAL TOLERANCES : ± 0.5 mm

ELECTRICAL CHARACTERISTICS :

FREQUENCY RANGE : DC - 12.4 GHz (usable up to 18 GHz)  
 IMPEDANCE : 50 Ohms  
 WOW ON V.S.W.R. : <= 1.02

FREQUENCY ( GHz )	DC - 2	2 - 8	8 - 12.4
V.S.W.R. ( <= )	1.10	1.25	1.50
INSERT.LOSS ( dB )	0.10	0.25	0.60
MAXIMUM POWER (W) at 25°C cw	200	100	60

PEAK POWER at 25°C : 2 kW (5 μS)

MECHANICAL CHARACTERISTICS:

CONNECTORS : N (male/female) per MIL C 39012  
 MAXIMUM ROTATION SPEED : 100 rpm  
 LIFE --- : 2.10<sup>6</sup> rotation  
 MAXIMUM ROTATION TORQUE : 10cm.N  
 MAXIMUM WEIGHT : 150 grams

ENVIRONMENTAL CHARACTERISTICS:

OPERATING TEMPERATURE RANGE : - 40°C + 85°C

PEN

QUALITY Dpt App.

MO  
B

13 MAY 1991

PAGE

DATE

NAME

B

New issue

11/04/91 K.L

1/4

11/04/91

K.LUCIEN

LTR

REVISIONS

DATE

APP.