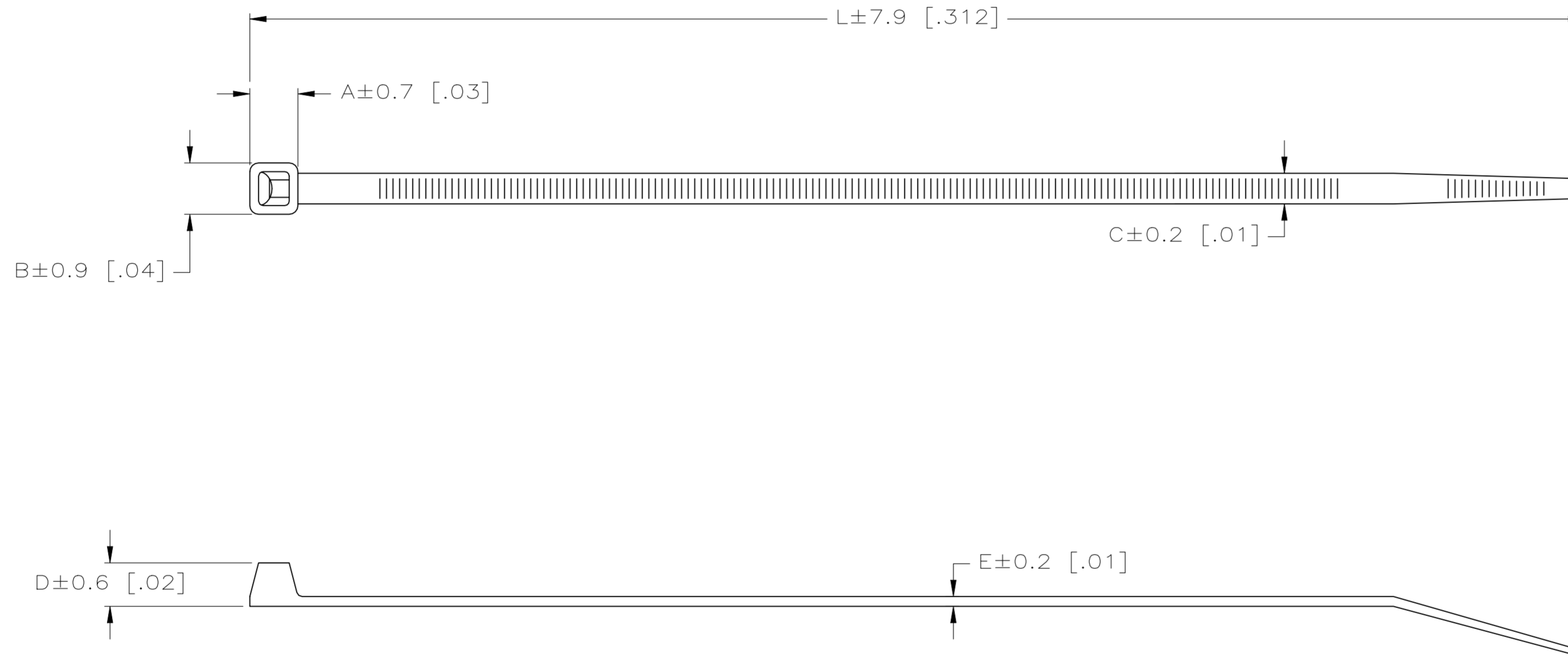


P	LTR	DESCRIPTION	DATE	DWN	APVD
M1		REVISED PER ECR-21-121349	07JAN2022	GK	SC

UNIT OF MEASURE	A	B	C	D	E	L	MAX BUNDLE DIAMETER	MIN TENSILE STRENGTH
[INCHES]	.287	.299	.181	.232	.047	7.95	1.75	50 LBS
MILLIMETERS	7.29	7.59	4.60	5.89	1.19	202.00	44.45	22.68 KG

1. PACKAGED IN HEAT SEALED 3 MILLIMETER POLYBAGS.
2. MIL NO. MS3367-1.



QTY/ BAG	COLOR	PART NUMBER
100	NATURAL HALAR	3-604772-0
1000	NATURAL	2-604772-9
1000	BLACK	2-604772-0
100	NATURAL	1-604772-9
100	BLACK	1-604772-0
1	NATURAL	604772-1

SUPERSEDED BY 1-604772-9

METRIC

THIS DRAWING IS A CONTROLLED DOCUMENT.		DWN S. HOOVER 26-MAY-2004	TE TE Connectivity	
DIMENSIONS: mm [INCHES]		CHK D. COLEY 26-MAY-2004		
TOLERANCES UNLESS OTHERWISE SPECIFIED:		APVD D. COLEY 26-MAY-2004	NAME CABLE TIE, 8 INCH	
0 PLC ±		PRODUCT SPEC	SIZE A2	
1 PLC ±		APPLICATION SPEC	CAGE CODE 00779	DRAWING NO C-604772
2 PLC ±		WEIGHT	RESTRICTED TO	
3 PLC ±		CUSTOMER DRAWING	SCALE 2:1	SHEET 1 of 1
4 PLC ±		FINISH	REV M1	
ANGLES ±				