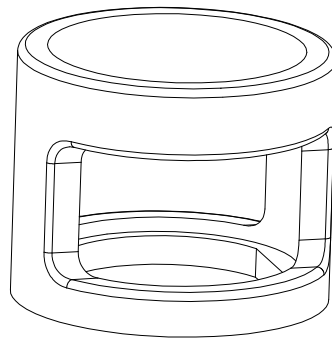


Technical Data

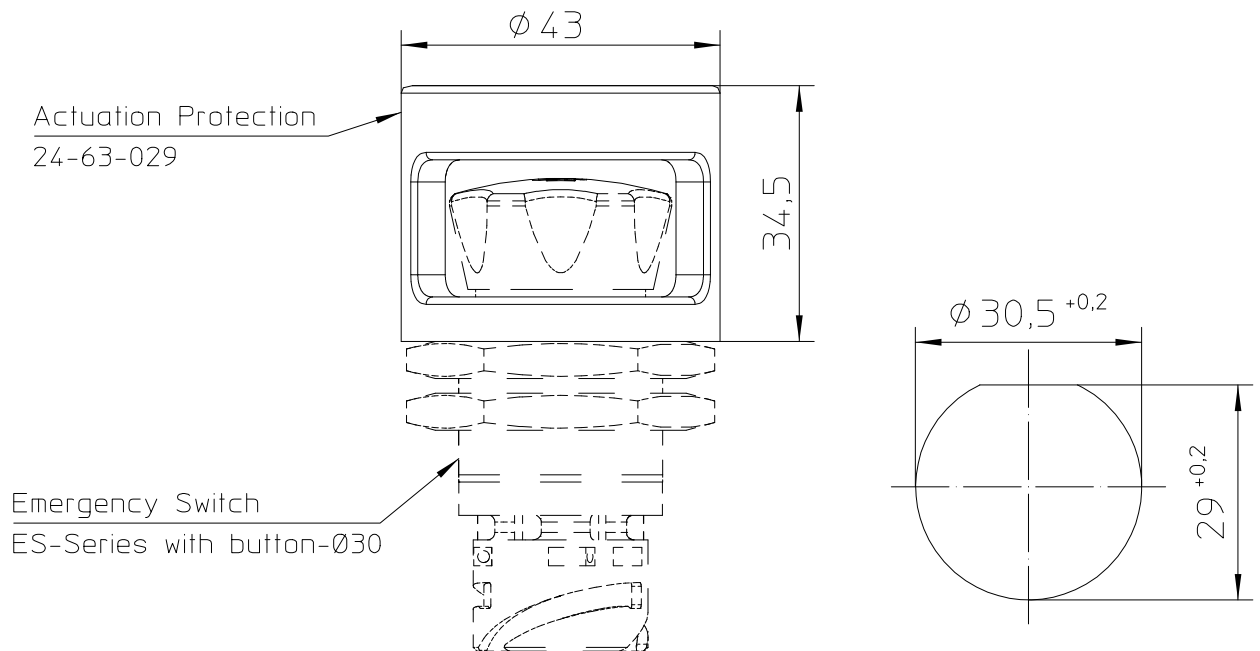
Construction

Material..... PA 25 GF RAL 1003; UL 94 V0

Suitable for ES-Series with button-Ø30mm



Mounting dimensions of Actuation Protection



For this drawing we reserve the copyright in accordance with DIN ISO 16016

| | | | | | | |
|--------|------------|-------|---------|--------------|--|---------------------------------------|
| | Date | Name | mm ↔ | Scale 1:1 | | Drawing No: |
| Create | 18.01.2017 | Hamar | | | | General Tolerances DIN ISO 2768 cL |
| Edited | 30.10.2019 | Baumg | NSN: | | | |
| Check | 30.10.2019 | Nonne | | | | |