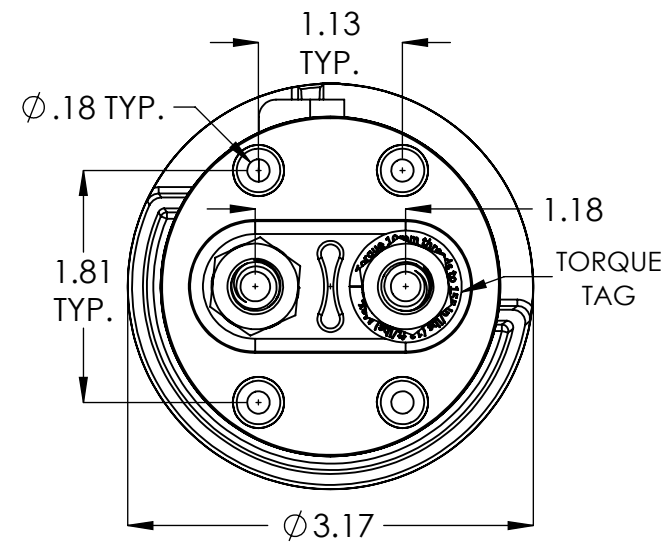
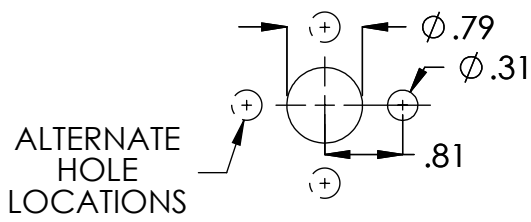
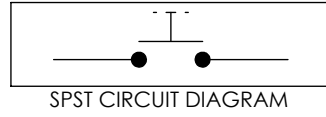


MOUNTING DETAIL



TECHNICAL DATA:	
HANDLE MATERIAL:	RED GF NYLON 6
UPPER HOUSING MATERIAL:	ZINC DIECAST
LOWER HOUSING MATERIAL:	GP PHENOLIC
MIN. INSULATION RESISTANCE:	100 Mohm
DIELECTRIC WITHSTAND VOLTAGE:	1,100V - 1min.
VOLTAGE DROP MAX.:	0.175
VOLTAGE:	48 VDC
CONTINUOUS RATING:	300 A
OVERLOAD:	750A - 180sec.
	1,500A - 30sec.
SEALING:	IP67
VIBRATION:	4G / 50-2kHz
SHOCK:	6G / 11ms
TEMPERATURE RANGE:	-40 to +85C
TERMINAL TORQUE:	155 in.Lbs
MOUNTING TORQUE:	18 ft.Lbs



SHALLCO
 308 COMPONENTS DRIVE, SMITHFIELD, NC 27577 USA
 DO NOT SCALE DRAWING

TITLE: **LOCKOUT BATTERY DISCONNECT 48VDC-300AMPS**

BLANK WEIGHT: - PART WEIGHT: 0.88 LBS

SIZE **A** DWG. NO. **502D-300** SHEET 1 OF 1 REV. **B**

SCALE:1:2 FILENAME: 502D-300

PROPRIETARY AND CONFIDENTIAL
 This document contains proprietary data for products designed by Shallco, Inc., of Smithfield, NC. No disclosure; reproduction, or use of any part thereof may be made except by written permission.

REV.	DESCRIPTION	DATE	APP'D
REVISIONS			

DWG NO: 502D-300