

10 9 8 7 6 5 4 3 2 1

F

E

D

C

B

A

F

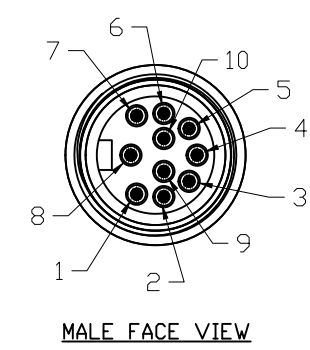
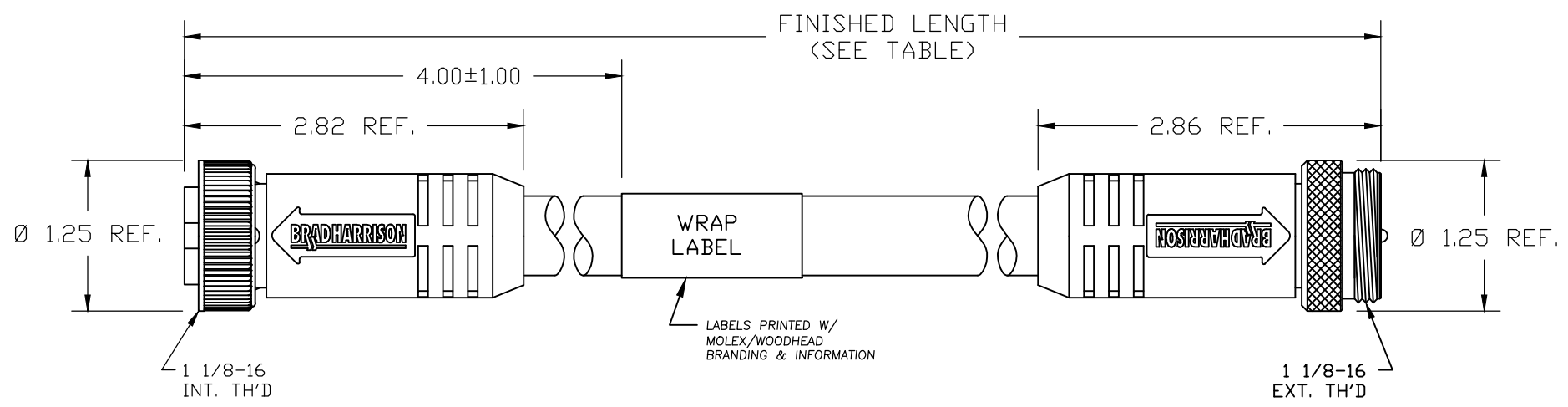
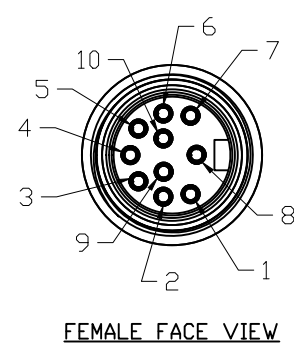
E

D

C

B

A



1	ORANGE	1
2	BLUE	2
3	WHITE/BLACK	3
4	RED/BLACK	4
5	GREEN/BLACK	5
6	ORANGE/BLACK	6
7	RED	7
8	GREEN/YELLOW	8
9	BLACK	9
10	WHITE	10

SPECIFICATIONS:

COUPLING NUT: (FEMALE) ZINC DIECAST W/ BLACK ELECTROPHORETIC COATING
 (MALE) BLACK ANODIZED ALUMINUM
 CONTACT MATERIAL: GOLD/NICKEL OVER COPPER ALLOY
 INSERT MATERIAL: YELLOW TPE
 OVERMOLD MATERIAL: YELLOW TPE

CABLE: #16/10 YELLOW TPE
 TC-ER & FT4 RATED

ASSEMBLY RATING: 600V, 9A

ENVIRONMENTAL: -20°C TO 90°C
 IP67 WHEN MATED

AGENCY APPROVALS: UL LISTED

MOLEX SAP P/N#	ENGINEERING P/N#	"L" (Meters)	"L" (INCH)	TOLERANCE (INCH)
1300120605	331030K13M005	0.5 M	19.68"	+1.75"/-0.00"
1300120572	331030K13M010	1.0 M	39.37"	+2.19"/-0.00"
1300120606	331030K13M015	1.5 M	59.05"	+2.19"/-0.00"
1300120573	331030K13M020	2.0 M	78.74"	+3.50"/-0.00"
1300120607	331030K13M025	2.5 M	98.42"	+3.50"/-0.00"
1300120574	331030K13M030	3.0 M	118.11"	+3.50"/-0.00"
1300120608	331030K13M035	3.5 M	137.79"	+3.50"/-0.00"
1300120575	331030K13M040	4.0 M	157.48"	+6.50"/-0.00"
1300120522	331030K13M050	5.0 M	196.85"	+6.50"/-0.00"
1300120576	331030K13M060	6.0 M	236.22"	+6.50"/-0.00"
1300120577	331030K13M080	8.0 M	314.96"	+12.50"/-0.00"
1300120578	331030K13M100	10.0 M	393.70"	+12.50"/-0.00"
1300120579	331030K13M120	12.0 M	472.44"	+12.50"/-0.00"
1300120580	331030K13M150	15.0 M	590.55"	+24.50"/-0.00"
1300120581	331030K13M200	20.0 M	787.40"	+24.50"/-0.00"
1300120582	331030K13M250	25.0 M	984.25"	+24.50"/-0.00"
1300120521	331030K13M300	30.0 M	1181.10"	+24.50"/-0.00"
1300120583	331030K13M400	40.0 M	1574.80"	+31.50"/-0.00"
1300120584	331030K13M500	50.0 M	1968.50"	+39.37"/-0.00"
1300120585	331030K13M600	60.0 M	2362.20"	+47.24"/-0.00"

MECHANICAL CHARACTERISTICS:

TORSIONAL FLEX TEST	20 MILLION CYCLES PER MIL-C-13777G
BEND FLEX TEST	20 MILLION CYCLES PER MIL-C-13777G
WELD SLAG RESISTANCE	WOODHEAD STANDARD S-300

ADDED MECHANICAL CHARACTERISTICS

EC NO: IPG2015-1830
 DRWN: GJUSTAFS 2015/04/20
 CHKD: BARDEN 2015/06/19
 APPR: BWOODMAN 2013/04/05

QUALITY SYMBOLS ▽=0 ∇=0	GENERAL TOLERANCES (UNLESS SPECIFIED)		DIMENSION STYLE INCH ONLY		SCALE 3:4	DESIGN UNITS INCH	THIRD ANGLE PROJECTION
	4 PLACES	±---	±---	DRAWN BY VOU	DATE 2012/02/27	TITLE MINI-CHANGE CORDSET 10P MALE/FEMALE ST/ST #16/10 TPE CABLE	
DESCRIPTION REV A	3 PLACES	±---	±.005	CHECKED BY TWOLEDGE	DATE 2013/03/04		MOLEX MOLEX INCORPORATED
	2 PLACES	±0.13	±.010	APPROVED BY JFMURPHY	DATE 2013/04/05	DOCUMENT NO. SD-130012-006	
	1 PLACE	±0.25	±.020	MATERIAL NO.		SHEET NO. 1 OF 1	
	ANGULAR ±1/2°		DRAFT WHERE APPLICABLE MUST REMAIN WITHIN DIMENSIONS		SEE CHART		
	THIS DRAWING CONTAINS INFORMATION THAT IS PROPRIETARY TO MOLEX INCORPORATED AND SHOULD NOT BE USED WITHOUT WRITTEN PERMISSION						

10 9 8 7 6 5 4 3 2 1