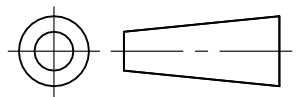


DO NOT SCALE

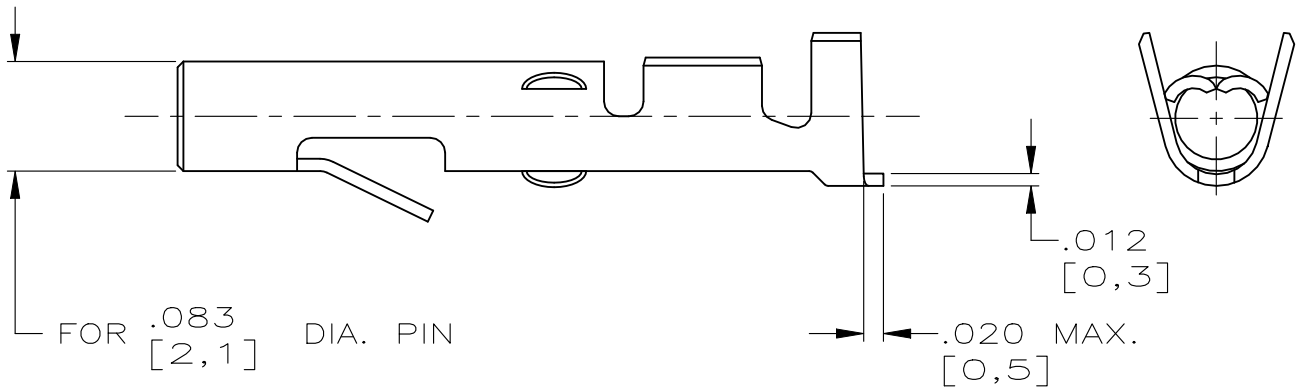
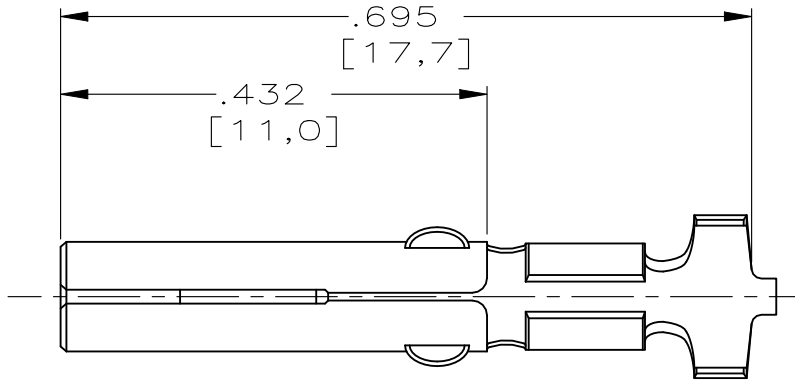
DIMENSIONS IN INCH

INCH

THIRD ANGLE
PROJECTION



WIRE RANGE :
0,5-1,0mm² AWG
INSULATION RANGE :
.070-.130 DIA.
(1,8-3,3)



		PRE TIN	Ph BRONZE	163304-4
		NONE	Ph BRONZE	163304-3
		PRE TIN	BRASS	163304-2
	OBSOLETE	NONE	BRASS	-163304-1-
		FINISH	MATERIAL	PARTNUMBER

CUSTOMER DRAWING FOR REFERENCE ONLY
WILL NOT BE UPDATED

THIS DRAWING IS UNPUBLISHED
RELEASED FOR PUBLICATION _____, 19____



NAME
POCKET MATE-N-LOK
LOOSE PIECE

D2	REVISED PER ECR-21-101087	PJ	VS	05MAY2021
D1	REVISED PER ECO-11-005294	RK	HMR	02APR11
LTR.	REVISION RECORD	DR.	CHK.	DATE

DR.:	D.KESSLER	CHK.:	P.BEJNON	APP.:	-	DWG.No.	163304	REV.LTR.	D2	SHEET	1 OF 1	A2
DATE:	-	DATE:	-	DATE:	-							