

| PART NUMBER | REV | TERMINATOR | FEED TYPE | DESCRIPTION |
|-------------|-----|------------|----------------|--------------------|
| 1528571-1 | C | LEADMAKER | MECH POST FEED | CUTS CARRIER |
| 1528571-2 | C | BENCH | MECH PRE FEED | CUTS CARRIER |
| 1528571-6 | C | LEADMAKER | MECH POST FEED | CONTINUOUS CARRIER |
| 7-1528571-1 | C | LEADMAKER | MECH POST FEED | -1 AND SPARE PARTS |
| 7-1528571-2 | C | BENCH | MECH PRE FEED | -2 AND SPARE PARTS |
| 7-1528571-6 | C | LEADMAKER | MECH POST FEED | -6 AND SPARE PARTS |
| 7-1528571-7 | A | - | - | SPARE PARTS KIT |

| CRIMP | SIZE | TYPE | RANGE |
|-------|-----------------|---------|-----------------------------|
| WIRE | 1.57 [0.062 IN] | F | 0.75 - 1.00mm ² |
| INSUL | 2.03 [0.080 IN] | SPECIAL | 1.70-2.10mm [0.067-.083 IN] |

WIRE STRIP LENGTH 3.1-3.4 mm [0.122-.134 IN]

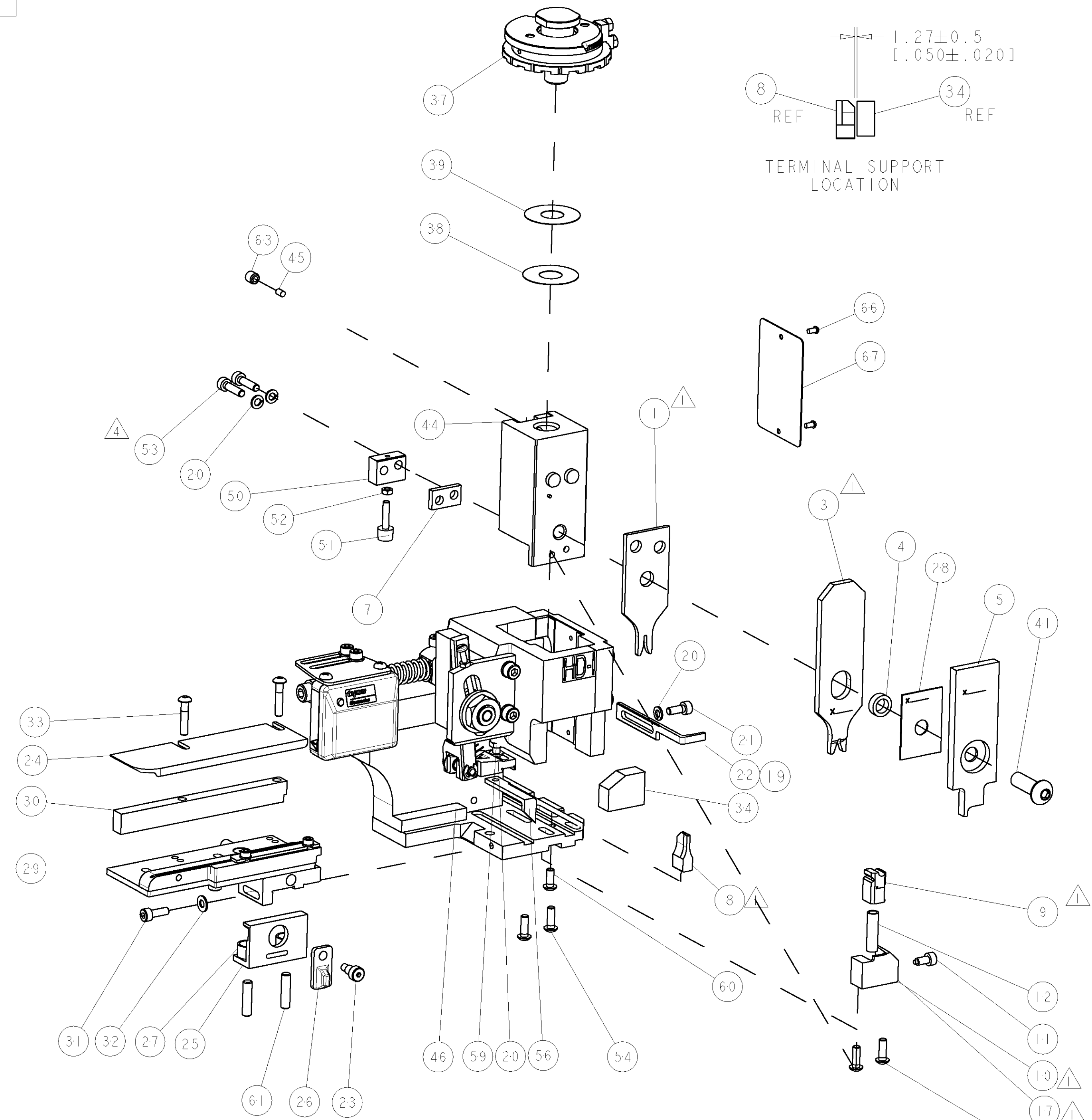
APPL INSTRUCTIONS 408-8322 & 408-8490

| TERMINAL APPL SPEC | KOSTAL DATA SHT | FEED |
|--------------------|-----------------|-----------------|
| MLK 1.2 FLY | - | 8.00 [0.315 IN] |

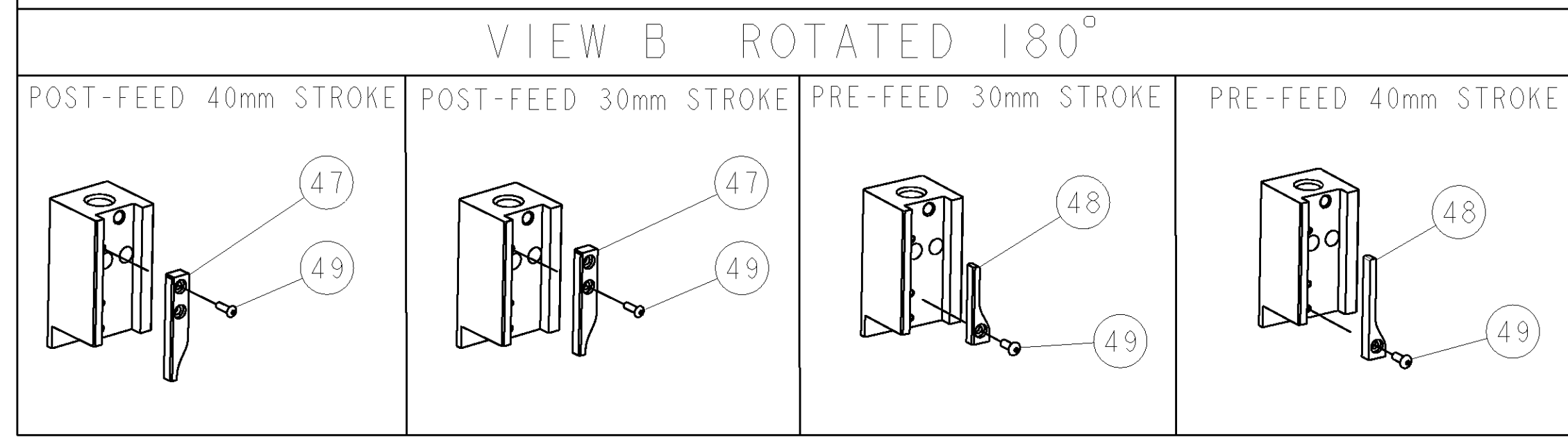
| TE PN | MANUF PN | - | - |
|-----------|-------------|---|---|
| 1572794-1 | 22124614200 | - | - |
| 1572794-2 | 22125614200 | - | - |
| 1572794-3 | 22140614200 | - | - |
| 1572794-4 | 32124734080 | - | - |

| WIRE SIZE | CRIMP HEIGHT | REF SETTING |
|---------------------|-----------------------------|-------------|
| 1.00mm ² | 1.20 ±0.05 [0.047 ±.002 IN] | C 0 |
| 0.75mm ² | 1.10 ±0.05 [0.043 ±.002 IN] | D 0 |

- RECOMMENDED SPARE PARTS
- GREASE RAM, CAM, CAM FOLLOWER AND FEED ROD LIGHTLY
- LUBRICATE DAILY PER THE APPLICATOR INSTRUCTION SHEET SUPPLIED WITH THE APPLICATOR
- CUT TO LENGTH AT ASSEMBLY



* WARNING
ON INSTALLATION, SET WIRE DISC TO LARGEST WIRE SIZE SETTING. USE OF SETTINGS BELOW MIN. REQUIRED CRIMP HEIGHT SETTING WILL CAUSE DAMAGE TO CRIMP TOOLING.



| -77 | -76 | -72 | -71 | -6 | -2 | -1 | PART NO | DESCRIPTION | ITEM NO |
|-----|-----|-----|-----|----|----|----|---------|-------------|---------|
| - | - | - | - | - | - | - | - | - | 84 |
| - | - | - | - | - | - | - | - | - | 83 |
| - | - | - | - | - | - | - | - | - | 82 |
| - | - | - | - | - | - | - | - | - | 81 |
| - | - | - | - | - | - | - | - | - | 80 |
| - | - | - | - | - | - | - | - | - | 79 |
| - | - | - | - | - | - | - | - | - | 78 |
| - | - | - | - | - | - | - | - | - | 77 |
| - | - | - | - | - | - | - | - | - | 76 |
| - | - | - | - | - | - | - | - | - | 75 |
| - | - | - | - | - | - | - | - | - | 74 |

| SET UP GAGE 458637-3 | | LOC | DIST | REVISONS | | | |
|----------------------|-----|-------------------|-----------|----------|------|--|--|
| P | LTR | DESCRIPTION | DATE | BY | APPD | | |
| A | | SEE ECO-05-012632 | 31OCT2005 | LJL | MC | | |
| B | | ECR-07-011323 | 14MAY2007 | MY | TE | | |
| C | | ECR-07-026589 | 06NOV2007 | MY | TE | | |

| | | | | | | | | | |
|---|---|---|---|---|---|---|---|---|----|
| - | - | - | - | - | - | - | - | - | 73 |
| - | - | - | - | - | - | - | - | - | 72 |
| - | - | - | - | - | - | - | - | - | 71 |
| - | - | - | - | - | - | - | - | - | 70 |
| - | - | - | - | - | - | - | - | - | 69 |
| - | - | - | - | - | - | - | - | - | 68 |
| - | - | - | - | - | - | - | - | - | 67 |
| - | - | - | - | - | - | - | - | - | 66 |
| - | - | - | - | - | - | - | - | - | 65 |
| - | - | - | - | - | - | - | - | - | 64 |
| - | - | - | - | - | - | - | - | - | 63 |
| - | - | - | - | - | - | - | - | - | 62 |
| - | - | - | - | - | - | - | - | - | 61 |
| - | - | - | - | - | - | - | - | - | 60 |
| - | - | - | - | - | - | - | - | - | 59 |
| - | - | - | - | - | - | - | - | - | 58 |
| - | - | - | - | - | - | - | - | - | 57 |
| - | - | - | - | - | - | - | - | - | 56 |
| - | - | - | - | - | - | - | - | - | 55 |
| - | - | - | - | - | - | - | - | - | 54 |
| - | - | - | - | - | - | - | - | - | 53 |
| - | - | - | - | - | - | - | - | - | 52 |
| - | - | - | - | - | - | - | - | - | 51 |
| - | - | - | - | - | - | - | - | - | 50 |
| - | - | - | - | - | - | - | - | - | 49 |
| - | - | - | - | - | - | - | - | - | 48 |
| - | - | - | - | - | - | - | - | - | 47 |
| - | - | - | - | - | - | - | - | - | 46 |
| - | - | - | - | - | - | - | - | - | 45 |
| - | - | - | - | - | - | - | - | - | 44 |
| - | - | - | - | - | - | - | - | - | 43 |
| - | - | - | - | - | - | - | - | - | 42 |
| - | - | - | - | - | - | - | - | - | 41 |
| - | - | - | - | - | - | - | - | - | 40 |
| - | - | - | - | - | - | - | - | - | 39 |
| - | - | - | - | - | - | - | - | - | 38 |
| - | - | - | - | - | - | - | - | - | 37 |
| - | - | - | - | - | - | - | - | - | 36 |
| - | - | - | - | - | - | - | - | - | 35 |
| - | - | - | - | - | - | - | - | - | 34 |
| - | - | - | - | - | - | - | - | - | 33 |
| - | - | - | - | - | - | - | - | - | 32 |
| - | - | - | - | - | - | - | - | - | 31 |
| - | - | - | - | - | - | - | - | - | 30 |
| - | - | - | - | - | - | - | - | - | 29 |
| - | - | - | - | - | - | - | - | - | 28 |
| - | - | - | - | - | - | - | - | - | 27 |
| - | - | - | - | - | - | - | - | - | 26 |
| - | - | - | - | - | - | - | - | - | 25 |
| - | - | - | - | - | - | - | - | - | 24 |
| - | - | - | - | - | - | - | - | - | 23 |
| - | - | - | - | - | - | - | - | - | 22 |
| - | - | - | - | - | - | - | - | - | 21 |
| - | - | - | - | - | - | - | - | - | 20 |
| - | - | - | - | - | - | - | - | - | 19 |
| - | - | - | - | - | - | - | - | - | 18 |
| - | - | - | - | - | - | - | - | - | 17 |
| - | - | - | - | - | - | - | - | - | 16 |
| - | - | - | - | - | - | - | - | - | 15 |
| - | - | - | - | - | - | - | - | - | 14 |
| - | - | - | - | - | - | - | - | - | 13 |
| - | - | - | - | - | - | - | - | - | 12 |
| - | - | - | - | - | - | - | - | - | 11 |
| - | - | - | - | - | - | - | - | - | 10 |
| - | - | - | - | - | - | - | - | - | 9 |
| - | - | - | - | - | - | - | - | - | 8 |
| - | - | - | - | - | - | - | - | - | 7 |
| - | - | - | - | - | - | - | - | - | 6 |
| - | - | - | - | - | - | - | - | - | 5 |
| - | - | - | - | - | - | - | - | - | 4 |
| - | - | - | - | - | - | - | - | - | 3 |
| - | - | - | - | - | - | - | - | - | 2 |
| - | - | - | - | - | - | - | - | - | 1 |

| DATE | BY | DESCRIPTION |
|-----------|--------------|-------------|
| 06-Nov-07 | J. LOFTHOUSE | REVISED |
| 06-Nov-07 | E. BACKHURST | REVISED |

| DIMENSIONS: | TOLERANCES UNLESS OTHERWISE SPECIFIED: |
|-------------|--|
| mm [IN] | 0 PLC ± |
| | 1 PLC ± |
| | 2 PLC ± |
| | 3 PLC ± |
| | 4 PLC ± |
| | ANGLES ± |

| MATERIAL | FINISH | WEIGHT | CUSTOMER DRAWING |
|----------|--------|--------|------------------|
| - | - | - | - |

| SIZE | CAGE CODE | DRAWING NO | RESTRICTED TO |
|------|-----------|------------|---------------|
| A | 00779 | C=1528571 | - |

| SCALE | SHEET | OF | REV |
|-------|-------|----|-----|
| 3:5 | 1 | 1 | C |