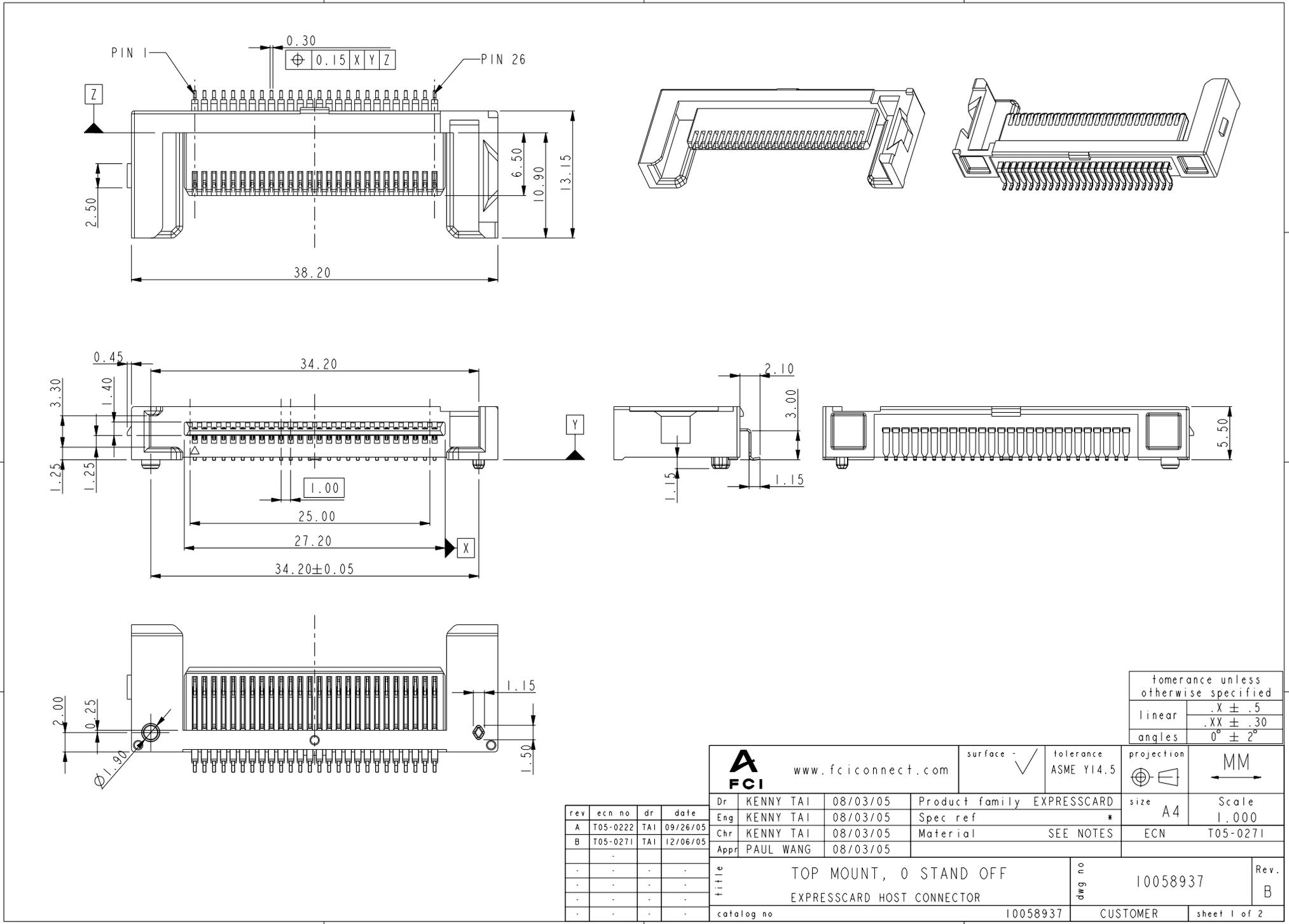


Tous droits strictement réservés. Reproduction ou communication à des tiers interdite sous quelque forme que ce soit sans autorisation écrite du propriétaire. Propriété de c FCI. Droits de reproduction FCI.



All rights strictly reserved. Reproduction or issue to third parties in any form whatever is not permitted without written authority from the proprietor. Property of FCI. Copyright FCI.



rev	ecn no	dr	date
A	T05-0222	TAI	09/26/05
B	T05-0271	TAI	12/06/05
-	-	-	-
-	-	-	-
-	-	-	-

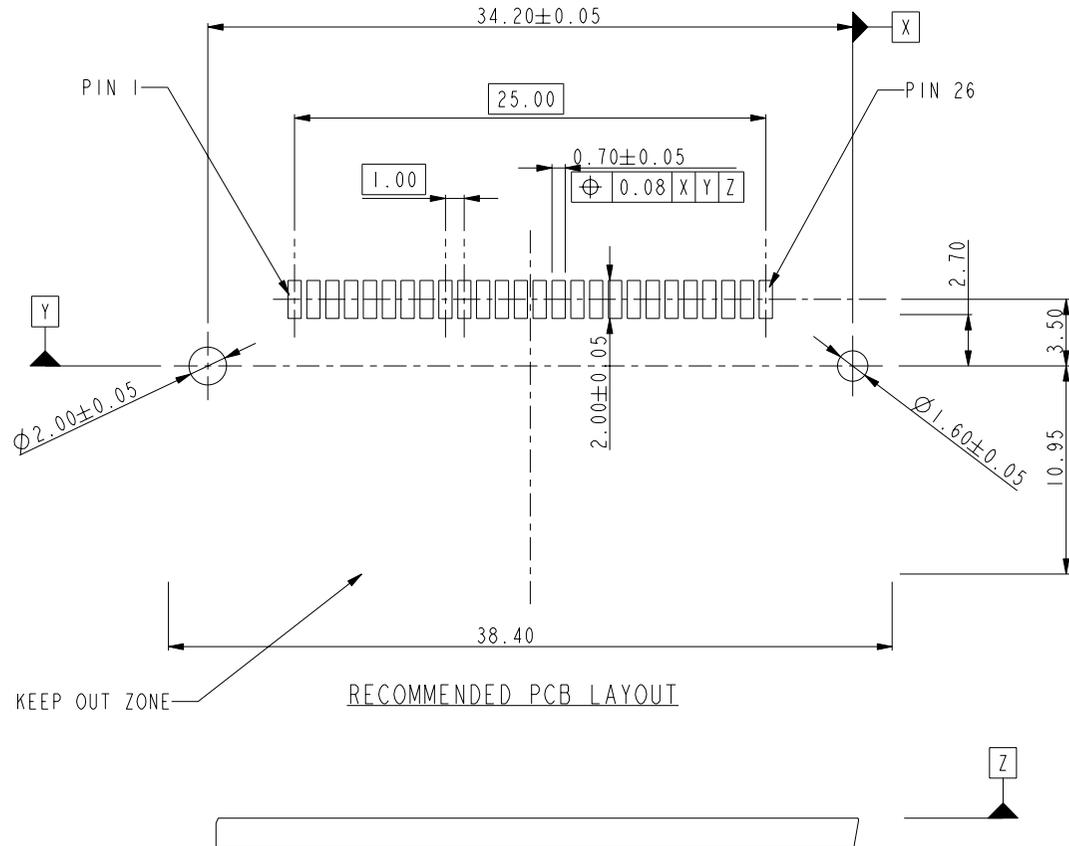
FCI www.fciconnect.com		surface <input checked="" type="checkbox"/>	tolerance ASME Y14.5	projection	MM
Dr	KENNY TAI	08/03/05	Product family	EXPRESSCARD	size A4
Eng	KENNY TAI	08/03/05	Spec ref	*	Scale 1.000
Chr	KENNY TAI	08/03/05	Material	SEE NOTES	ECN T05-0271
Appr	PAUL WANG	08/03/05			
title			TOP MOUNT, 0 STAND OFF		dwg no 10058937
title			EXPRESSCARD HOST CONNECTOR		
catalog no			10058937	CUSTOMER	Rev. B

tolerance unless otherwise specified	
linear	.X ± .5
angles	.XX ± .30
	0° ± 2°

Tous droits strictement reserves. Reproduction ou communication a des tiers interdite sous quelque forme que ce soit sans autorisation écrite du propriétaire. Propriete de FCI. Droits de reproduction FCI.

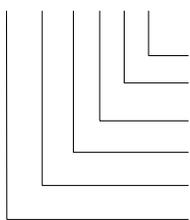


All rights strictly reserved. Reproduction or issue to third parties in any form whatever is not permitted without written authority from the proprietor. Property of FCI. Copyright FCI.



NOTES :

1. MATERIAL:
HOUSING: HIGH TEMPERATURE THERMOPLASTIC,
UL 94 V-0 FLAME RETARDANT.
TERMINAL: COPPER ALLOY.
PLATING SPEC. AS BELOW :
Ni 50u" UNDER PLATED.
Au OR GXT 30u" OVER CONTACT AREA. (ONE SIDE)
Tin 120u" OVER SOLDERING AREA.
2. PACKING SPEC. GS-14-924.
3. PRODUCT PERFORMANCE PER SPEC. GS-12-285.
4. PART NUMBER SCHEME: (EX. 10058937-100ABSMFLF)
10058937-X XX X X X X LF (LEAD FREE)



SPEC.	OPTION (CODE)		
MYLAR	WITH (M)	WITHOUT ()	
PACKING	TRAY (S)	TAPE & REEL (T)	TUBE (P)
HSG COLOR	BLACK (B)	NATURE (N)	
MOUNT SIDE	ABOVE (A)		
STAND-OFF	0 (00)		
PLATING	GOLD (1)	GXT (2)	

5. RoHS COMPATIBLE PRODUCT SPECIFICATIONS
 - a-PLATING:
-"LF" MEANS THE PRODUCT IS LEAD-FREE, 2micro-meter MINIMUM MATTE TIN OVER 1.27micro-meter MINIMUM NICKEL UNDERPLATE.
 - b-MANUFACTURING PROCESS COMPATIBILITY.
-THE HOUSING WILL WITHSTAND EXPOSURE TO 260°C±5°C SOLDER BATH TEMPERATURE FOR 5 SECONDS IN A REFLOW SOLDER APPLICATION WITH A 1.6mm MIN THICK CIRCUIT BOARD.
6. UMNATING FORCE: 18.5N MAX.

title	TOP MOUNT, 0 STAND OFF EXPRESSCARD HOST CONNECTOR	dwg no	10058937	Rev.	B
catalog no	10058937	CUSTOMER	sheet 2 of 2		