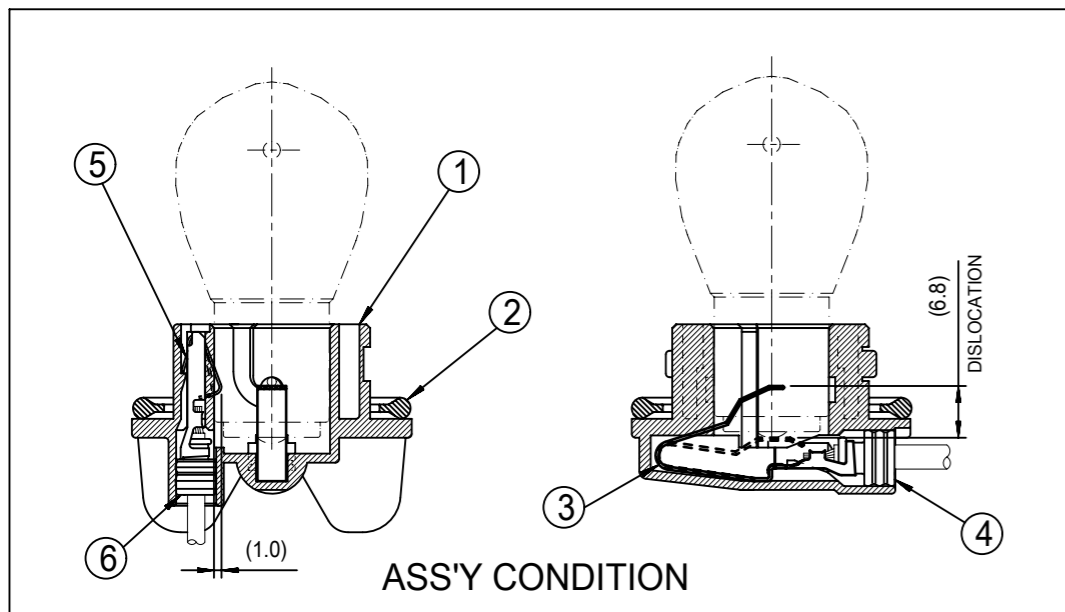
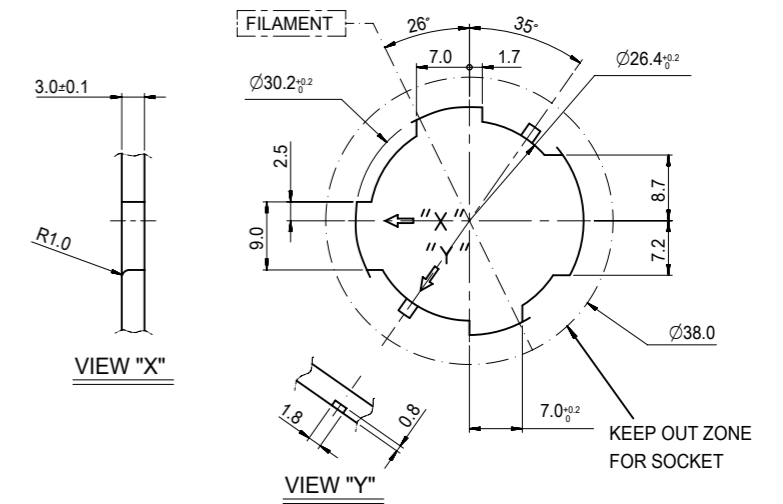
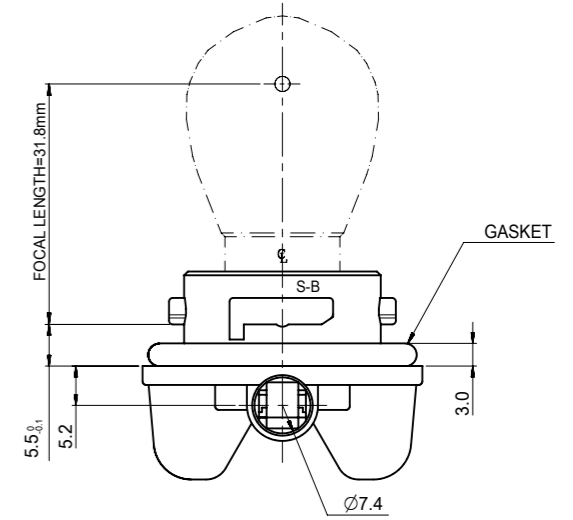
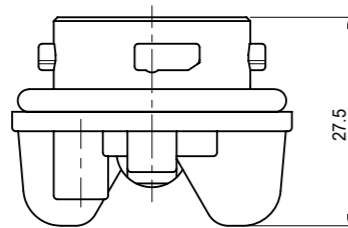
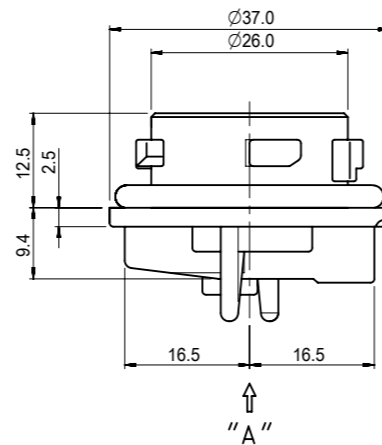
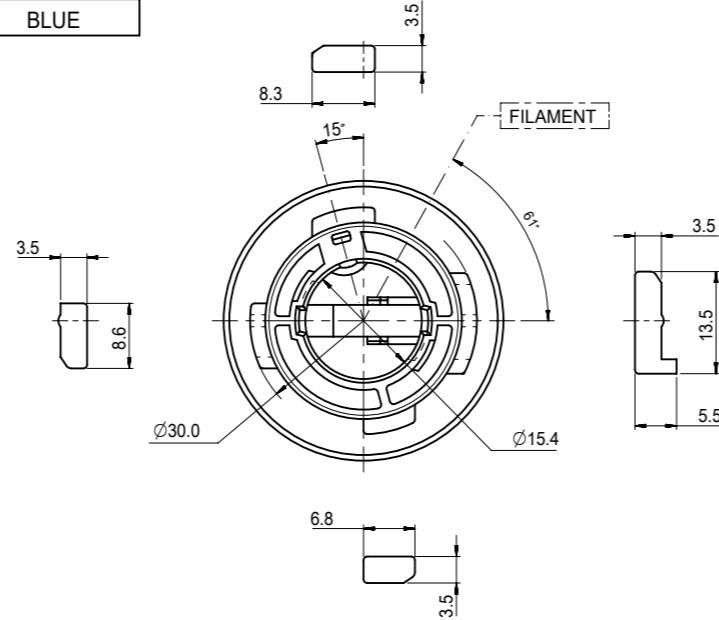
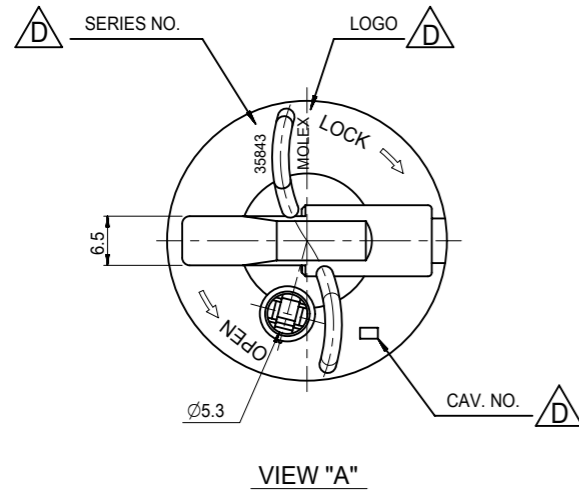


- NOTES
1. FOCAL LENGTH = 31.8mm
  2. PRODUCT SPECIFICATION: PS-35842-001
  3. APPLICABLE BULB CAP: P21W(BA15s)
  4. MATES WITH

<PART LIST>

NO.	DESCRIPTION	MATERIAL	USAGE	REMARK
①	SINGLE SOCKET	PA66 M/F	1	B TYPE
②	SEAL GASKET	NBR	1	BLACK

NO.	DESCRIPTION	MATERIAL	ORDER NO.	REMARK
③	POSITIVE TERMINAL	PHOSPHOR BRONZE	35464-8000	UNPLATED
④	POSITIVE WIRE SEAL	SILICONE	35903-0096	BROWN
⑤	EARTH TERMINAL	PHOSPHOR BRONZE	35465-8000	UNPLATED
⑥	EARTH WIRE SEAL	SILICONE	35903-0106	BLUE



<TABLE 1>

MATERIAL NO.	ORDER NO.	COLOR
358431211	35843-1211	BLACK
358431215	35843-1215	GRAY
358431216	35843-1216	WHITE
358431217	35843-1217	BROWN

THIS DRAWING CONTAINS INFORMATION THAT IS PROPRIETARY TO MOLEX ELECTRONIC TECHNOLOGIES, LLC AND SHOULD NOT BE USED WITHOUT WRITTEN PERMISSION

DIMENSION UNITS	SCALE	CURRENT REV DESC: OBSOLETE PART NUMBER.	<b>molex</b>		
MM	NTS				
GENERAL TOLERANCES (UNLESS SPECIFIED)			SEALED PT BULB SOCKET SINGLE HOUSING ASS'Y (B-TYPE)		
4 PLACES	±		PRODUCT CUSTOMER DRAWING		
3 PLACES	±		DOCUMENT NUMBER		
2 PLACES	± 0.15		DOC TYPE DOC PART REVISION		
1 PLACE	± 0.25		SD-35843-002 PSD 001 E		
0 PLACES	±		MATERIAL NUMBER CUSTOMER SHEET NUMBER		
ANGULAR TOL	± 2.0°		SEE TABLE 1 GENERAL MARKET 1 OF 1		
DRAFT WHERE APPLICABLE MUST REMAIN WITHIN DIMENSIONS			THIRD ANGLE PROJECTION	DRAWING	SERIES
				A3-SIZE	35843