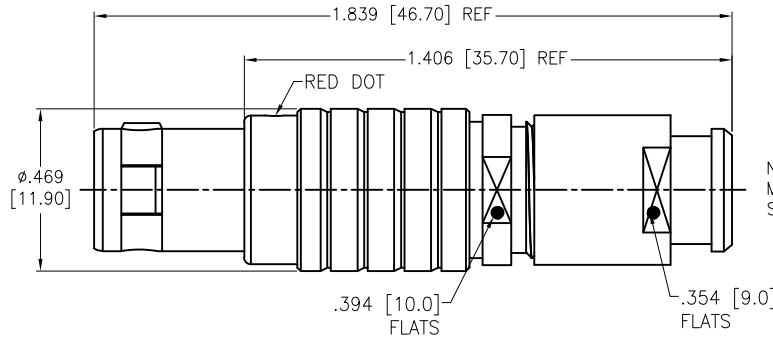


APPROVED: \_\_\_\_\_

DATE: \_\_\_\_\_ TITLE: \_\_\_\_\_

Rev	AWO #	Description	Date	Appr
-		RELEASED	8/16/21	
A		UPDATE DRAWING	3/2/23	LH/AC1
B		UPDATED SPEC.	3/16/23	JJ/KC
C		UPDATED DRAWING	7/11/23	WX/LL1



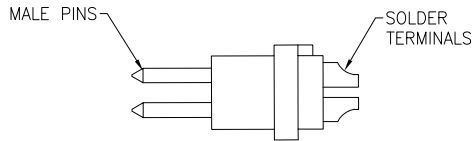
NOTE; BEND RELIEF MUST BE ORDERED SEPARATELY

MMI-M1PXXXSXXB

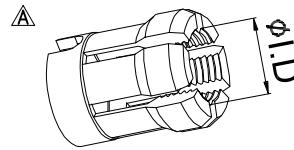
ALIGNMENT KEY	
G	= 0°
A	= 30°
B	= 60°
C	= 90°

CABLE COLLET SIZE	
42	= 3.2mm ~ 4.2mm ID
52	= 4.2mm ~ 5.2mm ID
62	= 5.2mm ~ 6.2mm ID
72	= 6.2mm ~ 7.2mm ID

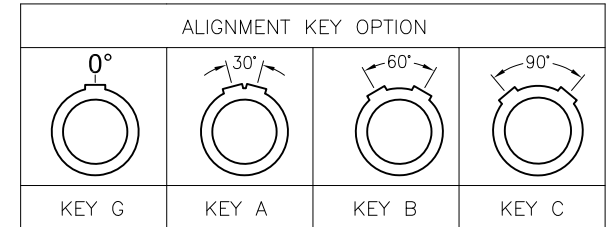
# OF POSITIONS
02, 03, 04, 05, 06, 07, 08, 10, 14 & 16



DETAIL



CABLE COLLET



SPECIFICATIONS:

Material:  
 Housing (Body): Brass, Natural Chrome plated  
 Insulator: PPS  
 Terminal: Brass, Gold Plated  
 Electrical:  
 Voltage Rating: Refer to chart  
 Current Rating: See chart  
 Dielectric withstanding voltage: See chart  
 Electrical Life: 5,000 Cycles min.  
 Temperature Rating:  
 Operating temperature: -55°C to +150°C  
 Environmental:  
 IP50 Protection (Mated Condition)  
 Lead free, RoHS compliant



	2 Pin	3 Pin	4 Pin	5 Pin	6 Pin	7 Pin	8 Pin	10 Pin	14 Pin	16 Pin
Configuration										
Diameter of Pin	Ø1.3	Ø1.3	Ø0.9	Ø0.9	Ø0.7	Ø0.7	Ø0.7	Ø0.5	Ø0.5	Ø0.5
Testing Voltage	1350V	1300V	1350V	1150V	1050V	950V	950V	900V	800V	800V
Rated Current / Pin	9A	9A	8A	7A	5A	5A	5A	2A	2A	2A
Max. Wire Awg	20	20	22	22	22	22	22	28	28	28

UNLESS OTHERWISE SPECIFIED ALL DIMENSIONS ARE INCHES [MM]. TOLERANCES: EXCEPT AS NOTED

INCHES		HOLES	
.X	± .10	ØX	±.10
.XX	± .020	ØXX	±.015
.XXX	± .015	ØXXX	±.010

DRAWN	SS	8/16/21
CHECKED	SS	8/16/21
APPROVED		

THIS DRAWING CONTAINS INFORMATION THAT IS PROPRIETARY AND SHOULD NOT BE USED WITHOUT PRIOR WRITTEN PERMISSION FROM ADAM TECH



909 Rahway Avenue,  
 Union, NJ 07083  
 Phone: 908-687-5000  
 Fax: 908-687-5710

TITLE  
 PUSH-PULL CONNECTOR MALE PLUG, METAL,  
 SIZE 1, SOLDER TERMINAL, BEND RELIEF TYPE, IP50

SIZE	PART NO.	REV.
X	MMI-M1PXXXSXXB	C

REF: S00210C SCALE: NTS SHEET 1 OF 1