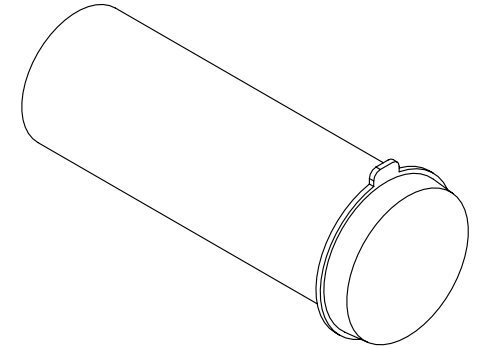
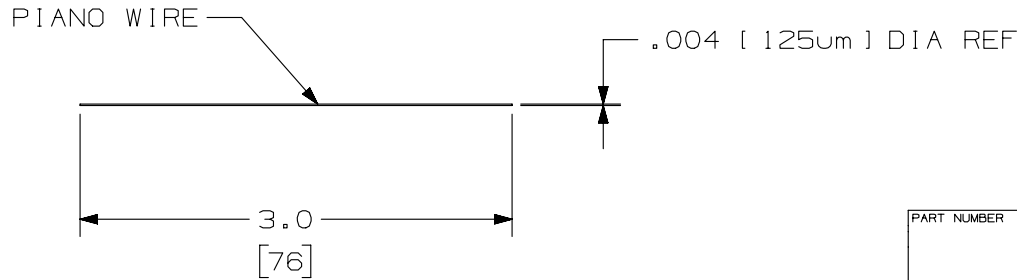
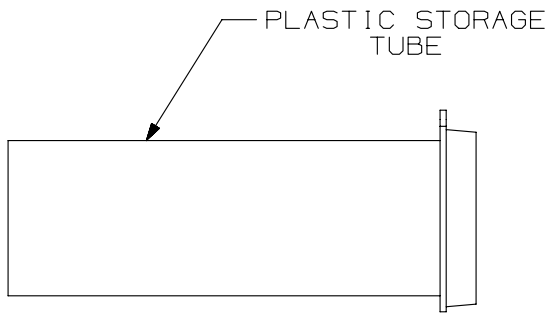


THIS COPY IS PROVIDED ON A RESTRICTED BASIS AND IS NOT TO BE USED IN ANY WAY DETRIMENTAL TO THE INTERESTS OF PANDUIT CORP.

PANDUIT PART NUMBER	WEIGHT
FPWIRE	.03 LB./TUBE [ 13.5 GRAMS/TUBE ]

NOTES:

1. SEE CURRENT CATALOG FOR ADDITIONAL PART NUMBER SUFFIXES TO INDICATE PACKAGE QUANTITIES.
2. PIANO WIRE IS INTENDED TO BE USED TO REMOVE A BROKEN FIBER FROM THE FERRULE PRIOR TO TERMINATION.
3. PIANO WIRE IS CONSTRUCTED OF CARBIDE STEEL.
4. PIANO WIRE IS PACKAGED (8) PIECES OF WIRE PER PLASTIC STORAGE TUBE.
5. ALL DIMENSIONS IN BRACKETS ARE METRIC [ mm ].



PART NUMBER		FPWIRE		
TITLE				
TERMINATION KIT PIANO WIRE				
CUSTOMER DRAWING				
ITEM REVISION NAME		M01190CC/00		
DATASET FILE NAME		M01190CC_DC/00C		
UNLESS OTHERWISE SPECIFIED, DIMENSIONAL TOLERANCES ARE: IN [ mm ]				<b>PANDUIT</b>
.x ±		.xxx ± .010 [ .3 ]		
.xx ± .03 [ .8 ]		ANGLES ±		MATERIAL:
				DRAWING NUMBER:
THIRD ANGLE PROJECTION				01190-27
DRAWN BY	DATE	CHK	SCALE	SIZE
EFK	07-24-03	RTF I	NONE	A
REV		DATE		BY
2		2/11/15		JSP
WJM		RWB		A. UPDATED DRAWING TITLE BLOCK.
APR		DESCRIPTION		ECN
2		1		

D10100DA/14