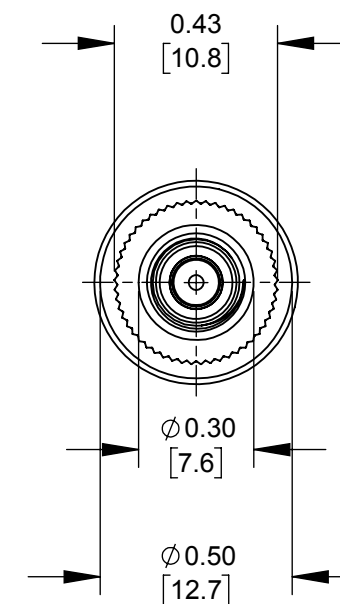
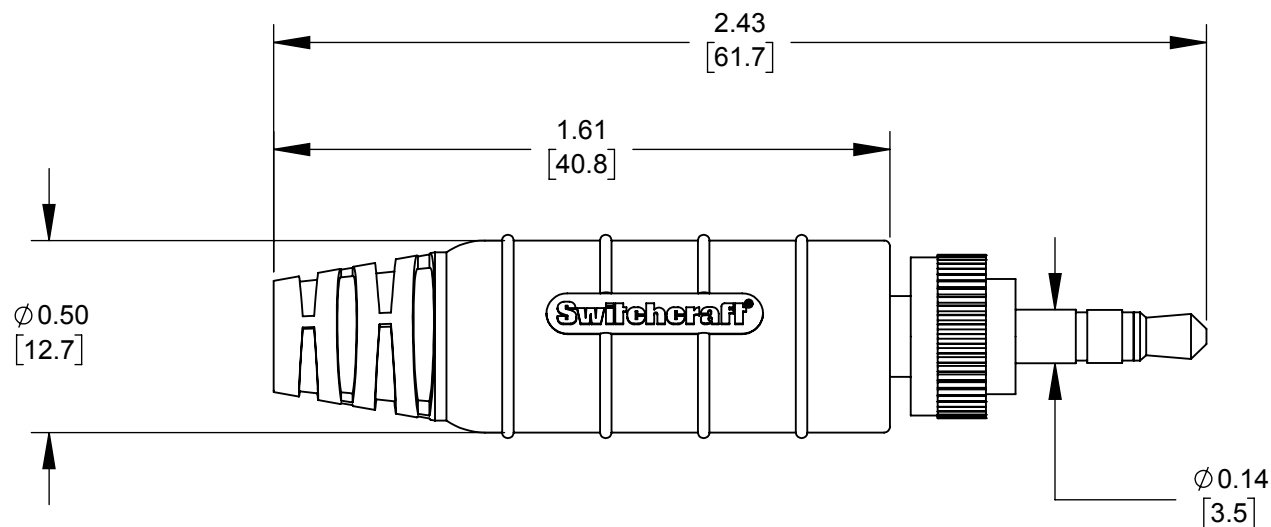
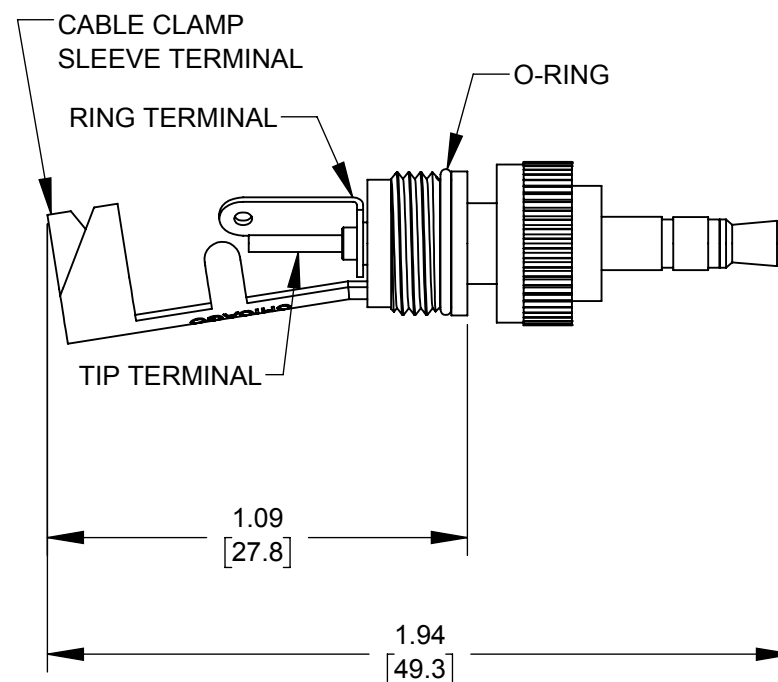
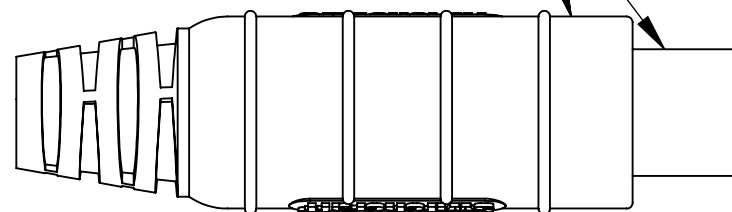


"A" REF
CABLE HOLE
SEE TABLE



OVERMOLDED HANDLE & TUBULAR INSULATOR
SHIPPED UNASSEMBLED



3 5 H D L S

LOCKING
SEALED

CABLE OD RANGE
12 - 0.125" - 0.150"
15 - 0.150" - 0.175"
17 - 0.175" - 0.210"

PLUG FINISH
N - TIN PLATED
AU - GOLD PLATED

NOTES:

1. SPECIFICATIONS:

CONTACT RESISTANCE: 20 MILIOHMS MAX.
DIELECTRIC WITHSTANDING VOLTAGE - 250 VAC MIN
INSULATION RESISTANCE @ 500 VDC - 2,000 MEGAOHMS MIN
MAX WORKING VOLTAGE - 250 VAC, 140VDC
CURRENT CARRY @ WORKING VOLTAGE - 4 AMPS
INSERT / WITHDRAWAL FORCE - TYPICAL 2.5/2 LBS
TEMPERATURE RANGE: -20°C TO 85°C (OPERATING)
PASSES IP67 & IP68 AFTER:
THERMAL SHOCK - MIL-STD-202, METHOD 107G
VIBRATION - MIL-STD-202, METHOD 201
LIFE - 5,000 CYCLES

2. MATERIALS:

PLUG BODY, TIP ROD & RING - COPPER ALLOY, TIN OR GOLD PLATED
PLUG INSULATION - THERMOPLASTIC, BLACK
RING TERMINAL - COPPER ALLOY, TIN PLATED
CABLE CLAMP - STEEL, TIN PLATED
COUPLING RING - COPPER ALLOY, NICKEL PLATED
HANDLE - COPPER ALLOY, NICKEL PLATED
OVERMOLDED THERMOPLASTIC
TUBULAR INSULATOR - MYLAR

3. THESE PRODUCTS ARE RoHS COMPLIANT.

CUSTOMER DRAWING

					THIS DRAWING DESCRIBES A DESIGN CONSIDERED PROPRIETARY IN NATURE, DEVELOPED AND MANUFACTURED BY SWITCHCRAFT INC. AND IS RELEASED ON A CONFIDENTIAL BASIS FOR IDENTIFICATION PURPOSES ONLY.						
					UNLESS OTHERWISE SPECIFIED		SIZE *	WIDTH *	MULT *	LBS/M *	TEMPER *
					1. ALL DIMENSIONS IN INCHES [mm]		FINISH *		MATERIAL *		
					- TWO PLACE DECIMALS ±0.02 [0.5]		SPEC No. *		SPEC No. *		
					- THREE PLACE DECIMALS ±0.005 [0.13]		FIRST USED ON *		SCALE 1:1		
							DATE DRAWN *	BY *	CHKD *	APVD *	
							05/17/18	AM	*	*	
							NAME 3.5MM LOCKING SEALED STEREO PLUG, RoHS		PART No. 35HDLS SERIES		
									SHEET 1 OF 1		
									REV 0A		

REV	ECO NUMBER	DATE	BY	APVD
*	*	*	*	*

DO NOT SCALE DRAWING

SolidWorks CAD File