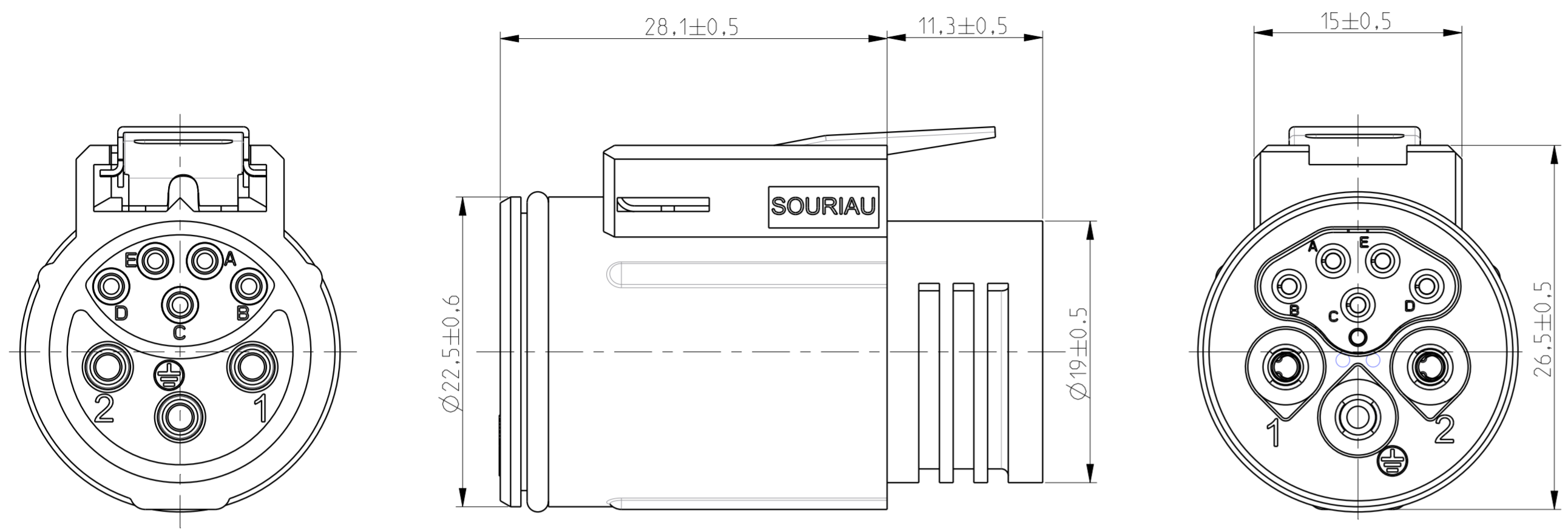


WIRING FACE

MATING FACE



MATERIALS

SHELL: PA GF REINFORCED, BLACK COLOR
 COUPLING LATCH: STAINLESS STEEL
 O'RING: LUBRICATED RED SILICON

PERFORMANCES CHARACTERISTICS

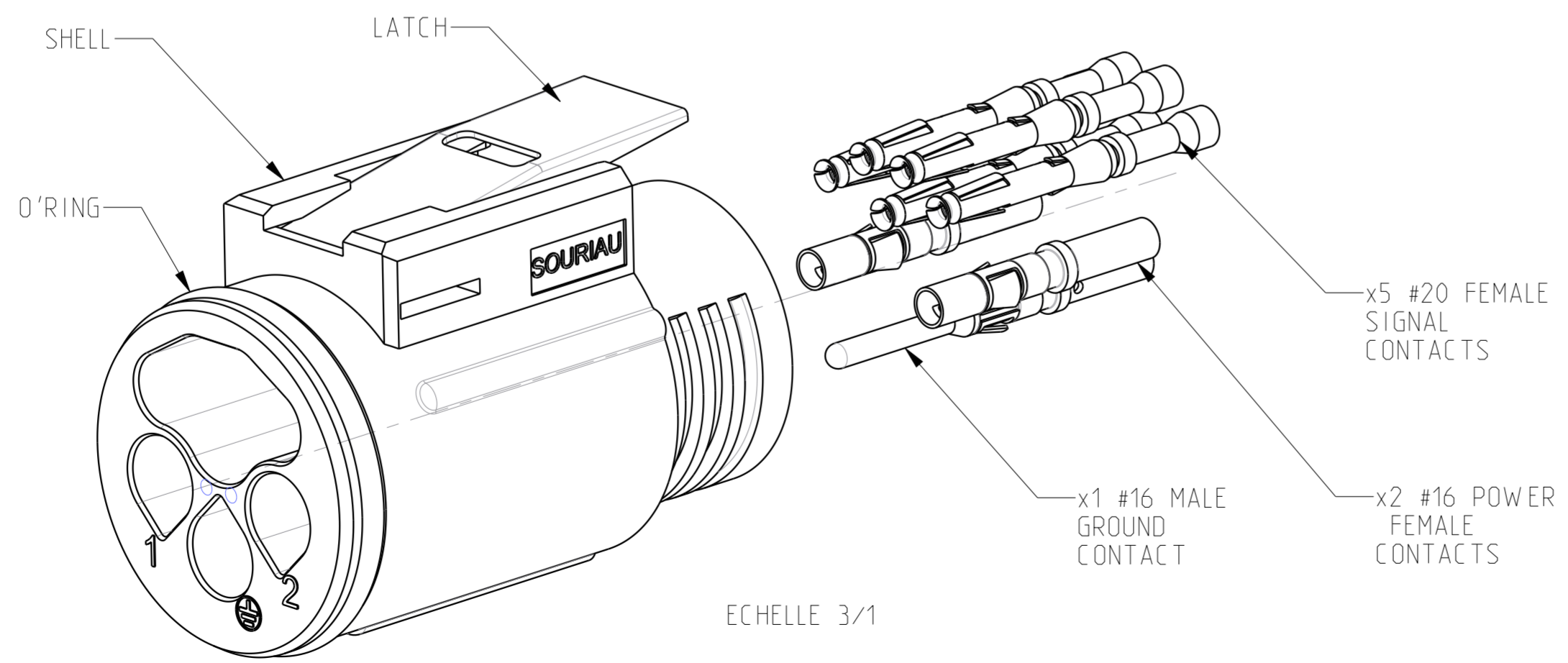
MECHANICAL		IEC61984/UL1977	-40°C TO 105°C
TEMPERATURE CLASS			
DURABILITY	IEC61984		500 MATE / UNMATE CYCLES
SEALING IN MATED CONDITIONS	IEC60529		IP68 1BAR DURING 1WEEK
SEALING IN UNMATED CONDITIONS	DIN40050		IP69K
POLLUTION DEGREE	IEC60529		IP67 WITH CAPS
CORROSION SALT SPRAY	IEC61984		4
FLAMMABILITY	UL94		MIN 1000H
OUTDOOR SUITABILITY (UV RESIST)	UL746C		MATERIAL RATING: 5VA
SCOOP PROOF			MATERIAL RATING: (f1)
ELECTRICAL			
TOUCH PROOF	IEC60529		IP2X
POWER AND GROUND LINES:			
NOMINAL CURRENT	UL1977		16A WITH AWG14 WIRE / 13A WITH AWG16 WIRE
NOMINAL CURRENT	IEC61984		16A WITH 2.5MM² WIRE / 13A WITH 1.5MM² WIRE AT 60°C
NOMINAL VOLTAGE	UL1977		600V
NOMINAL VOLTAGE	IEC61984		250VAC 4KV 4 FOR CLASS II
NOMINAL VOLTAGE	IEC61984		500VAC 6KV 4 FOR CLASS I
SIGNAL CONTACT (a,b,c,d,e) LINES:			
NOMINAL VOLTAGE	IEC61984		48V AC
NOMINAL CURRENT	IEC61984		5A

ROHS COMPLIANT

NOTES

- COUNTERPART REFERENCE UTL RECEPTACLE OR FREE HANGING
- CONNECTORS ARE DELIVERED AS PRE-ASSEMBLED KIT
- CONNECTOR BLOCKS ACCEPTS TRIM TRIO CONTACTS #16 AND #20, R*M* OR S*M* TYPES
- CONTACTS TO BE ORDERED SEPARATELY.
- WARNING: PHASE AND SIGNAL CONTACTS ARE FEMALE VERSION AND GROUND CONTACT IS MALE VERSION
- UNIT IN MM

OVERVIEW WITH CONTACTS (For information only)
 (SEE NOTA 4)



Country	Jurisdiction & Control List
FR	NOT LISTED

P/N : UTL6122G21W 5S

C	24/02/16	Tolerance range update		--
ISS	DATE	Latest modification - by:	RAGAINÉ M.	MOD N°
Designed by:		RAGAINÉ M	Date:05/03/14	CUSTOMER DRAWING
TITLE		FEMALE PLUG SIZE 12 LAYOUT 8 CONTACTS UTL CONNECTOR		
Scale	2/1	General linear Tolerances: ± 0.2	NPRDS / PROJECT UTL	
SOURIAU		WWW.SOURIAU.COM		This document is the property of SOURIAU. It must not be reproduced or communicated without permission.
FORMAT	A2	SOURIAU DRG N° UTL1-0067A-C01		SHEET 1 / 1