

② Dimension

③ DIM A	(N-1)X3.81+5.0
DIM B	(N-1)X3.81

N=Number of poles

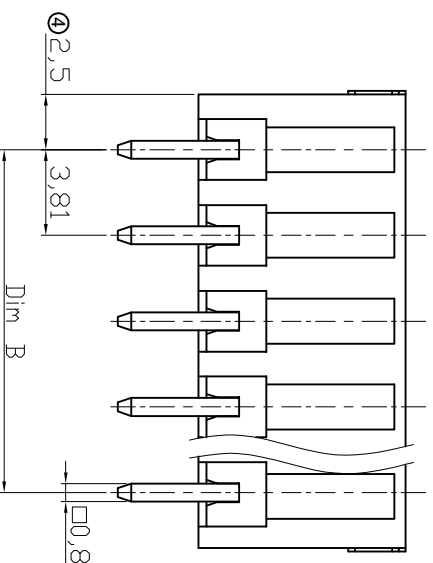
Poles	Tolerance
2P-6P	±0.15
7P-12P	±0.20
13P-18P	±0.25
19P-24P	±0.30

② Material

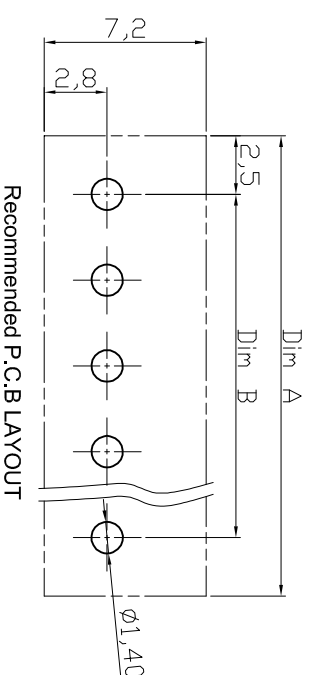
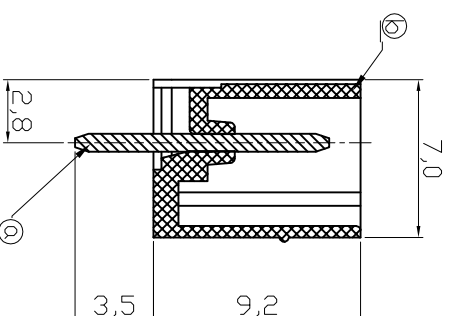
Item ① Male contact pin: Copper Tin plated  
 Item ② Terminal(housing):Thermoplastic (UL94V-0)  
 Green(RAL6018/T)

Electrical cULus/VDE

Voltage rating: 300V/300V  
 Current rating: 10A/10.5A  
 Withstanding Voltage: 1.6KV/2.5KV  
 Operating temperature: -40°C to +115°C  
 Soldering temperature: 250°C±10°C/5 Sec  
 Safety Approval:



N= NUMBER OF CONTACTS



Recommended P.C.B LAYOUT

**RoHS compliant**  
 Unit: mm  
 File No.: E349947

Scale	Free			Date	Name	Customer-No.		
<b>TOLERANCE</b>								
X.	±0.50	⑤	Add UL	15.03.2016	Amy	Drawn	10.12.2009	Dean
X.X	±0.30	④	Update the dimension	09.01.2015	Amy	Approved	15.03.2016	Amy
X.XX	±0.10	③	Update	13.03.2013	Amy			
DIM	TOL	②	Update	06.03.2013	Amy			
X.°	±1°	①	Drawn	10.12.2009	Dean			
Angle	TOL		Modification					

**ASSMANN**  
 WSW components

ASSMANN WSW-No.  
**A-TB381-0QXXCV**

ASS 3829 CO rev05

1 2 3 4 5 6 7

H G F E D C B A

SW3142 SW4107