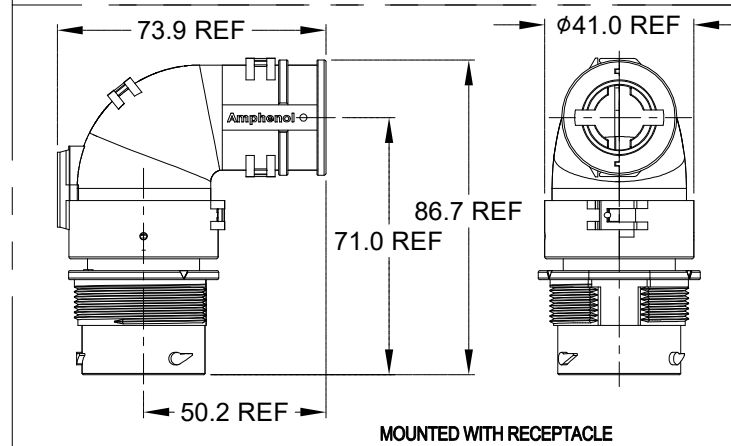
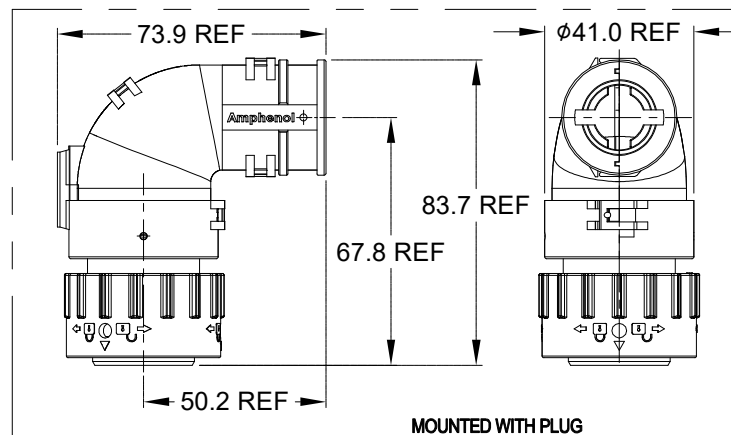
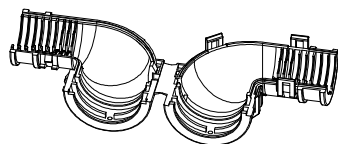
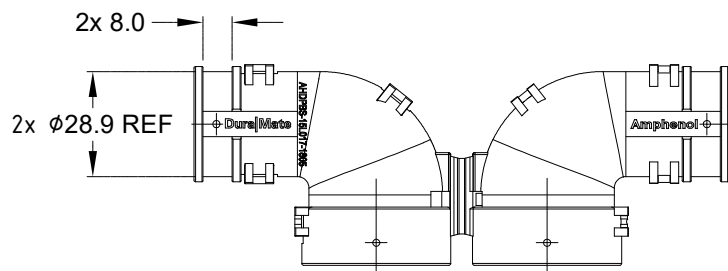
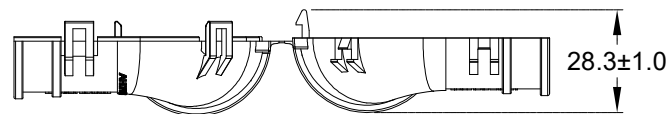
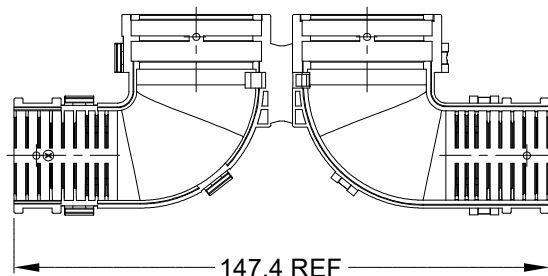


REVISIONS

REV	ECO	DESCRIPTION	DATE	BY	APPR
A1	-	FIRST ISSUE	08-MAR-22	MILO	TOMMY



NOTES: UNLESS OTHERWISE SPECIFIED

1. MATERIAL: THERMOPLASTIC, COLORS: BLACK
2. USE WITH AHDP02/04/06-18-\*P/S-BRA
3. CABLE EXIT DESIGNED FOR CORRUGATED TUBE NW 13, 17 AND 19.
4. RoHS COMPLIANT
5. ALL DIMENSIONS ARE FOR REFERENCE USE ONLY.

QUANTITY	AHPDPS-15L017-1805	DESCRIPTION	ITEM
	PART NUMBER		

MATERIALS LIST

<p>UNLESS OTHERWISE SPECIFIED</p> <p>1) All dimensions are in metric(mm).</p> <p>2) Tolerances are as follows:</p> <p>1 PL DEC ±0.50    Fractions ±1/64</p> <p>2 PL DEC ±0.15    Angles ±1°</p> <p>3 PL DEC ±0.08</p> <p>3) Note reference = </p>		<p>SIGNATURES    DATE</p> <p>DRAWN: MILO.DONG    08-MAR-22</p> <p>CHECKED: SULLENZHANG    09-MAR-22</p> <p>ENGINEER:</p> <p>APPROVAL: TOMMY.XIE    10-MAR-22</p> <p>CUSTOMER:</p>		<p><b>Amphenol</b></p> <p>Sine Systems - www.amphenol-sine.com 44724 Morley Drive Clinton Township, MI 48036</p>	
<p>MATERIAL SPECIFICATIONS:</p> <p>WEIGHT: 22.3g</p>		<p>THIS DRAWING IS SUPPLIED FOR INFORMATION ONLY. DESIGN FEATURES, SPECIFICATIONS AND PERFORMANCE DATA SHOWN HEREON ARE THE PROPERTY OF THE AMPHENOL CORPORATION. NO RIGHTS OF REPRODUCTION ARE IMPLIED. ALL DIMENSIONS ARE SUBJECT TO NORMAL MANUFACTURING VARIATIONS.</p>			
<p>PROCESS SPECIFICATIONS:</p> <p>NEXT ASSY:</p>		<p>SIZE <b>A</b></p> <p>TYPE <b>C-</b></p> <p>SCALE: NONE</p>	<p>DWG NO: <b>AHPDPS-15L017-1805</b></p>	<p>REVISION <b>A1</b></p>	<p>BACK SHELL, COVER, 90 ANGLE AHPD SERIES, SIZE 18, BRA</p>