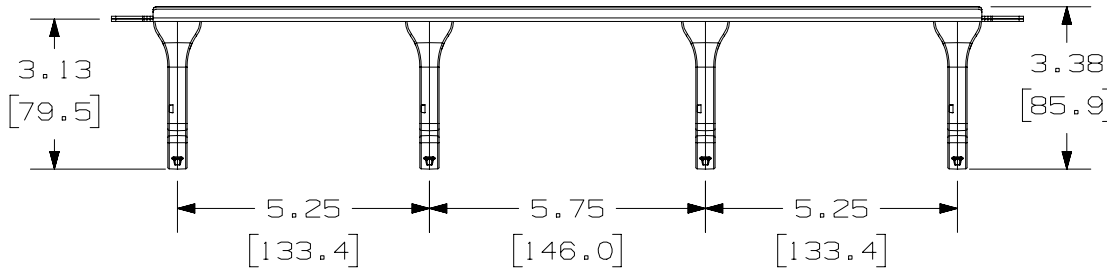


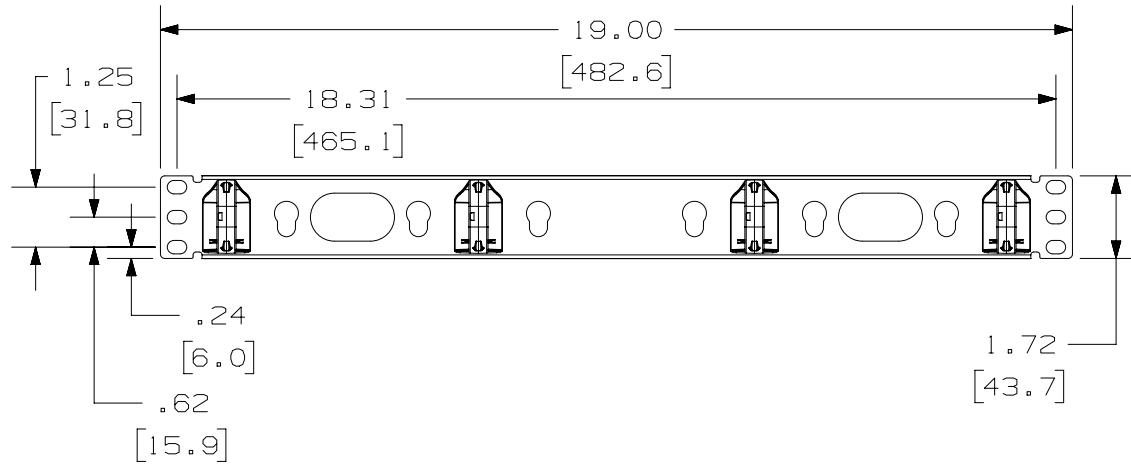
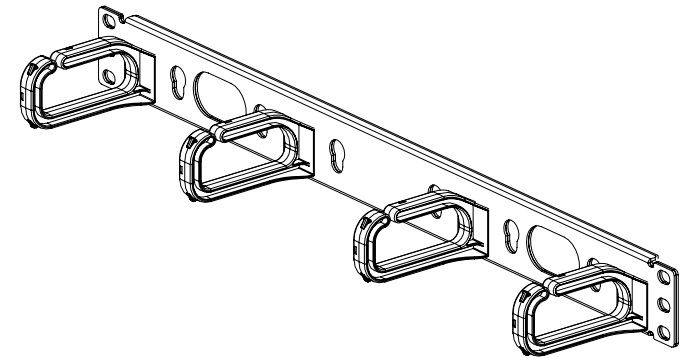
THIS COPY IS PROVIDED ON A RESTRICTED BASIS AND IS NOT TO BE USED IN ANY WAY DETRIMENTAL TO THE INTERESTS OF PANDUIT CORP.

| PANDUIT P/N | WEIGHT |
|-------------|-------------------------------------|
| CMPHF1 | .65 LB/EACH PC (293.4 g/EACH PC) |



NOTES:

- SEE CATALOG FOR COMPLETE LIST OF PARTS APPLICABLE FOR USE WITH THIS PART.
- DIMENSIONS IN PARENTHESES ARE IN METRIC.
- COMPONENTS:
4- D-RINGS
1- METAL STAMPING
4- 12-24 SCREWS
- FOR OPTIONAL SNAP ON COVER USE PART NUMBER CMPHIC.



| REV | DATE | BY | CHK | APR | DESCRIPTION | ECN |
|-----|---------|-----|------|------|--------------------------------|----------|
| 03A | 3-26-15 | TWV | MACA | KRKE | BOM ADJUSTMENT; REVISED NOTES. | 00671-05 |

| | | | |
|----------------------------------------------------------------------|-----------------|---------------------------------------------------------------|-----------|
| TITLE | | OPEN CABLE MANAGEMENT PANEL HORIZONTAL FRONT ONLY (CMPHF1) | |
| CUSTOMER DRAWING | | | |
| ITEM REVISION NAME | M00671AD/03 | | |
| DATASET FILE NAME | M00671AD_DC/03A | | |
| UNLESS OTHERWISE SPECIFIED, DIMENSIONAL TOLERANCES ARE: IN (mm) | | MATERIAL: STAMPING- BLACK POWDER COATED C.R.S. | |
| | | D-RINGS- BLACK PC | |
| DRAWING NUMBER: | | 00671-05 | |
| DRAWN BY | DATE | CHK | SCALE |
| JS P | 11-1-99 | CEF | NONE |
| SHT 1 OF 1 | | | SIZE A |

D101000DA/15