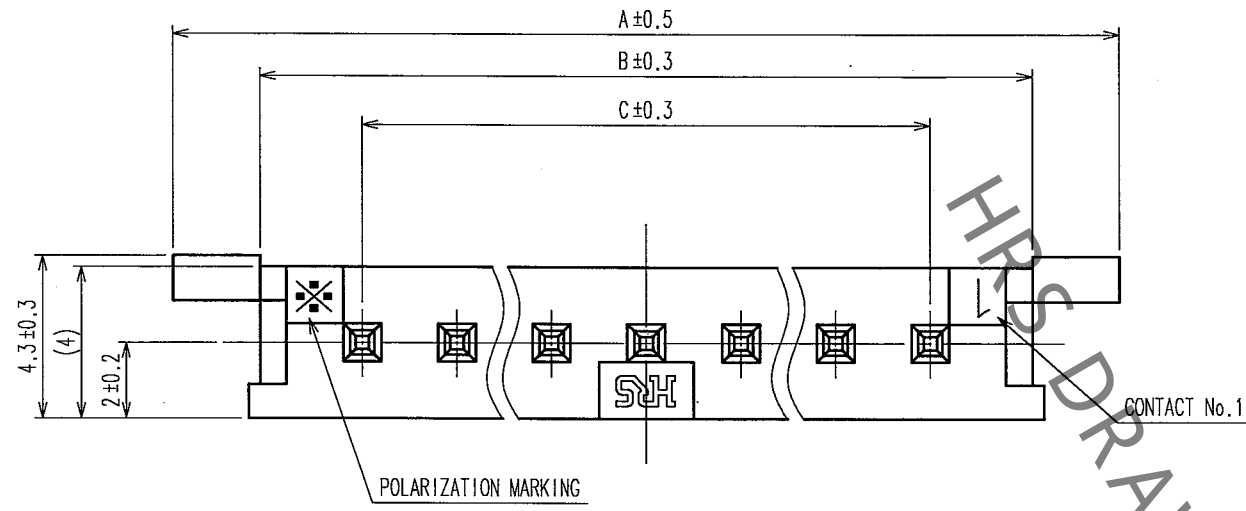
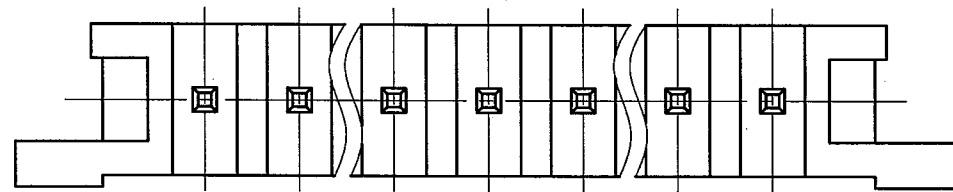
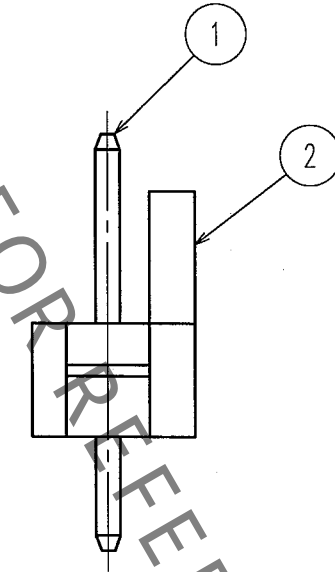
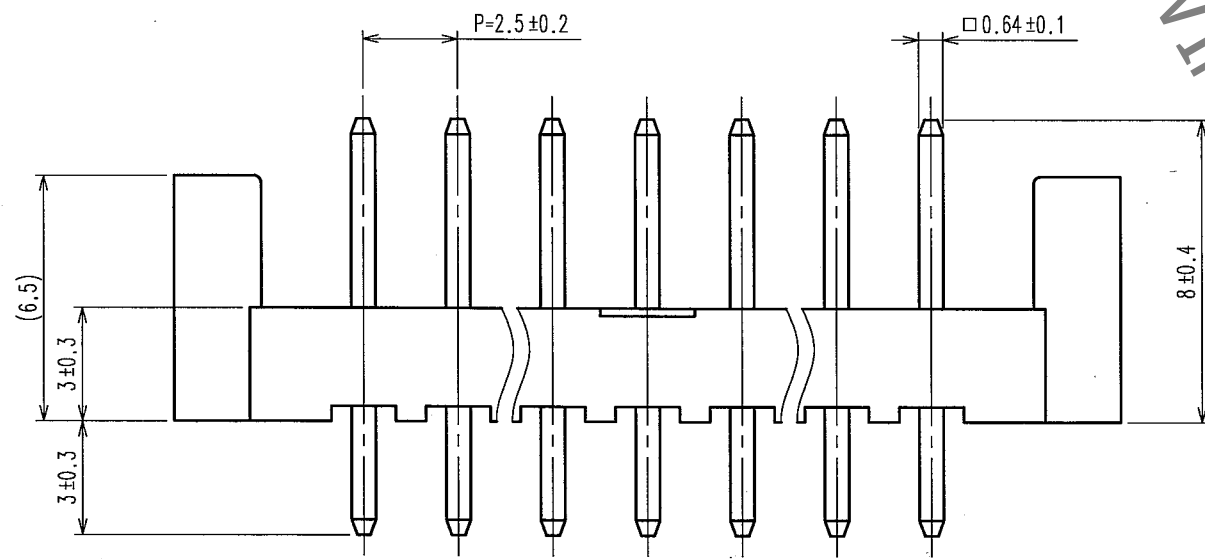


COUNT	DESCRIPTION OF REVISIONS	BY	CHKD	DATE	COUNT	DESCRIPTION OF REVISIONS	BY	CHKD	DATE
△				..	△				..
△				..	△				..
△				..	△				..



CODE No.	NUMBER OF CONTACT	PARTS No.	A	B	C
CL218-0012-4-55	2	HNC2-2.5P- 2DS(55)	12.5	7.8	2.5
CL218-0023-0-55	3	HNC2-2.5P- 3DS(55)	15.0	10.4	5.0
CL218-0040-0-55	4	HNC2-2.5P- 4DS(55)	17.5	12.9	7.5
CL218-0028-4-55	5	HNC2-2.5P- 5DS(55)	20.0	15.4	10.0
CL218-0043-8-55	6	HNC2-2.5P- 6DS(55)	22.5	17.9	12.5
CL218-0031-9-55	7	HNC2-2.5P- 7DS(55)	25.0	20.4	15.0
CL218-0015-2-55	8	HNC2-2.5P- 8DS(55)	27.5	22.8	17.5
CL218-0018-0-55	10	HNC2-2.5P-10DS(55)	32.5	27.8	22.5
CL218-0046-6-55	15	HNC2-2.5P-15DS(55)	45.0	40.4	35.0



1	BRASS	SURFACE:TIN PLATED 1μm min UNDER PLATING:NICKEL PLATED 0.5μm min	2	POLYAMIDE	BLACK , UL94-V2
NO.	MATERIAL	FINISH, REMARKS	NO.	MATERIAL	FINISH, REMARKS
CODE NO. (OLD)		DRAWN	DESIGNED	CHECKED	APPROVED
		F.Matsuki	N. Hirose	H. Imehara	J. Ona
		'05.10.05	'05.10.05	'05.10.05	'05.10.06
DRAWING NO. EDC3-162408-03		PART NO. HNC2-2.5P-*DS(55)			
SCALE 5 : 1		UNITS mm		CODE NO. CL218	
HRS HIROSE ELECTRIC CO., LTD				1/1	

TO