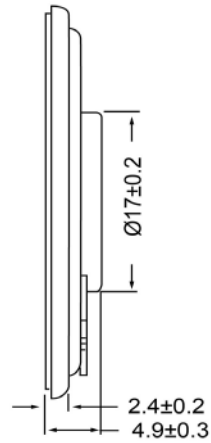
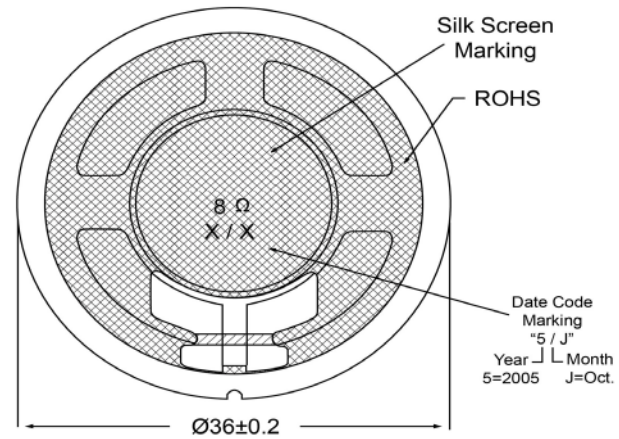


SIDE VIEW



BOTTOM VIEW



Specifications			Notes	Revision History					
Description	Value	Unit		Version	Description		Date	Approved	
Shape	Round		1) All dimensions are in mm unless otherwise noted 2) All parts meet RoHS	1	Released from Engineering		2/5/2014	J.S	
Resonant Frequency	500	(Hz)							
Frequency Range	500 ~ 10,000	(Hz)							
SPL @ 10cm	90	(dBA)							
Impedance	8	(Ohm)							
Cone Material	Mylar								
Nominal Power	0.5	(W)							
Max Power	0.8	(W)							
Mount Type	Flush Mount								
Operating Temperature	- 20 ~ + 55	°C							
Storage Temperature	- 20 ~ + 55	°C							
Weight	8.6	(g)							



Dynamic Speaker

SM360508-1

Additional considerations can be found at www.dbunlimitedco.com/technical-articles.