

DWG. NO.
SD-35573-001

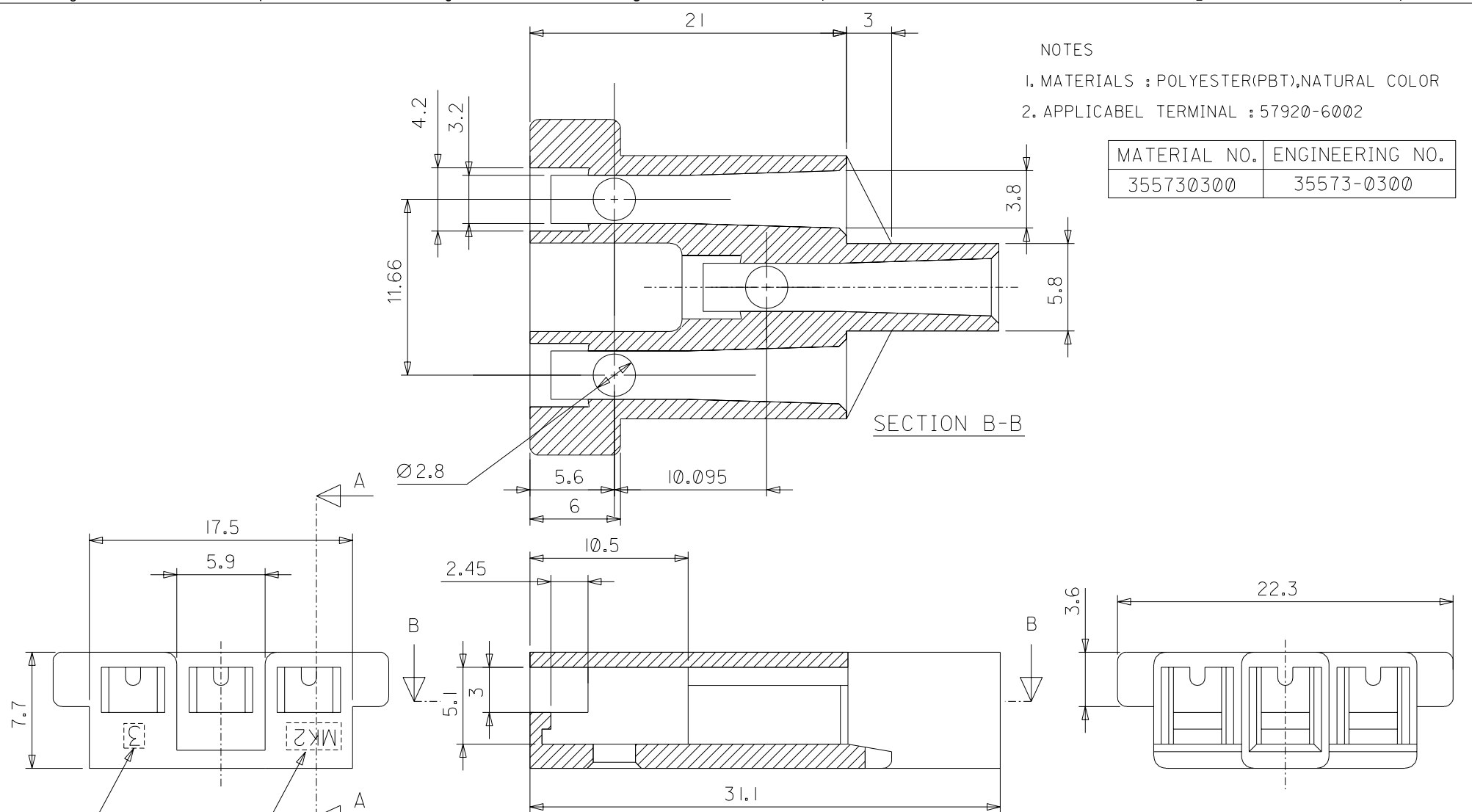
SIMILAR ITEM

PROJECT NO.

C

B

DO NOT SCALE DRAWING
DIMENSION IN METRIC



NOTES

- 1. MATERIALS : POLYESTER(PBT),NATURAL COLOR
- 2. APPLICABEL TERMINAL : 57920-6002

MATERIAL NO.	ENGINEERING NO.
355730300	35573-0300

REVISED EC NO. KOR2002-0093 DRWN: C.B.CHIN 02/03/21 CHK: W.Y.YANG APPR: C.W.LEE	DESCRIPTION	QUALITY SYMBOLS	GENERAL TOLERANCES: (UNLESS SPECIFIED)	SCALE 4:1	DESIGN UNITS <input checked="" type="checkbox"/> mm <input type="checkbox"/> INCH	THIRD ANGLE PROJECTION <input type="checkbox"/> mm INCH <input checked="" type="checkbox"/> mm ONLY	DIMENSIONS: <input type="checkbox"/> mm INCH <input checked="" type="checkbox"/> mm ONLY	SHT	REV						
		MAJOR = 0	CRITICAL = 0	mm	INCH			4 PLACES	$\pm 0.$	$\pm.$	TITLE: CLUSTER BLOCK HOUSIG-3P (2.29 DIA. PIN)	MOLEX INCORPORATED	MATERIAL NO. SEE CHART	DRAWING NO. SD-35573-001	SHEET NO. 1 OF 1
3 PLACES	$\pm 0.$	$\pm.$	2 PLACES	± 0.25	$\pm.$	1 PLACE	± 0.25	$\pm.$							
ANGULAR: \pm °			CAD FILENAME S35573.DGN		DRAWN BY & DATE W.Y.YANG 99/11/13			CHECKED BY & DATE B.K.CHOI 99/11/13							
DRAFT WHERE APPLICABLE MUST REMAIN WITHIN DIMENSIONS			THIS DRAWING CONTAINS INFORMATION THAT IS PROPRIETARY TO MOLEX INCORPORATED AND SHOULD NOT BE USED WITHOUT WRITTEN PERMISSION.		APPROVED BY & DATE C.W.LEE 99/11/13			SIZE B							