

63464-3 ✓ ACTIVE



MAG-MATE

TE Internal #: 63464-3

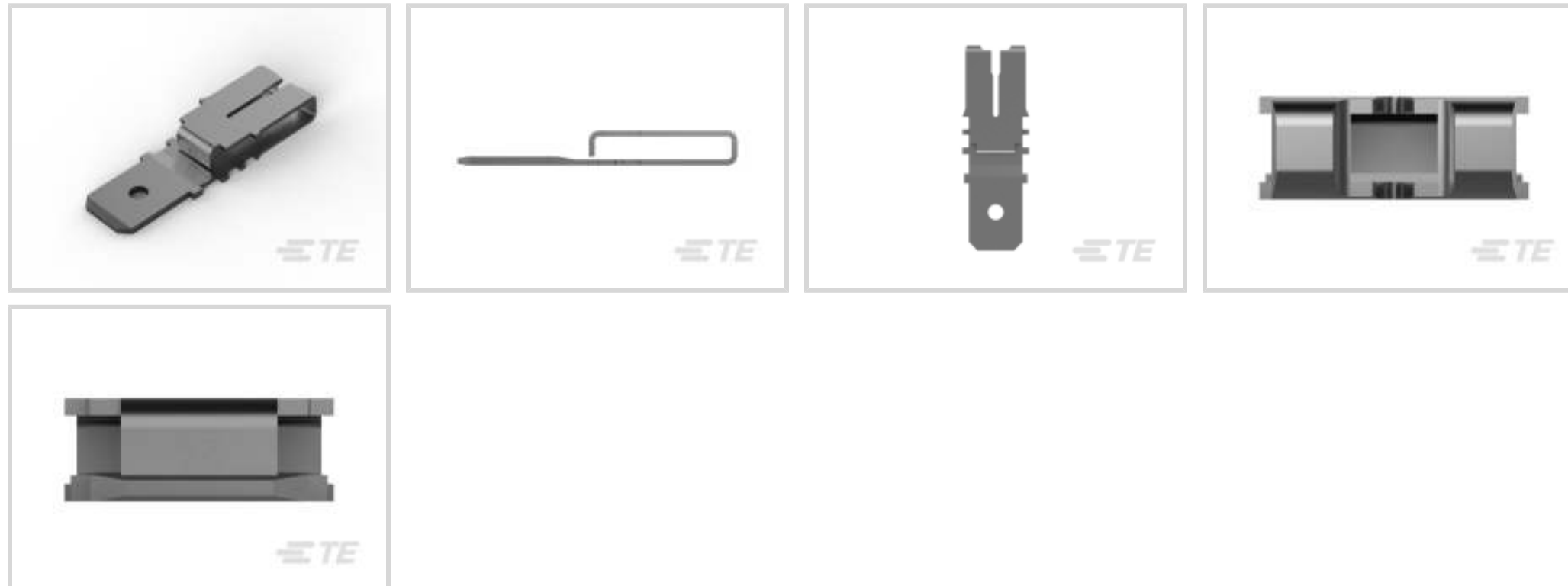
Magnet Wire Terminals, Tab, Mating Tab Width .25 in [6.35 mm],

Size 4, .91 – 1.15 mm Magnet Wire, 19 – 17 AWG Magnet Wire,

MAG-MATE

[View on TE.com >](#)

Terminals & Splices > Magnet Wire Terminals



Magnet Wire Terminal Type: **Tab**

Mating Tab Width: **6.35 mm [.25 in]**

Mating Tab Thickness: **.8 mm [.032 in]**

Compatible With Cavity Size: **Size 4**

Magnet Wire Size: **19 – 17 AWG**

Features

Product Type Features

Compatible With Discrete Wire Type

Magnet Wire, Solid

Body Features

Compatible With Cavity Size

Size 4

Contact Features

Magnet Wire Terminal Type

Tab

Mating Tab Width

6.35 mm [.25 in]

Mating Tab Thickness

.8 mm [.032 in]

Terminal Plating Material

Tin

Terminal Orientation

Straight

Termination Features

Termination Method to Wire & Cable

Insulation Displacement (IDC)

Mechanical Attachment

Mating Retention Type

Hole



Dimensions

Terminal Height	12.83 mm[.505 in]
Magnet Wire Size	.91 – 1.15 mm
Stock Thickness (Magnet Wire Side)	.51 mm[.02 in]
Product Length	24.18 mm[.951 in]

Usage Conditions

Insulation Option	Uninsulated
-------------------	-------------

Operation/Application

Compatible With Wire Base Material	Aluminum, Copper
------------------------------------	------------------

Identification Marking

Identification Number	24
-----------------------	----

Packaging Features

Packaging Quantity	5000
Packaging Method	Reel, Reel/Carton

Other

Terminals & Splices Comment	After insertion into plastic cavity, tab portion can not be bent over. The body is potted in only., Two magnet wires may be terminated in the same terminal slot if diameters are equal., Varnish resist coating.
-----------------------------	---

Product Compliance



[For compliance documentation, visit the product page on TE.com>](#)

EU RoHS Directive 2011/65/EU	Compliant
EU ELV Directive 2000/53/EC	Compliant
China RoHS 2 Directive MIIT Order No 32, 2016	No Restricted Materials Above Threshold
EU REACH Regulation (EC) No. 1907/2006	Current ECHA Candidate List: JUNE 2023 (235) Candidate List Declared Against: JAN 2023 (233) Does not contain REACH SVHC
Halogen Content	Low Halogen - Br, Cl, F, I < 900 ppm per homogenous material. Also BFR/CFR/PVC Free
Solder Process Capability	Not applicable for solder process capability

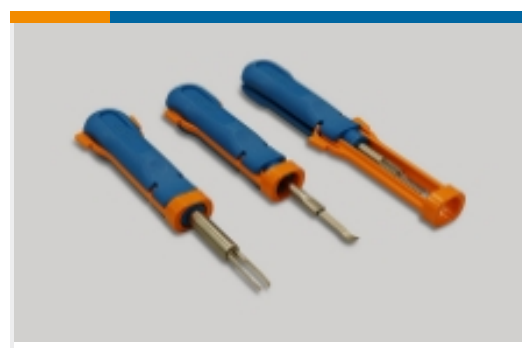
Product Compliance Disclaimer

This information is provided based on reasonable inquiry of our suppliers and represents our current actual knowledge based on the information they provided. This information is subject to change. The part numbers that TE has identified as EU RoHS compliant have a maximum concentration of 0.1% by weight in homogenous materials for lead, hexavalent chromium, mercury, PBB, PBDE, DBP, BBP, DEHP, DIBP, and 0.01% for cadmium, or qualify for an exemption to these limits as defined in the Annexes of Directive 2011/65/EU (RoHS2). Finished electrical and electronic equipment products will be CE marked as required by Directive 2011/65/EU. Components may not be CE marked. Additionally, the part numbers that TE has identified as EU ELV compliant have a maximum concentration of 0.1% by weight in homogenous materials for lead, hexavalent chromium, and mercury, and 0.01% for cadmium, or qualify for an exemption to these limits as defined in the Annexes of Directive 2000/53/EC (ELV). Regarding the REACH Regulation, the information TE provides on SVHC in articles for this part number is based on the latest European Chemicals Agency (ECHA) 'Guidance on requirements for substances in articles' posted at this URL: <https://echa.europa.eu/guidance-documents/guidance-on-reach>

Compatible Parts

 <p>TE Part # 63598-1 MAG-MATE 250 F-TAB TPBR</p>	 <p>TE Part # 63881-1 MAG-MATE 250 F. TAB TPBR</p>	 <p>TE Part # 63816-1 TAB, MAG-MATE 250F TPBR</p>	 <p>TE Part # 63882-1 MAG-MATE 250 F-TAB TPBR</p>
 <p>TE Part # 63495-1 MAG-MATE 250 F-TAB TPBR</p>	 <p>TE Part # 62923-2 MAG-MATE 250FTAB 19-17 032TPBR</p>	 <p>TE Part # 62923-3 MAG-MATE 250FTAB 19-17 032TPBR</p>	 <p>TE Part # 3-1579018-3 INSERTION TOOL</p>
 <p>TE Part # 62923-1 MAG-MATE 250 F TAB 032 TPBR</p>	 <p>TE Part # 63155-1 MAG-MATE 250 F TAB 032 TPBR</p>	 <p>TE Part # 63371-1 MAG-MATE 250 F TAB TPBR</p>	 <p>TE Part # 63425-1 MAG MATE 250F TAB #12 TPBR.</p>

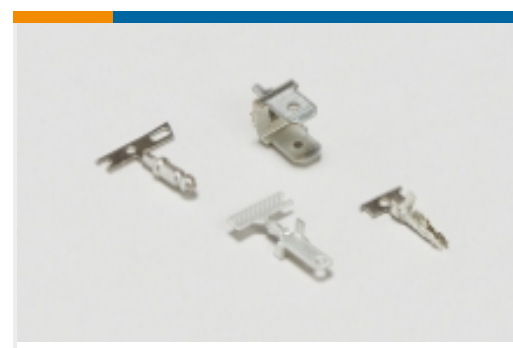
Also in the Series | **MAG-MATE**



Insertion & Extraction Tools(7)

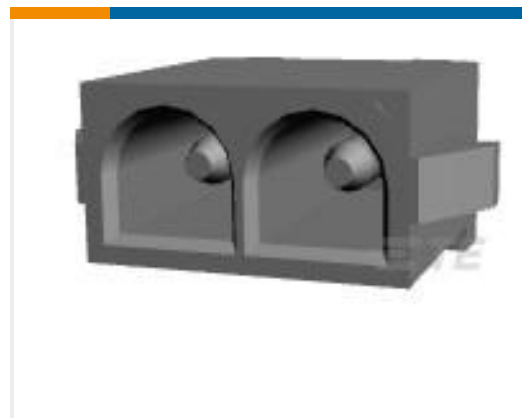
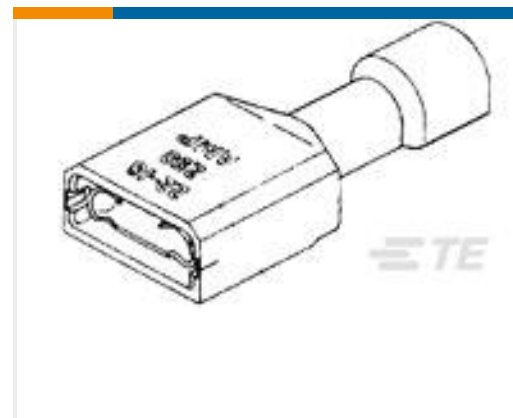
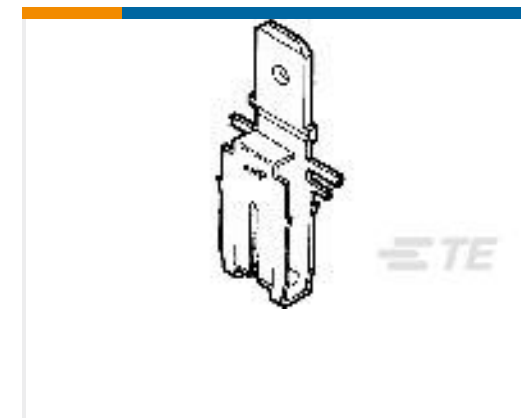
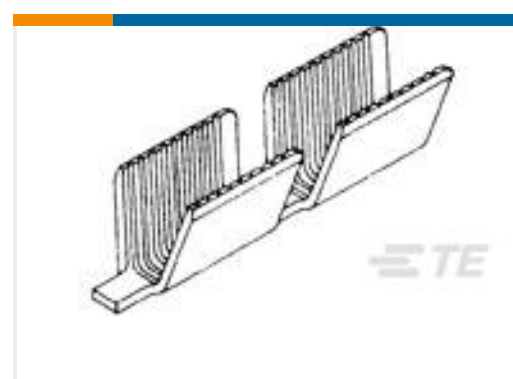
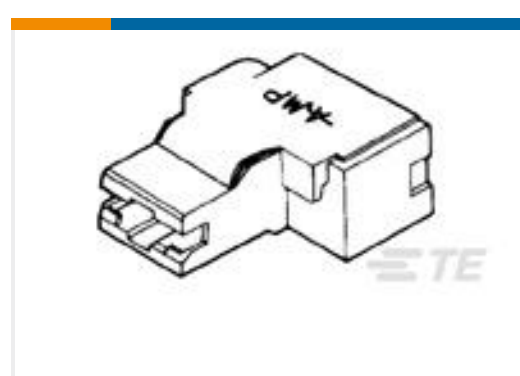


Magnet Wire Terminals(435)



PCB Terminals(1)

Customers Also Bought

TE Part #350428-1
02P UMNL PIN HDR ASSY NATLTE Part #2-520403-2
ULTRA-FAST 187 ASY REC 22-18 TPBRTE Part #2-520405-2
ULTRA-FAST 250 ASY REC 22-18 TPBRTE Part #63459-3
MAG-MATE 250 F-TAB 15-16 TPBRTE Part #350536-1
UMNL SOK 20-14 .0126 PTPBRTE Part #63667-1
MAG-MATE 187 FAST TAB 020TPBRTE Part #62306-2
AMVAR SPLC 1500-5000 020TPBRTE Part #2232901-1
AMP POWER DBL LOCK REC (L)TE Part #1-2303064-2
12POS, STAMPED 20, PIN HSG ASSY,
SLD, COD 2TE Part #1-172469-1
PL 250 HOUSING NATURAL 6/6
NYLON

Documents

Product Drawings

[MAG-MATE 250 F-TAB TPBR](#)

English

CAD Files

[3D PDF](#)

[3D](#)

[Customer View Model](#)

[ENG_CVM_CVM_63464-3_Z.2d_dxf.zip](#)



English

Customer View Model

[ENG_CVM_CVM_63464-3_Z.3d_igs.zip](#)

English

Customer View Model

[ENG_CVM_CVM_63464-3_Z.3d_stp.zip](#)

English

By downloading the CAD file I accept and agree to the [Terms and Conditions](#) of use.

Datasheets & Catalog Pages

[Magnet Wire Terminals & Splices](#)

English

Product Specifications

[Application Specification](#)

English

Product Environmental Compliance

[MD_63464-3_10212015123_dmtec](#)

English

[MD_63464-3_10212015123_dmtec](#)

English