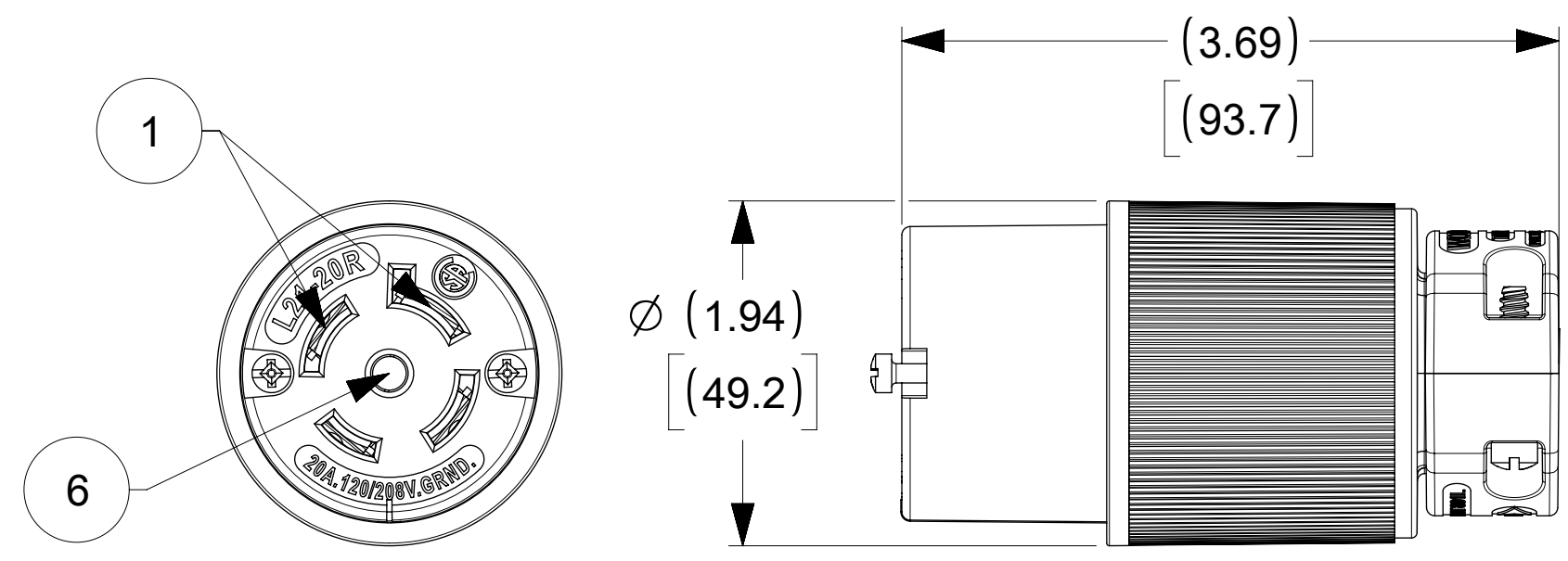
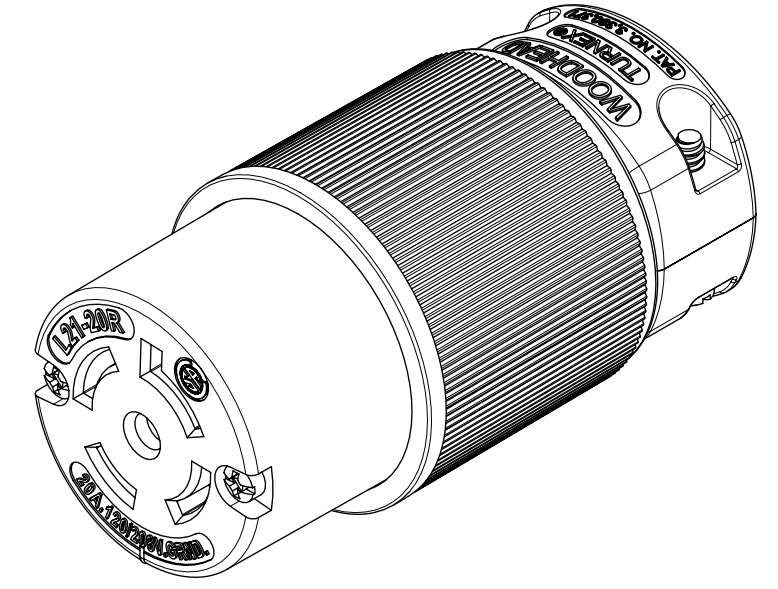
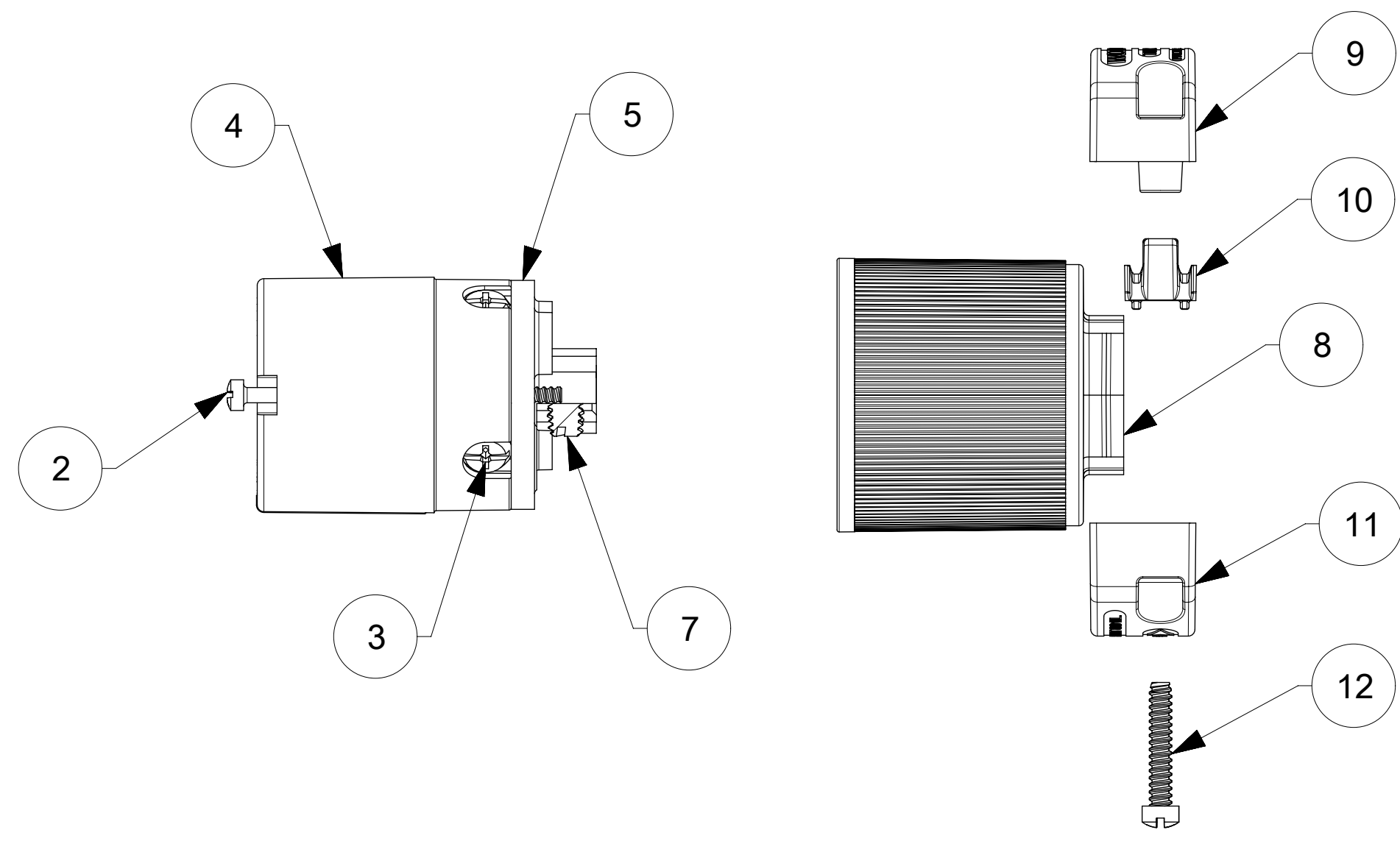
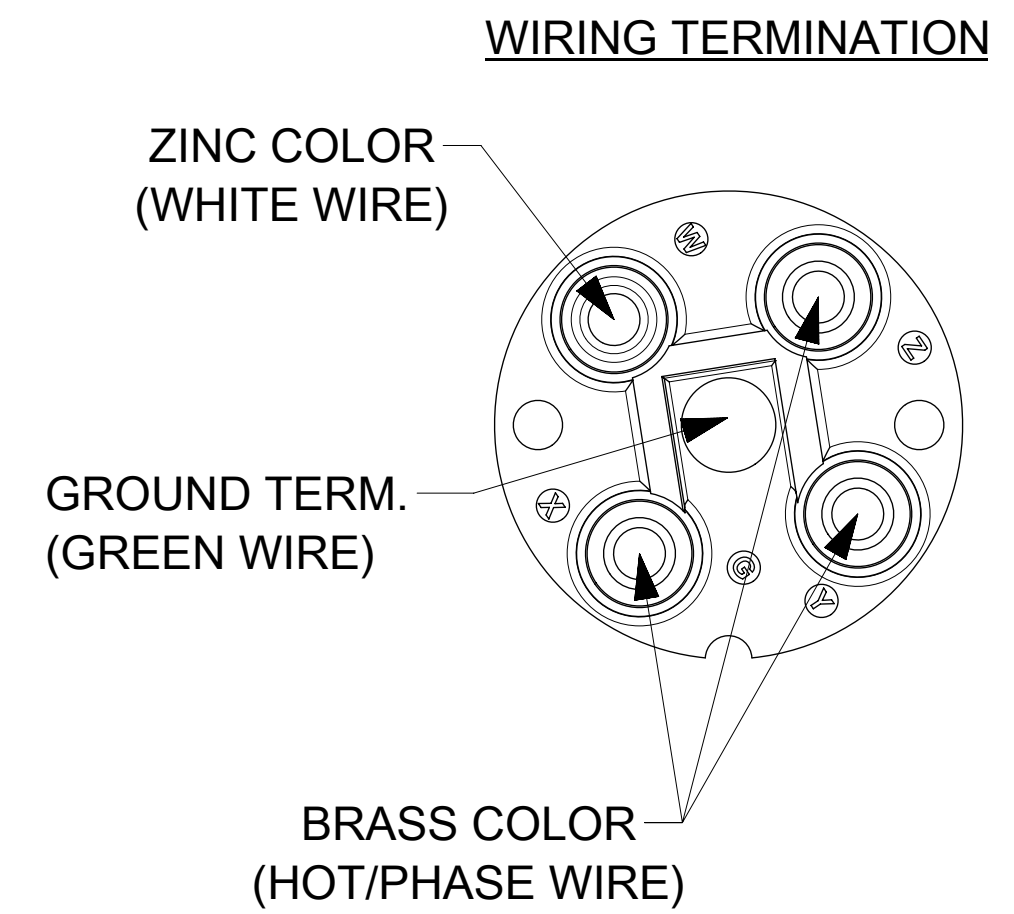


ORDER NO.	WOODHEAD NO.	COLOR
130145-0041	27T81	BLACK
130145-0042	27T81YL	YELLOW



**FACE VIEW**



ITEM NO.	DESCRIPTIONS	MATERIAL	QTY.
1	BLADES	BRASS, NICKEL PLATED	4
2	RETAINING SCREWS	STAINLESS STEEL	2
3	TERMINAL SCREWS/CLAMP ASSEMBLY	BRASS, ZINC PLATED	4
4	INSERT	NYLON	1
5	TERMINAL COVER	POLYCARBONATE	1
6	GROUND PIN	BRASS, NICKEL PLATED	1
7	SET SCREW	STAINLESS STEEL	1
8	HOUSING	NYLON	1
9	CLAMP CORD MALE	NYLON	1
10	CLAMP CORD INSERT	NYLON	1
11	CLAMP CORD FEMALE	NYLON	1
12	RETAINING SCREWS	STAINLESS STEEL	2

<b>SYMBOLS</b> DIMENSION UNITS: INCH[MM] SCALE: NTS GENERAL TOLERANCES (UNLESS SPECIFIED): 4 PLACES: ± 0.005 [0.127] 3 PLACES: ± 0.002 [0.051] 2 PLACES: ± 0.001 [0.025] 1 PLACE: ± 0.0005 [0.013] 0 PLACES: ± 0.0002 [0.005] ANGULAR TOL: ± 0.001 [0.025] DRAFT WHERE APPLICABLE MUST REMAIN WITHIN DIMENSIONS THIRD ANGLE PROJECTION DRAWING SERIES: C-SIZE 130145	THIS DRAWING CONTAINS INFORMATION THAT IS PROPRIETARY TO MOLEX ELECTRONIC TECHNOLOGIES, LLC AND SHOULD NOT BE USED WITHOUT WRITTEN PERMISSION CURRENT REV/DESC: MIGRATION TO ECTR/NX EC NO: 621329 DRWN: VBASUTHKARP 2019/02/20 CHK'D: VBASUTHKARP 2020/01/17 APPR: HKNEELAND 2020/08/27 INITIAL REVISION: DRWN: VBASUTHKARP 2019/02/20 APPR: HKNEELAND 2020/08/27	
	SAFEWAY CONNECTOR TURNEX 4P5W L21-20	
	PRODUCT CUSTOMER DRAWING	
	DOCUMENT NUMBER: 1301450041 DOC TYPE: PSD DOC PART: 000 REVISION: A	MATERIAL NUMBER: SEE TABLE CUSTOMER: GENERAL MARKET SHEET NUMBER: 1 OF 1