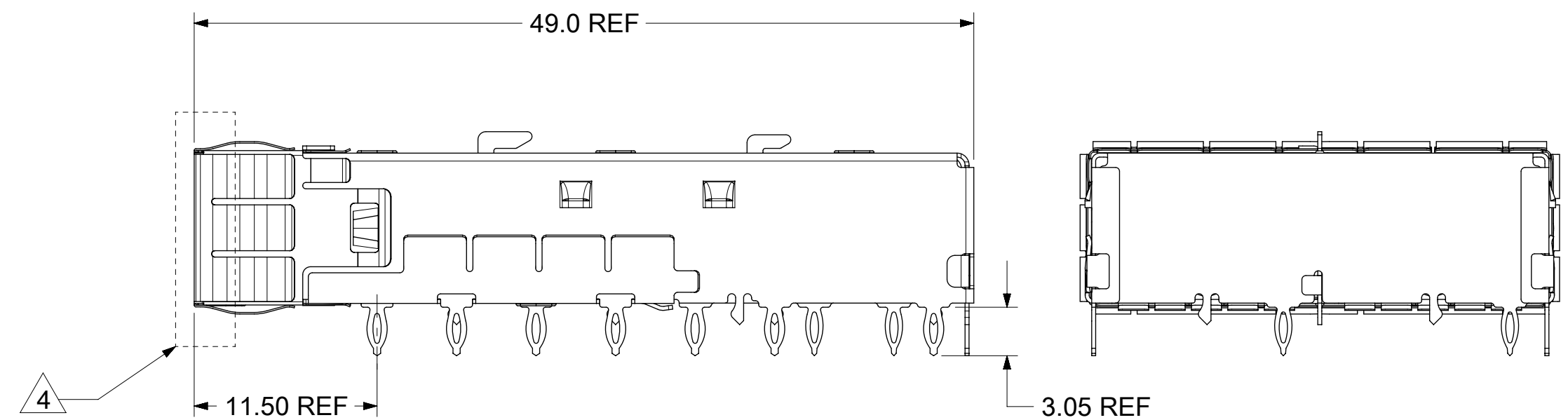
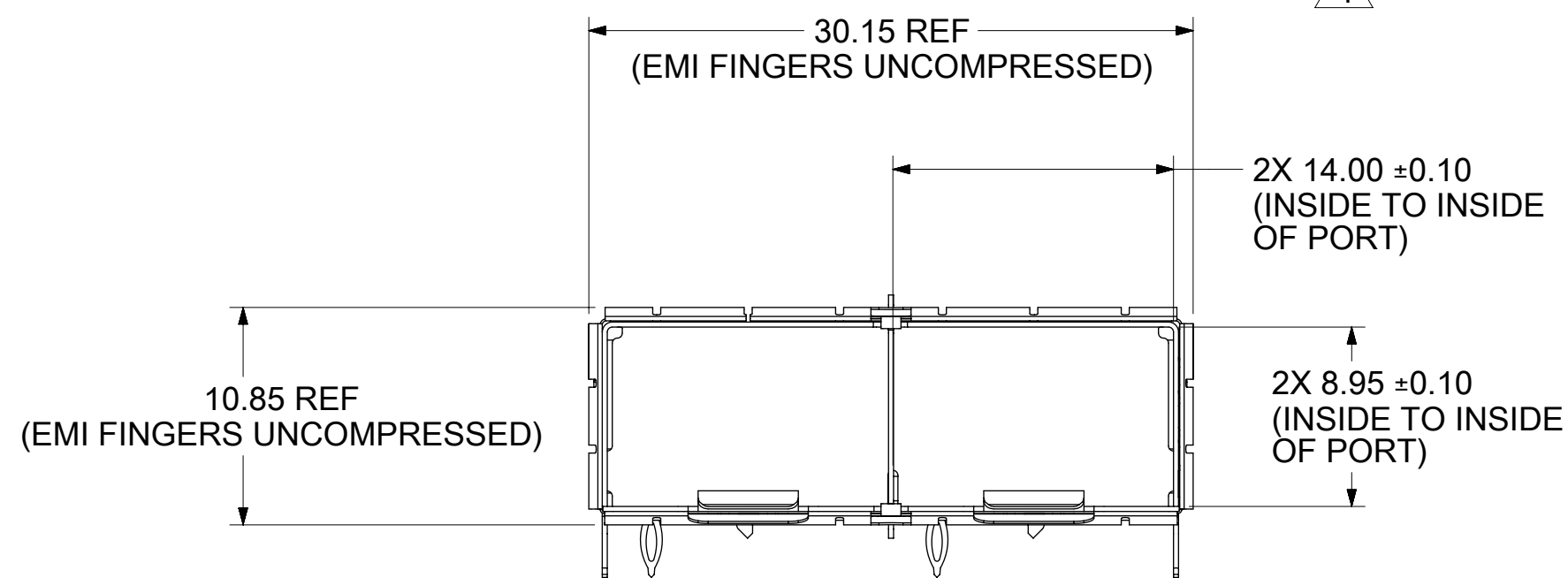
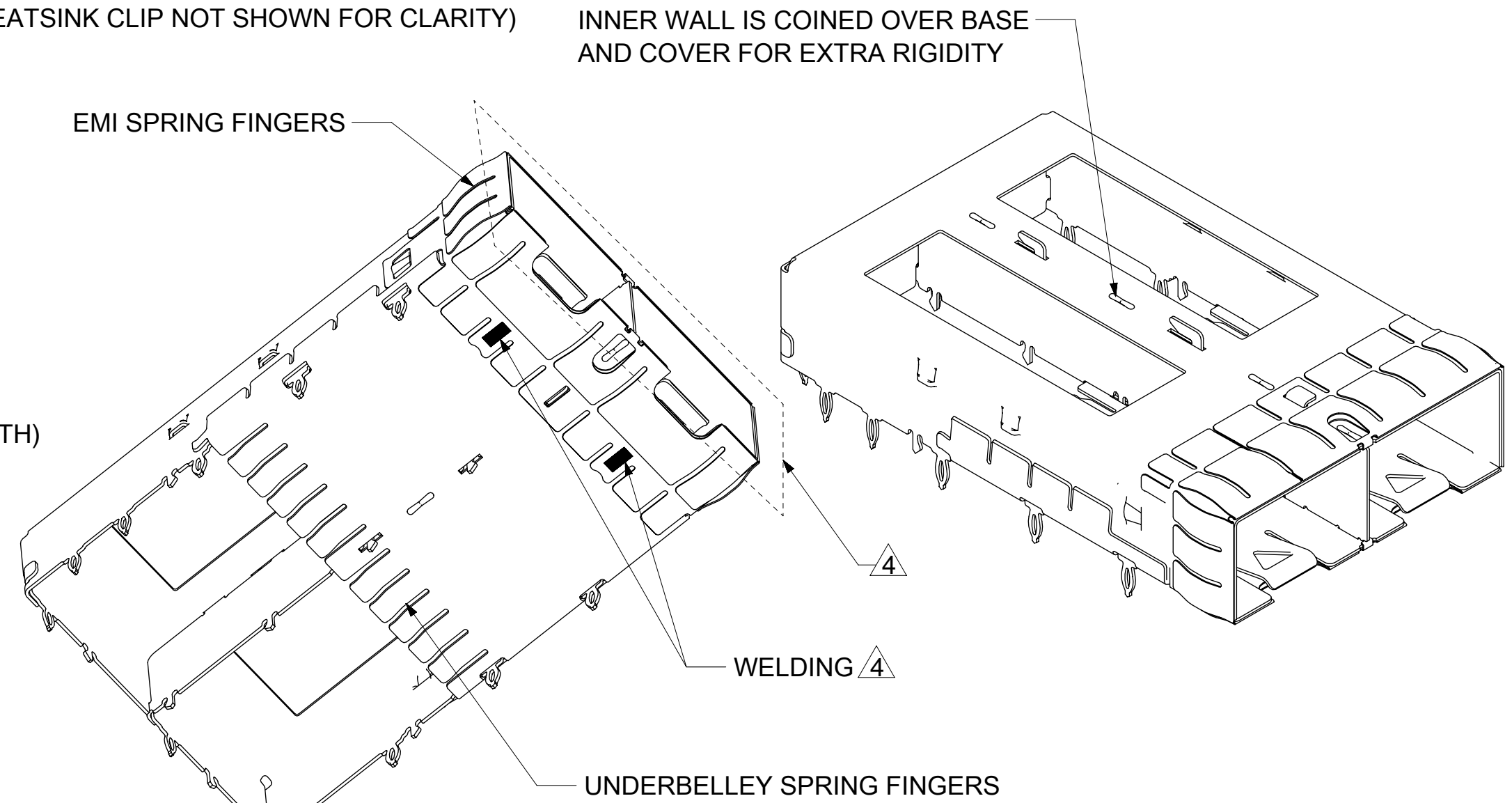
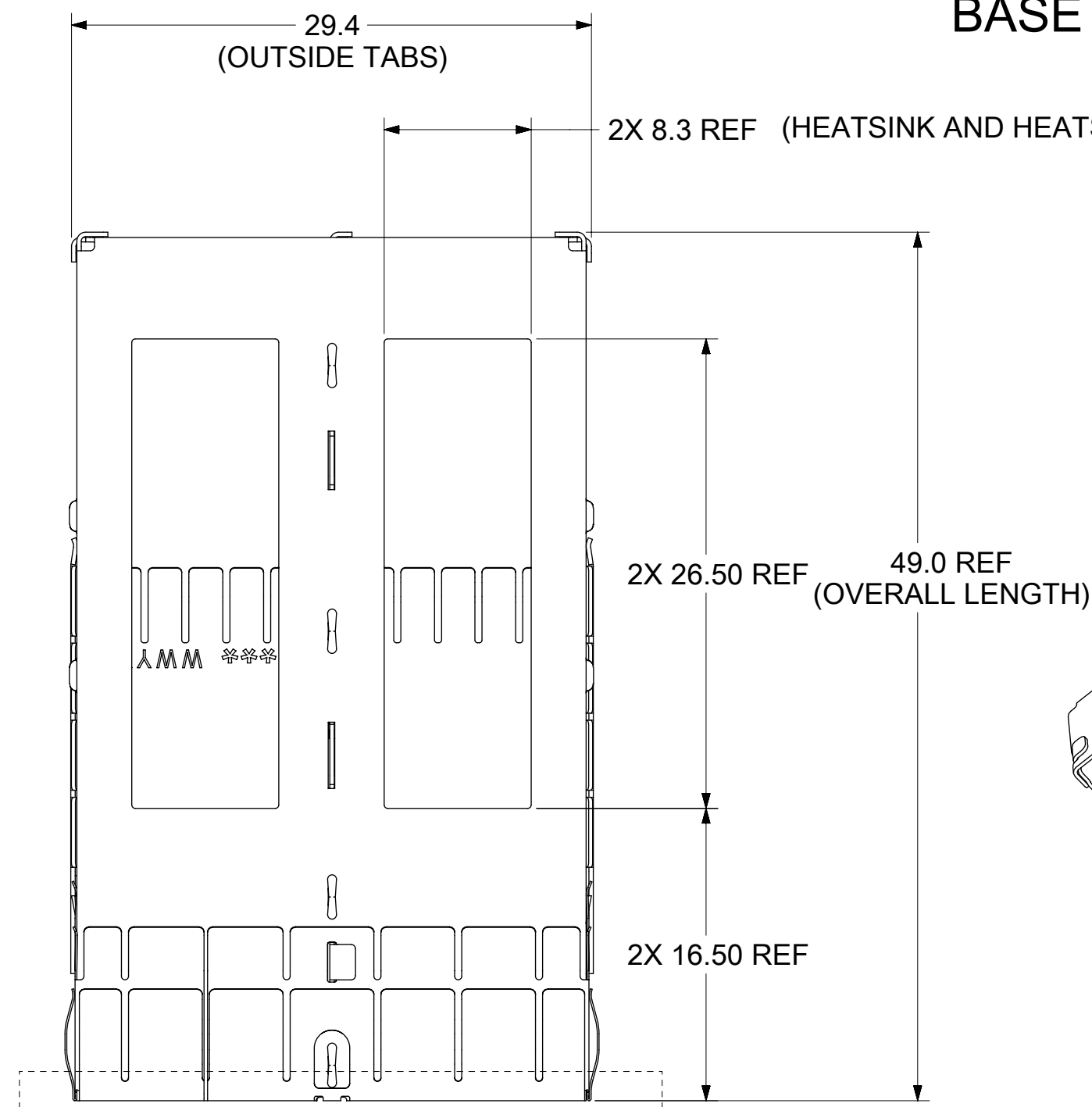


# BASE CAGE DETAILS

1111128270



## NOTES:

- MATERIAL:  
CAGE: 0.25mm THICK COPPER ALLOY, NICKEL PLATED.  
SPRING FINGERS: STAINLESS STEEL.  
HEATSINK: ALUMINUM  
HEATSINK SPRING CLIP: STAINLESS STEEL.
- PRESS FIT LEGS: 3.05mm LONG
- PORTS ARE DESIGNED FOR SFP+ TRANSCEIVERS AND ARE COMPATIBLE WITH SFP TRANSCEIVERS. THE TOP SURFACE OF THE MODULE MUST BE FLAT (NO PRODUCT LABEL RECESS) AND THERMALLY CONDUCTIVE TO FUNCTION OPTIMALLY.
- WELD SPOT MAY SHOW SLIGHT MATERIAL DISCOLORATION.
- NO RoHS EXEMPTIONS.

P/N	HEATSINK FINISH	SHEET NO.	INSULATING TAPE
1111128270	NICKEL PLATED	2	NO
1111128272	BLACK ANODIZED	3	YES

<b>FUNCTIONAL SYMBOLS</b> $\nabla_A = 0$ $\nabla_E = 0$ $\nabla_P = 0$	THIS DRAWING CONTAINS INFORMATION THAT IS PROPRIETARY TO MOLEX ELECTRONIC TECHNOLOGIES, LLC AND SHOULD NOT BE USED WITHOUT WRITTEN PERMISSION		CURRENT REV DESC: SEE REVISION TABLE				
	DIMENSION UNITS	SCALE					
	mm	3:1					
	GENERAL TOLERANCES (UNLESS SPECIFIED)						
<b>DIVISIONAL SYMBOLS</b> 4 PLACES ± 3 PLACES ± 2 PLACES ± 0.15 1 PLACE ± 0.25 0 PLACES ±	ANGULAR TOL	± 1.0°					
	EC NO: 707270						
	DRWN: ABHILT2		2022/04/12				
	CHK'D: TKUMARKC		2022/05/25				
	APPR: SCHIEN		2022/06/01				
INITIAL REVISION:							
DRWN: ABHILT2		2022/04/12					
APPR: SCHIEN		2022/06/01					
DRAFT WHERE APPLICABLE MUST REMAIN WITHIN DIMENSIONS		THIRD ANGLE PROJECTION	DRAWING	SERIES	MATERIAL NUMBER	CUSTOMER	SHEET NUMBER
			C-SIZE	111112	SEE P/N TABLE		1 OF 6

**molex**

SFP+ 1X2 CAGE ASSY PRESS FIT TYPE, W/ SUS EMI SPRING FINGER & HEAT SINK

PRODUCT CUSTOMER DRAWING

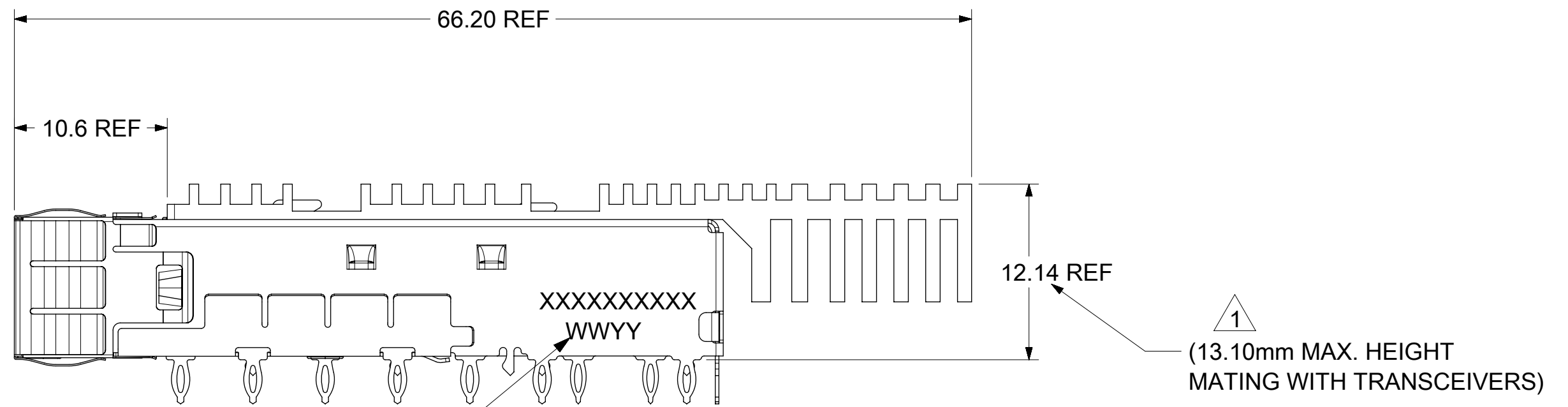
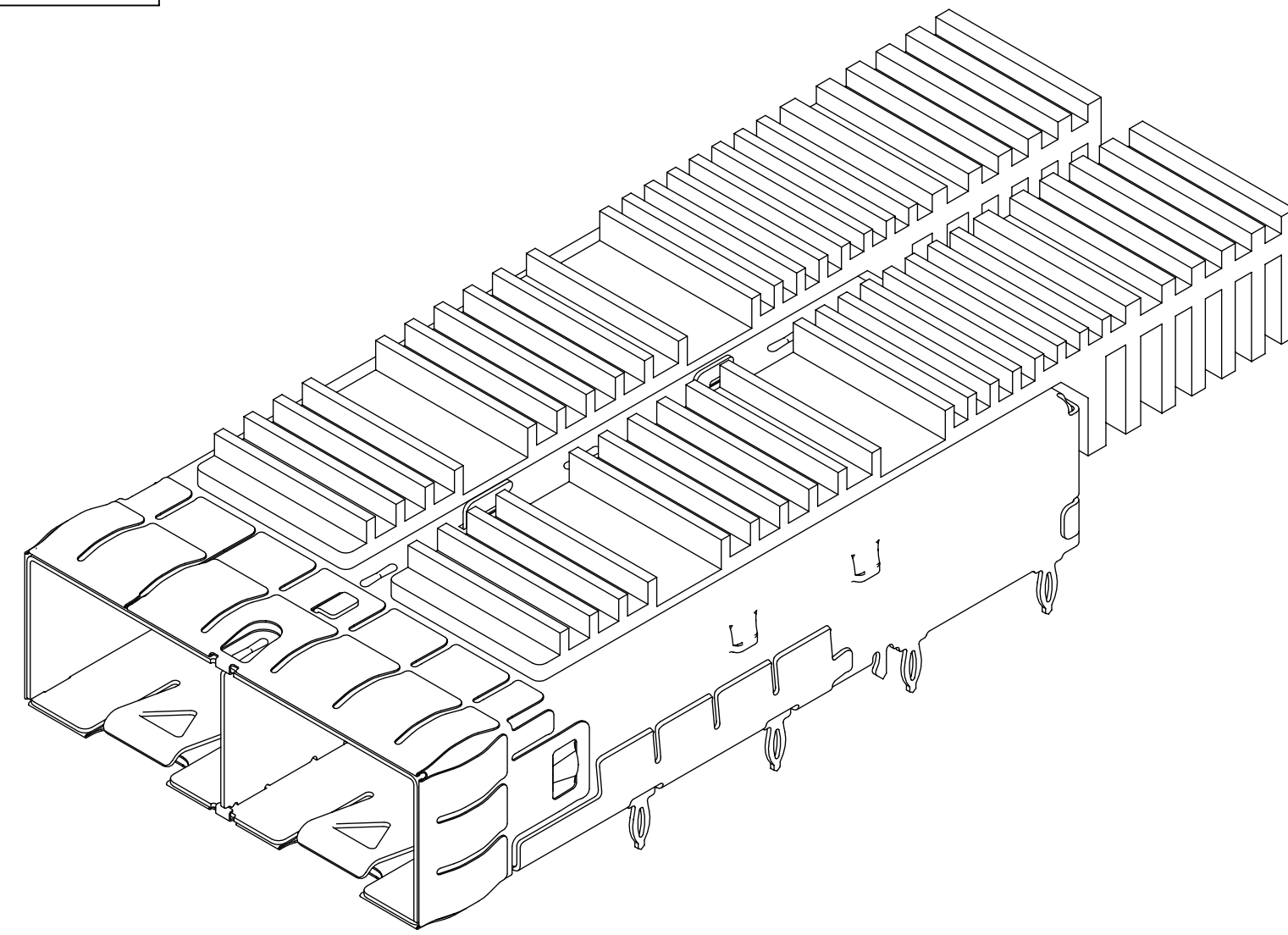
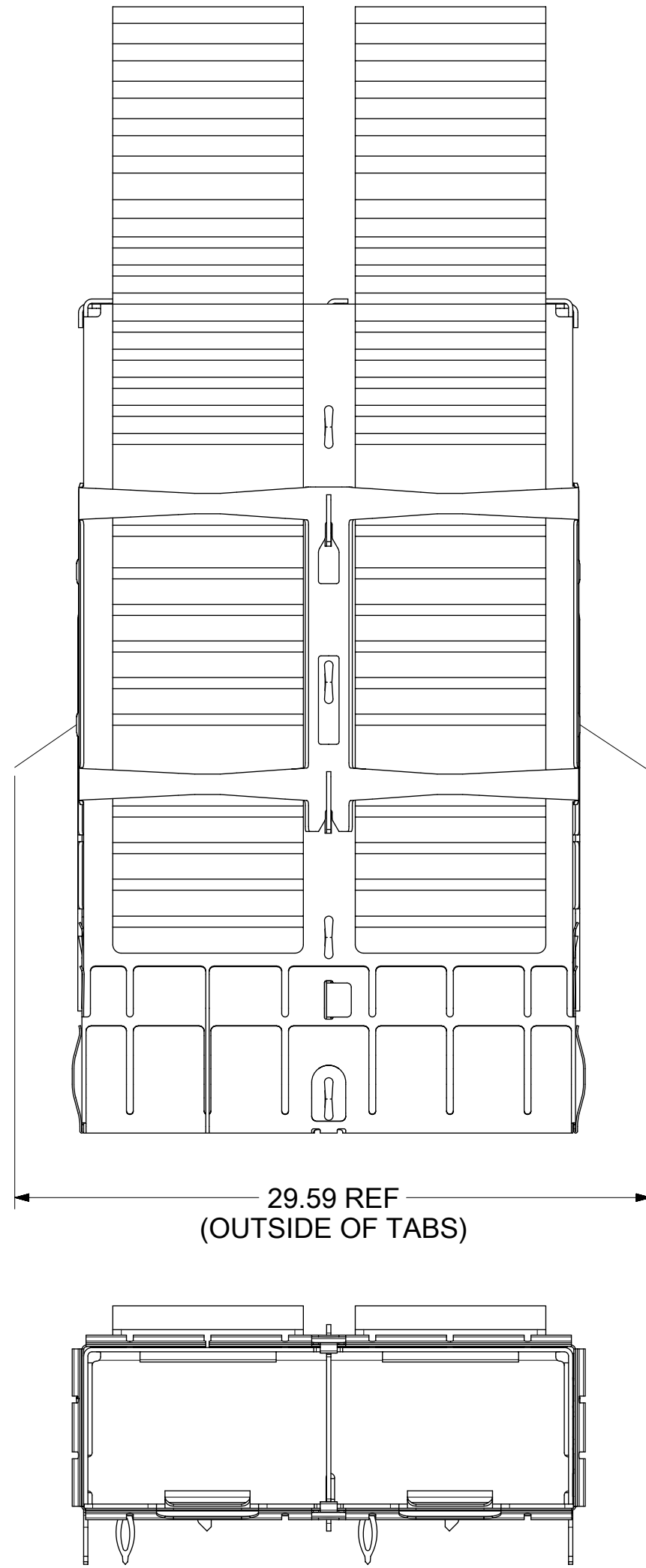
DOCUMENT NUMBER DOC TYPE DOC PART REVISION

1111128270 PSD ASY A

SEE P/N TABLE

# CAGE ASSEMBLY W/ HEAT SINK

1111128270



PN/DATE CODE TO BE PRINTED ON THE SIDE OF COMPLETED CAGE ASSEMBLY APPROXIMATELY AS SHOWN. FOR 11112 SERIES CAGES

WEEK/YEAR DATE CODE TABLE

WW	01 THRU 52 OR 53	EXAMPLE: 01 = FIRST WEEK OF YEAR 52 = LAST WEEK OF YEAR
YY	22, 23, 24 ETC.	EXAMPLE: YEAR 2022 = 22

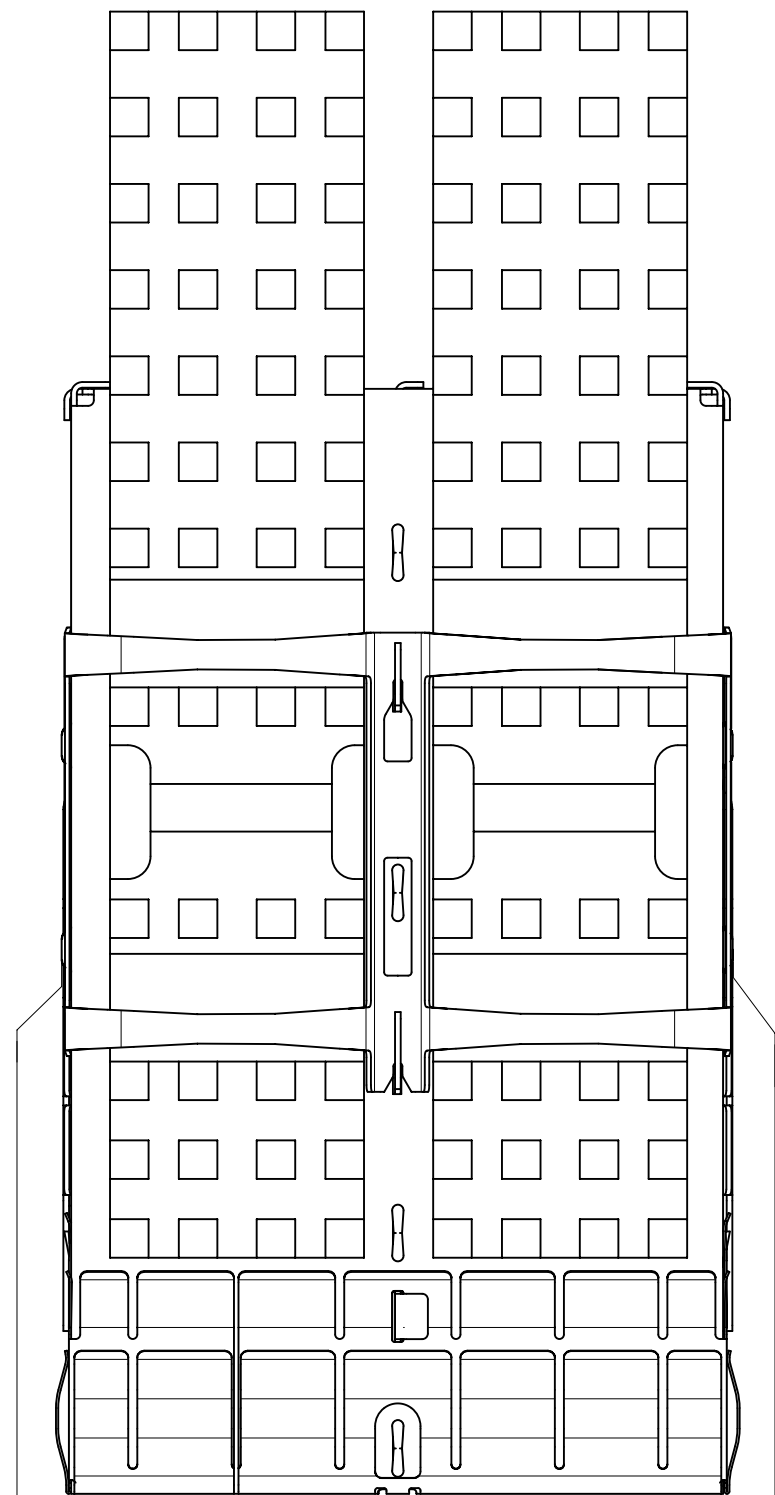
NOTE:  
 1. HEIGHT OF HEATSINK WITH MODULE INSERTED DIMENSION MAY BE LESS DUE TO MODULE AND HEATSINK VARIATIONS

FUNCTIONAL SYMBOLS $\nabla A = 0$ $\nabla E = 0$ $\nabla P = 0$ DIVISIONAL SYMBOLS 4 PLACES ± 3 PLACES ± 2 PLACES ± 0.15 1 PLACE ± 0.25 0 PLACES ±	THIS DRAWING CONTAINS INFORMATION THAT IS PROPRIETARY TO MOLEX ELECTRONIC TECHNOLOGIES, LLC AND SHOULD NOT BE USED WITHOUT WRITTEN PERMISSION		CURRENT REV DESC: SEE REVISION TABLE				
	mm	3:1	EC NO: 707270				
	GENERAL TOLERANCES (UNLESS SPECIFIED)		DRWN: ABHILT2 2022/04/12				
	ANGULAR TOL ± 1.0°		CHK'D: TKUMARKC 2022/05/25				
DRAFT WHERE APPLICABLE MUST REMAIN WITHIN DIMENSIONS		APPR: SCHIEN 2022/06/01		<b>molex</b>  SFP+ 1X2 CAGE ASSY PRESS FIT TYPE, W/ SUS EMI SPRING FINGER & HEAT SINK  PRODUCT CUSTOMER DRAWING			
THIRD ANGLE PROJECTION		INITIAL REVISION: DRWN: ABHILT2 2022/04/12 APPR: SCHIEN 2022/06/01					
DOCUMENT STATUS	P1	RELEASE DATE	2022/06/01 06:40:57	DOCUMENT NUMBER	DOC TYPE	DOC PART	REVISION
				1111128270	PSD	ASY	A
				MATERIAL NUMBER	CUSTOMER	SHEET NUMBER	
				SEE P/N TABLE		2 OF 6	

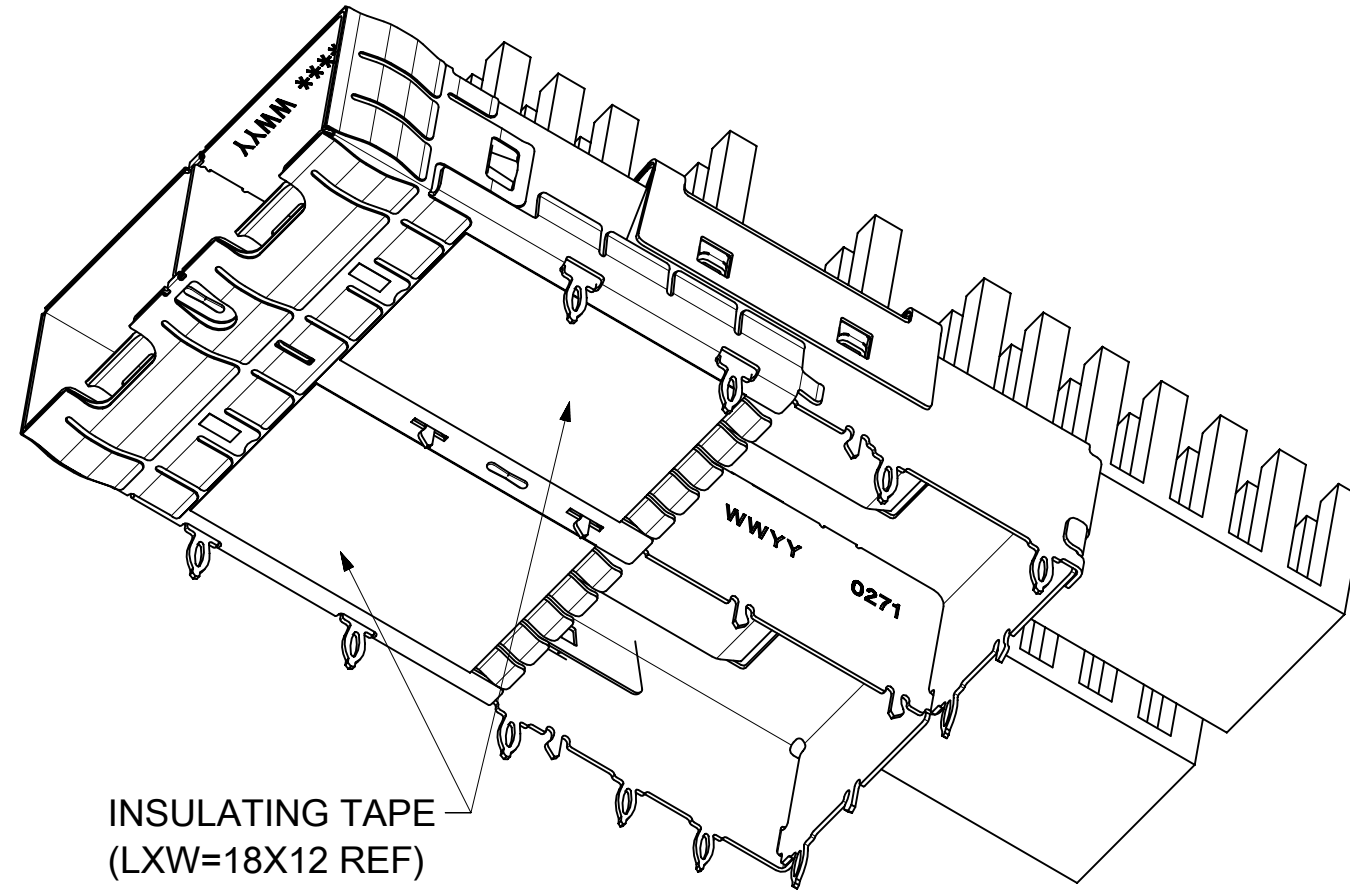
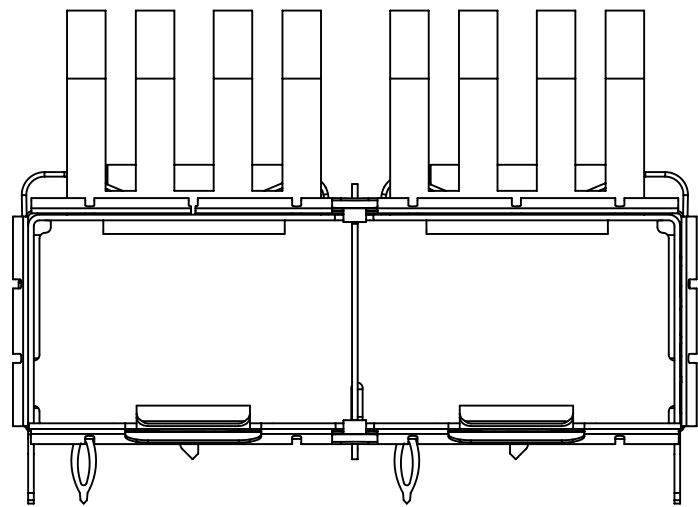
# CAGE ASSEMBLY W/ HEAT SINK

111128272

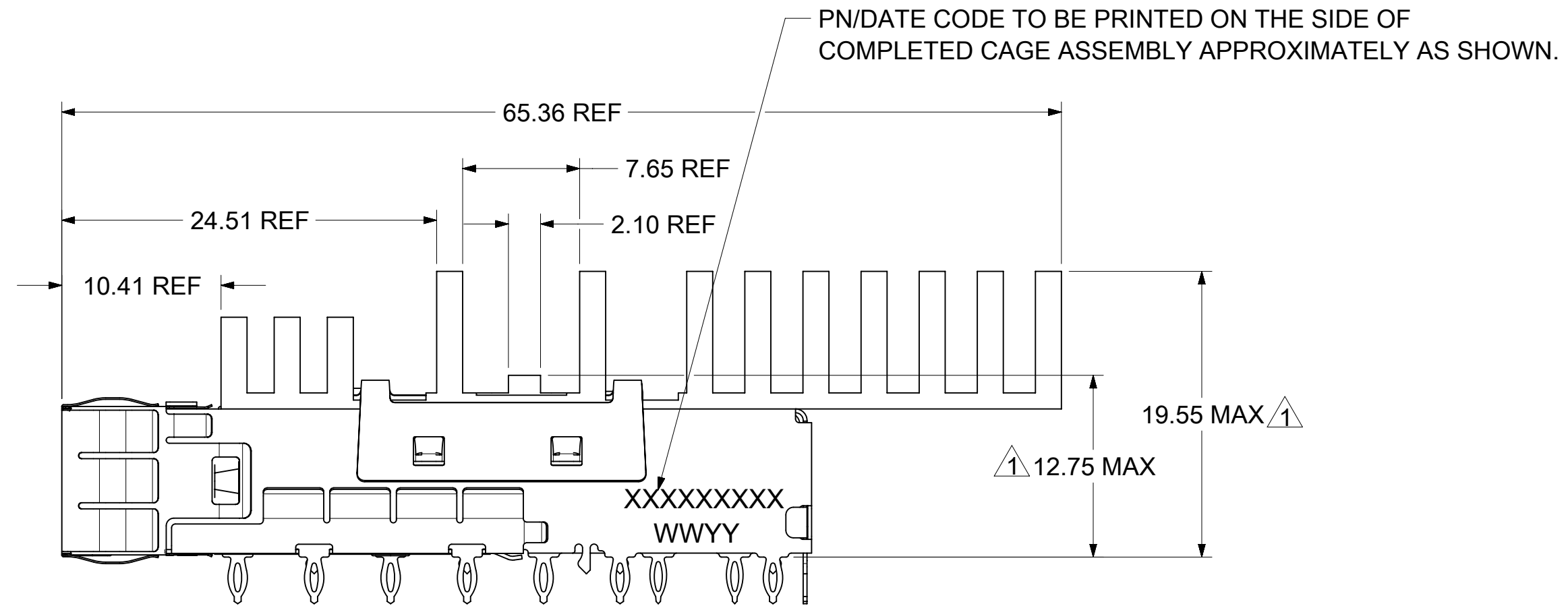
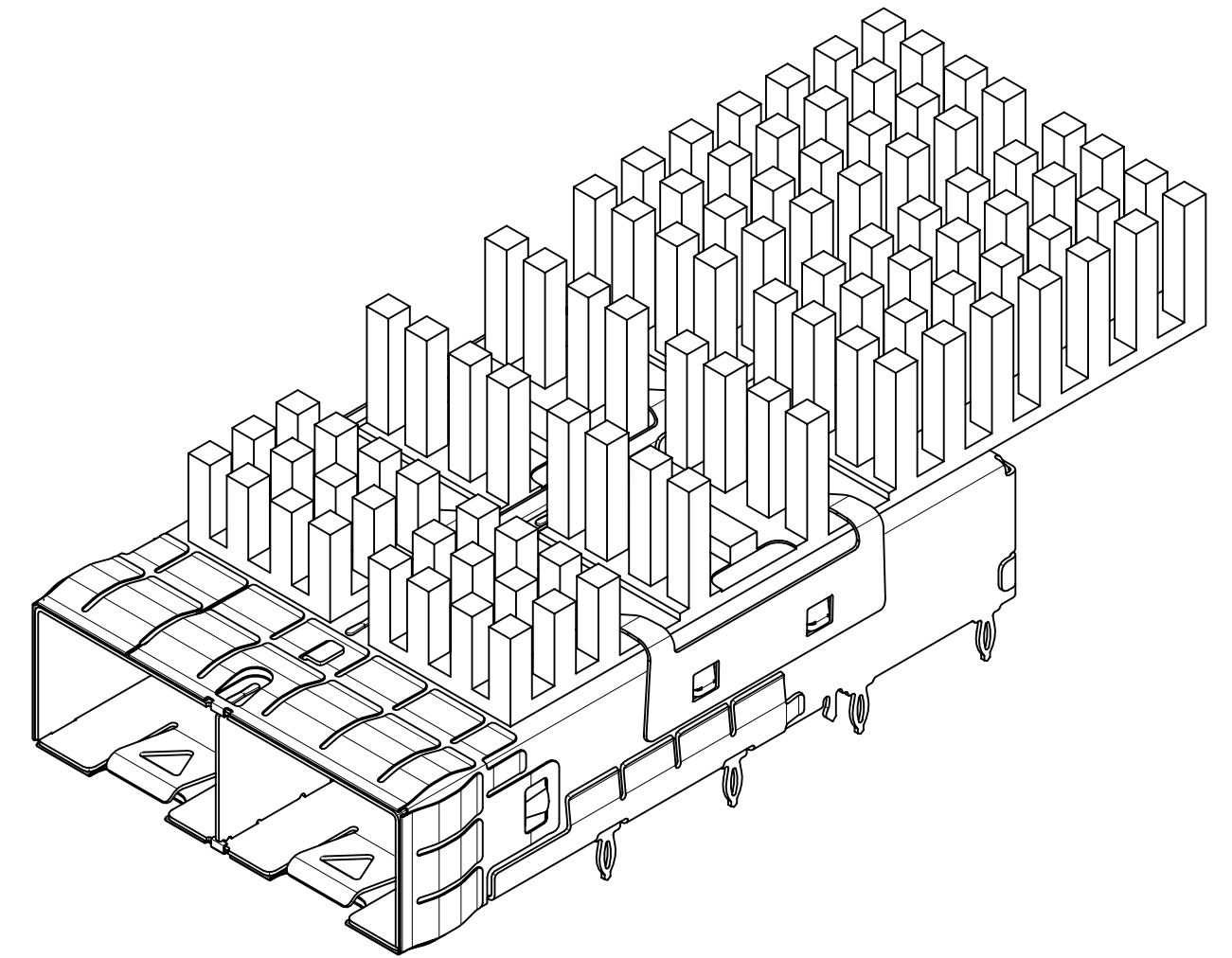
SHOWN



29.59 REF  
(OUTSIDE OF TABS)



INSULATING TAPE  
(LXW=18X12 REF)



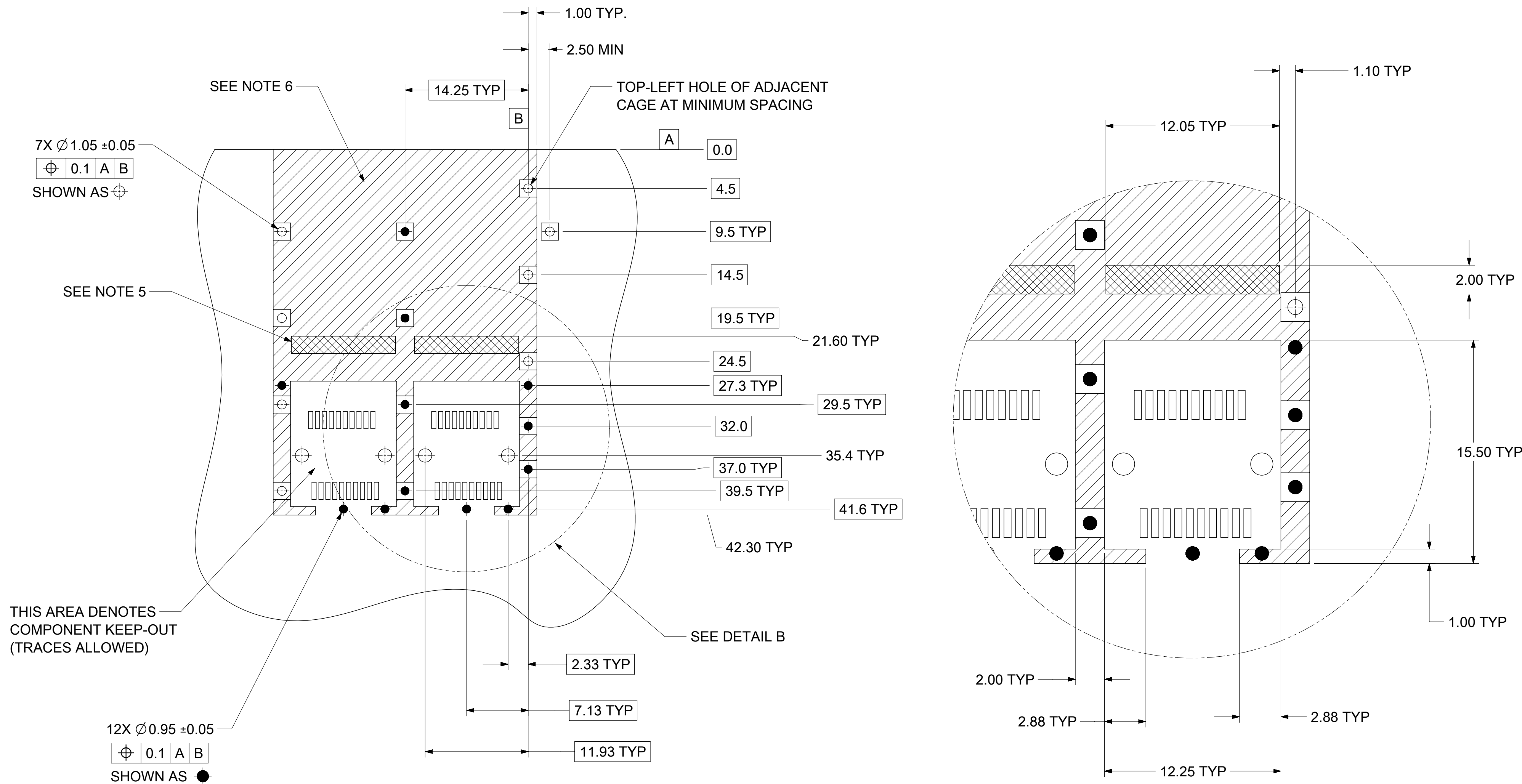
### WEEK/YEAR DATE CODE TABLE

WW	01 THRU 52 OR 53 EXAMPLE: 01 = FIRST WEEK OF YEAR 52 = LAST WEEK OF YEAR
YY	22, 23, 24 ETC. EXAMPLE: YEAR 2022 = 22

FUNCTIONAL SYMBOLS	THIS DRAWING CONTAINS INFORMATION THAT IS PROPRIETARY TO MOLEX ELECTRONIC TECHNOLOGIES, LLC AND SHOULD NOT BE USED WITHOUT WRITTEN PERMISSION		CURRENT REV DESC: SEE REVISION TABLE			
$\nabla_A = 0$	DIMENSION UNITS	SCALE	<p><b>molex</b></p> <p>SFP+ 1X2 CAGE ASSY PRESS FIT TYPE, W/ SUS EMI SPRING FINGER &amp; HEAT SINK</p>			
$\nabla_E = 0$	mm	3:1				
$\nabla_P = 0$	GENERAL TOLERANCES (UNLESS SPECIFIED)					
DIVISIONAL SYMBOLS	ANGULAR TOL	± 1.0°	EC NO: 707270			
	4 PLACES	±	DRWN: ABHILT2	2022/04/12		
	3 PLACES	±	CHK'D: TKUMARKC	2022/05/25		
	2 PLACES	± 0.15	APPR: SCHIEN	2022/06/01		
	1 PLACE	± 0.25	INITIAL REVISION:			
	0 PLACES	±	DRWN: ABHILT2	2022/04/12		
			APPR: SCHIEN	2022/06/01		
DRAFT WHERE APPLICABLE MUST REMAIN WITHIN DIMENSIONS	THIRD ANGLE PROJECTION	DRAWING	SERIES	MATERIAL NUMBER	CUSTOMER	SHEET NUMBER
		C-SIZE	111112	SEE P/N TABLE		3 OF 6

NOTE:  $\nabla_A$  HEIGHT OF HEATSINK WITH MODULE INSERTED DIMENSION MAY BE LESS DUE TO MODULE AND HEATSINK VARIATIONS

# PCB LAYOUT - SINGLE SIDE ONLY

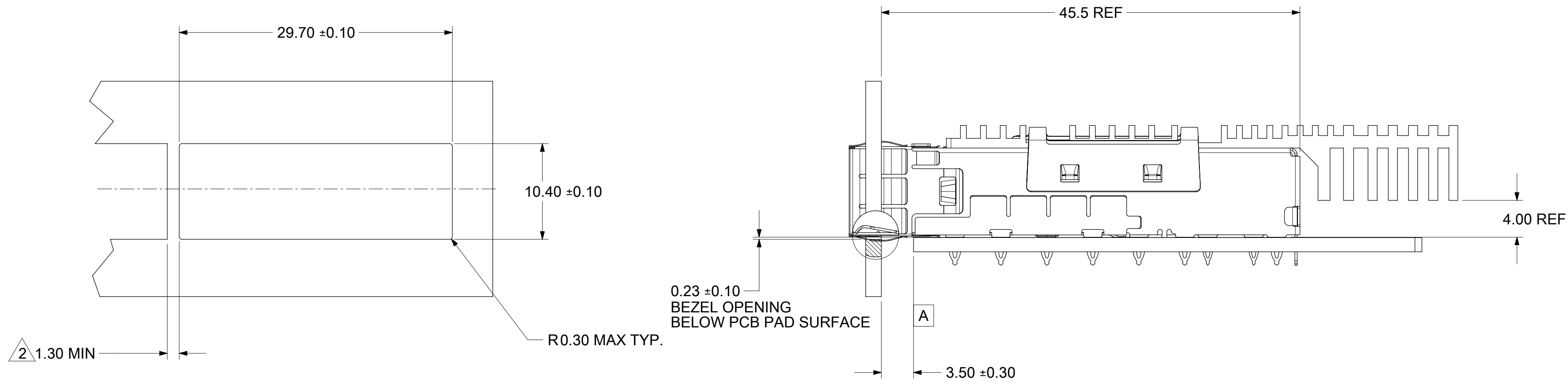


DETAIL B  
SCALE 5:1  
HOST CONNECTOR DETAIL

- NOTES:
- PADS AND VIAS CONNECT TO CHASSIS GROUND  
RECOMMEND PADS TO BE 2.00mm SQUARE
  - RECOMMENDED THRU HOLE PLATING INCLUDES HASL, OSP, OR IMMERSION (GOLD, SILVER, OR TIN)
  - CONNECTOR PAD LAYOUT PER SFP+ MSA WILL ACCOMODATE MOLEX CONNECTOR SERIES 74441 OR EQUIVALENT.
  - SPACING BETWEEN PORTS IS 14.25mm
  - CROSS-HATCHED AREA IS EXPOSED CHASSIS GROUND (NO OSP)
  - HATCHED AREA IS COMPONENT AND TRACE KEEP-OUT (EXCEPT CHASSIS GROUND)
  - 1.57mm MINIMUM PCB THICKNESS FOR SINGLE SIDED USE.

THIS DRAWING CONTAINS INFORMATION THAT IS PROPRIETARY TO MOLEX ELECTRONIC TECHNOLOGIES, LLC AND SHOULD NOT BE USED WITHOUT WRITTEN PERMISSION									
FUNCTIONAL SYMBOLS	DIMENSION UNITS	SCALE	CURRENT REV DESC: SEE REVISION TABLE						
$\nabla_A = 0$	mm	3:1	EC NO: 707270 DRWN: ABHILT2 CHK'D: TKUMARKC APPR: SCHIEN INITIAL REVISION: DRWN: ABHILT2 APPR: SCHIEN						
$\nabla_C = 0$	GENERAL TOLERANCES (UNLESS SPECIFIED)								
$\nabla_P = 0$	ANGULAR TOL ± 1.0°								
DIVISIONAL SYMBOLS	4 PLACES ±		2022/04/12	PRODUCT CUSTOMER DRAWING					
	3 PLACES ±		2022/05/25	DOCUMENT NUMBER					
	2 PLACES ± 0.15		2022/06/01	111128270					
	1 PLACE ± 0.25			PSD ASY A					
	0 PLACES ±			SHEET NUMBER					
DRAFT WHERE APPLICABLE MUST REMAIN WITHIN DIMENSIONS			THIRD ANGLE PROJECTION	DRAWING	SERIES	MATERIAL NUMBER	CUSTOMER	SEE P/N TABLE	
				C-SIZE	111112			4 OF 6	

# BEZEL AND BOARD POSITION DIMENSIONS FOR SINGLE SIDE MOUNTING (SPRING FINGER)



**NOTE:**  
 1. PCB THICKNESS VARIATION MUST BE CONSIDERED WHEN DETERMINING BEZEL OPENING LOCATION.  
 2. THIS DIMENSION IS FOR REFERENCE ONLY. USER CAN MODIFY IT DEPENDS ON APPLICATION.  
 (THIS DIMENSION VARIES BASED ON DISTANCE OF "HOLE OF ADJACENT CAGE" ON PCB LAYOUT.)

<b>FUNCTIONAL SYMBOLS</b>	THIS DRAWING CONTAINS INFORMATION THAT IS PROPRIETARY TO MOLEX ELECTRONIC TECHNOLOGIES, LLC AND SHOULD NOT BE USED WITHOUT WRITTEN PERMISSION										
$\frac{F}{A} = 0$	DIMENSION UNITS	SCALE	CURRENT REV DESC: SEE REVISION TABLE								
$\frac{F}{C} = 0$	mm	3:1	EC NO: 707270 DRWN: ABHILT2 2022/04/12 CHK'D: TKUMARKC 2022/05/25 APPR: SCHIEN 2022/06/01 INITIAL REVISION: DRWN: ABHILT2 2022/04/12 APPR: SCHIEN 2022/06/01								
$\frac{F}{P} = 0$	GENERAL TOLERANCES (UNLESS SPECIFIED)										
	ANGULAR TOL ± 1.0°										
	4 PLACES ±										
<b>DIVISIONAL SYMBOLS</b>	3 PLACES ±		PRODUCT CUSTOMER DRAWING								
	2 PLACES ± 0.15		DOCUMENT NUMBER				DOC TYPE		DOC PART		REVISION
	1 PLACE ± 0.25		111128270				PSD		ASY		A
	0 PLACES ±		MATERIAL NUMBER				CUSTOMER				SHEET NUMBER
	DRAFT WHERE APPLICABLE MUST REMAIN WITHIN DIMENSIONS		THIRD ANGLE PROJECTION		DRAWING		SERIES		SEE P/N TABLE		5 OF 6

