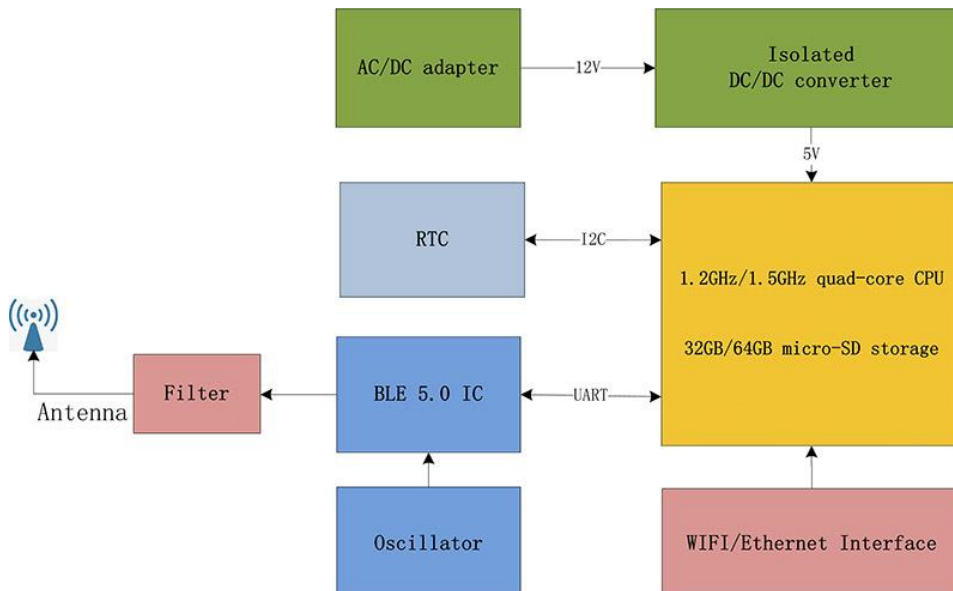


BroadSens edge-computing wireless gateways connect and control multiple wireless low power sensors such as SVT200-A, SVT200-V, SVT300-A and SVT400-A. The gateways include 4-core ARM processor for real-time data visualization and processing. It integrates a time-series database InfluxDB for data review and export. Vibration analysis software BroadVibra™ is installed at the gateway for time-domain and frequency domain vibration analysis. Data can be transferred to user's clouds or servers via MQTT protocol. The gateway can be accessed with a web browser, so there is no software installation required and it is ready to use with the sensors immediately.



Wireless gateway GU300

Models	GU200S	GU300
Microcontroller	ARM Cortex-A72 1.5Ghz 64bit	
Operating system	Linux Debian 64 bit	
RAM	2GB, 4GB or 8GB	
Data storage	32GB or 64GB, integrated database	64GB or 128GB, integrated database
Network interface	WIFI Ethernet, extended range to wireless sensors	
Sensor interface	2.4GHz ultra low power wireless protocol (FCC/IC approved)	
Number of wireless sensors	Up to 190 (60 SVT-A series, 30 SVT-V series and 100 SVT-T series)	
Power supply	9-18 VDC	
Power consumption	<15W	
Weight	555g (1.22 lb)	490g (1.06lb)
Size (L*W*H)	141*127*30 mm (5.55*5*1.18 inch)	
Working environment	Temperature: -30°C~60°C (-22°F~140°F); humidity: 10%~90%RH	
Additional features	Integrated database, Real-time clock with battery backup; Over-the-Air firmware secure update, 1-click BroadVibra software update, USB interface; GU300 also have GPIO ports, RS485 port, and additional power supply port	



## Gateway features

- Plug & Play
- Sensor grouping
- Large storage
- Data visualization
- Vibration analysis
- Easy upgrade
- Web interface
- MQTT control
- FFT analysis
- Advanced filtering

## Broadsens

- ✓
- ✓
- ✓
- ✓
- ✓
- ✓
- ✓
- ✓
- ✓
- ✓

## Other gateways

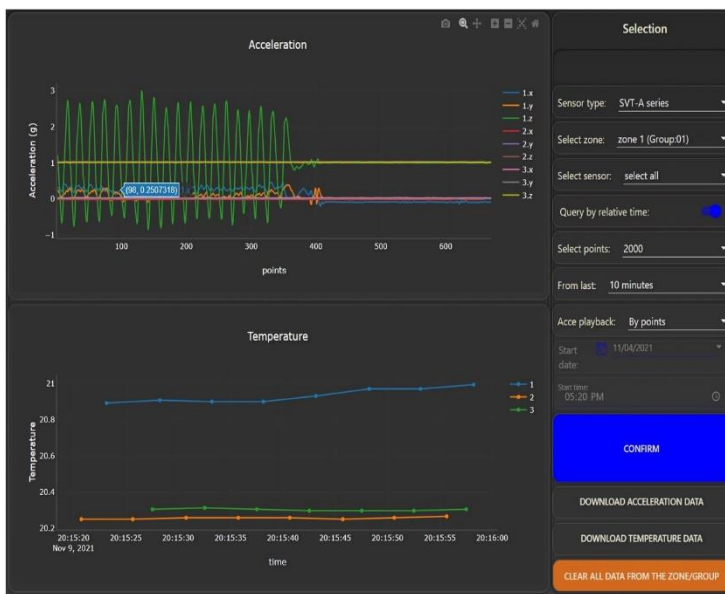
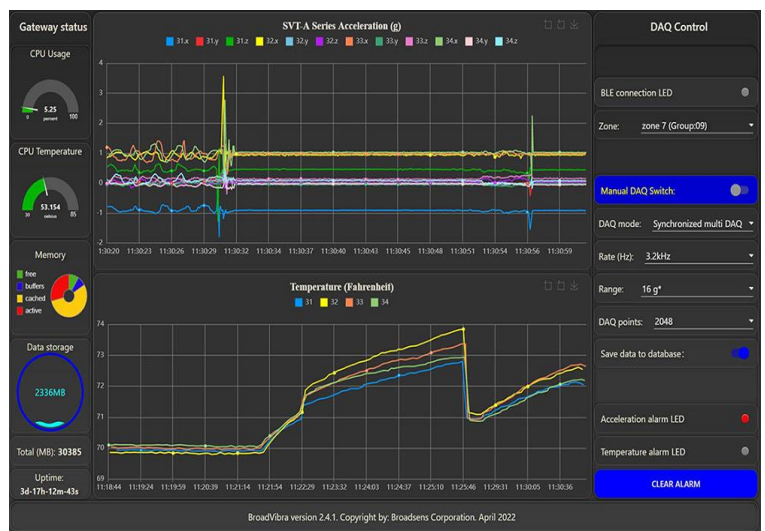
- ✗
- ✗
- ✗
- ✗
- ✗
- ✗
- ✗
- ✗
- ✗
- ✗



Wireless gateway GU200S

## BroadVibra Software

BroadVibra software is installed inside the wireless gateway. The software has intuitive interface and can be accessed from all major web browsers remotely. The software is ideal for predictive maintenance and conditional based monitoring



## Software Advantages

- Data visualization
- Real time monitoring
- Alarm setup
- Threshold adjustment
- Monitoring timer
- Data replay
- Vibration trend analysis
- FFT analysis
- Parameter adjustment
- Firmware update
- Secure data
- Filtering

“Broadsens, sense the broader world”

Website: [www.broadsens.com](http://www.broadsens.com)

Sales: [sales@broadsens.com](mailto:sales@broadsens.com)

Support: [support@broadsens.com](mailto:support@broadsens.com)

## USA Headquarter

. 100 S Murphy Ave Ste 200, Sunnyvale, CA, 94086

## Korean sales

USENS corporation, #T-7005, 66 Chungmin-ro, Songpa-gu, Seoul, Republic of Korea (05838).

## China sales

. Rm 803, No.152, Huixin Rd, Nanhu District, Jiaxing, China