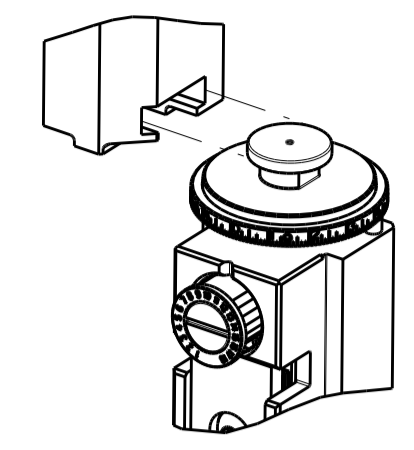


PART NUMBER	REVISION	DESCRIPTION	FEED TYPE
2266590-1	C	FINE CRIMP HEIGHT ADJUST	MECHANICAL
2266590-2	D	FINE CRIMP HEIGHT ADJUST	PNEUMATIC
5-2266590-1	C	SEAL STRIPPER CRIMPER TERMINATING UNIT	MECHANICAL
5-2266590-2	D	SEAL STRIPPER CRIMPER TERMINATING UNIT	PNEUMATIC
7-2266590-1	C	MECHANICAL AND CRIMP TOOLING KIT	MECHANICAL
7-2266590-2	D	PNEUMATIC AND CRIMP TOOLING KIT	PNEUMATIC
7-2266590-7	A	CRIMP TOOLING KIT	-

ATLANTIC VERSION TERMINATOR INTERFACE ADAPTER



APPLICATOR DATA		
CRIMP	SIZE	TYPE
WIRE	1.63 mm [.064]	F
INSUL	3.05 mm [1.20]	O

APPLICATOR INSTRUCTIONS 408-35042

TERMINAL DATA: KOSTAL TERMINAL KOSTAL CRIMP SPECIFICATION	
TERMINAL NAME: KOSTAL MLK 1.2 RECEPTACLE	
WIRE STRIP LENGTH	INSULATION DIAMETER RANGE
2.80-3.40 mm [.110-.134 IN]	Ø 1.65-2.10 mm [.065-.083 IN]
TERMINAL APPLICATION SPECIFICATION KOSTAL SPEC DOC00061540 MAY 2012	

TERMINALS APPLIED				
TE TERMINAL	KOSTAL TERMINAL	TE SEAL	KOSTAL SEAL	SEAL INSULATION DIAMETER RANGE
1949900-1	2 21 24 49269 0	2113388-1	121667-0023	Ø 1.9-2.1
1949900-2	2 21 24 61412 0	1949520-1	1 08 00 50725 0	Ø 1.9-2.1
1949900-3	2 21 25 61412 0	1572751-1	1 08 00 44452 1	Ø 1.9-2.1
1949900-4	2 21 40 61412 0	963530-1		Ø 1.4-1.9
1949900-5	2 21 25 49269 0			
1949900-6	2 21 40 49269 0			
1949900-7				
1949900-8				
1949900-9				
1949900-10				
1949900-11				
1949900-12				

TERMINAL DATA: KOSTAL TERMINAL KOSTAL CRIMP SPECIFICATION	
TERMINAL NAME: KOSTAL MLK 1.2 RECEPTACLE	
WIRE STRIP LENGTH	INSULATION DIAMETER RANGE
2.80-3.40 mm [.110-.134 IN]	Ø 1.65-2.10 mm [.065-.083 IN]
TERMINAL APPLICATION SPECIFICATION KOSTAL SPEC DOC00061540 MAY 2012	

TERMINALS APPLIED				
TE TERMINAL	KOSTAL TERMINAL	TE SEAL	KOSTAL SEAL	SEAL INSULATION DIAMETER RANGE
1-1949900-9	3 21 40 68096 0	2113388-1	121667-0023	Ø 1.9-2.1
2-1949900-0	3 21 40 68089 0	1949520-1	1 08 00 50725 0	Ø 1.9-2.1
2-1949900-1	3 21 24 68089 0	1572751-1	1 08 00 44452 1	Ø 1.9-2.1
2-1949900-2	3 21 25 68089 0	963530-1		Ø 1.4-1.9
2-1949900-3	3 21 24 68096 0			
2-1949900-4	3 21 25 68096 0			

WIRE SIZE	CRIMP HEIGHT mm [INCH]	CRIMP HEIGHT REFERENCE SETTING
0.75mm2	1.04+/-0.03 [.041+/-0.001]	6.6
20 AWG	0.97+/-0.03 [.038+/-0.001]	7.3
0.50mm2	0.96+/-0.03 [.038+/-0.001]	7.5

WIRE SIZE	CRIMP HEIGHT mm [INCH]	CRIMP HEIGHT REFERENCE SETTING
1.00mm2	1.20+/-0.03 [.047+/-0.001]	4.8
18 AWG	1.13+/-0.03 [.044+/-0.001]	5.7
0.75mm2	1.10+/-0.03 [.043+/-0.001]	5.9

- RECOMMENDED SPARE PARTS
- REFER TO SUPPLIED INSTRUCTION SHEET FOR CLEANING, LUBRICATION AND STORAGE OF APPLICATOR.
- APPLY PART NUMBER 1-23419-5 LOCTITE TO THREADS OF ITEMS 180. APPLY PART NUMBER 2-23419-6 LOCTITE TO THREADS OF ITEM 242.
- CRIMP HEIGHT REFERENCE SETTING WAS THE SETTING USED WHEN THE APPLICATOR WAS QUALIFIED AT THE FACTORY. ADJUSTMENT MAY BE NECESSARY WHEN RUNNING APPLICATOR IN THE FIELD.
- APPLY TORO-SEAL IN ALLEN SOCKET TO FILL HOLE AFTER FLAT HD HAS BEEN ADJUSTED TO CORRECT HEIGHT AT QUALIFICATION. APPLY #1-23419-5 LOC-TITE TO THREADS.
- UNLESS SPECIFIED OTHERWISE TORQUE VALUES SHALL BE USED PER DOCUMENT, 101-35000.
- TERMINAL LUBRICANT IS RECOMMENDED.

**\*WARNING**  
ON INSTALLATION, SET WIRE DISC TO CRIMP HEIGHT REFERENCE SETTING FOR LARGEST WIRE SIZE. CRIMP HEIGHT REFERENCE SETTINGS GREATER THAN THE VALUE SHOWN MAY CAUSE DAMAGE TO THE CRIMP TOOLING. REFER TO THE INSTRUCTION SHEET FOR PROPER SETUP AND ADJUSTMENTS.

LOC	DIST	REVISIONS					
A	66	P	LTN	DESCRIPTION	DATE	OWN	APVD
		A1		ECR-17-016095	01NOV2017	JAH	JDG
		B		ECR-18-009276	15JUN2018	JAH	JDG
		C		ECR-19-008238	29MAY2019	TB	TE
		D		ECR-20-011140	06AUG2020	FZ	TE

-	-	-	1	1	-	-	1803515-3	RAM ASSEMBLY, SF ATLANTIC	293
-	-	-	1	1	-	-	2-1803583-1	APPLICATOR BASIC ASSEMBLY, SF	292
-	1	-	1	-	1	-	2119641-1	FEED CAM, AIR FEED	248
-	1	1	1	1	1	1	2119082-4	CAM, SNAIL, INSULATION ADJUSTMENT	244
-	1	1	1	1	1	1	2079764-1	WASHER, WAVE SPRING, CREST-TO-CREST	243
-	1	1	1	1	1	1	2119083-1	RETAINER, INSULATION DIAL	242
-	1	1	1	1	1	1	7-18023-7	SCR, SKT HD CAP M3 X 4.0	241
-	-	1	-	1	-	1	2119580-1	MECHANICAL FEED ASSEMBLY	239
-	1	-	1	-	1	-	2844940-1	AIR FEED MODULE	238
-	-	-	1	1	-	-	4-1722335-3	STRIPPER, SIDE FEED	182
-	-	-	1	1	-	-	1-5018030-0	NUT, HEX, REG, RoHS, M3.5	181
-	-	-	1	1	-	-	1-1752354-3	STANDOFF,HOLD-DOWN	180
-	-	-	1	1	-	-	9931111-1	PIN, SLOTTED SPRING 3.0 x 20.0	177
-	-	-	1	1	-	-	5-22280-0	SPRING, COMPRESSION	176
-	-	-	1	1	-	-	1752353-3	GUIDE PIN,HOLDDOWN	175
-	-	-	1	1	-	-	1901680-2	GUIDE PIN,HOLDDOWN	174
-	REF	REF	REF	REF	REF	REF	994970-2	COUNTER, MAGNETIC	164
-	1	1	1	1	1	1	2119955-1	ASSY, LUBRICATOR, SIDE FEED	113
-	1	1	1	1	1	1	2844908-1	SCREW, LOCKING	99
-	1	1	1	1	1	1	2844907-1	POST, LOCKING	98
-	1	1	1	1	1	1	455888-6	SPACER, CRIMPER	82
-	1	1	1	1	1	1	1803607-3	DOCUMENTATION PACKAGE	71
-	1	1	1	1	1	1	2119791-9	DEPRESSOR, WIRE	70
-	1	1	1	1	1	1	2119943-1	WASHER, SPACER	69
-	1	1	1	1	1	1	2119740-1	TAG,IDENTIFICATION	67
-	2	2	2	2	2	2	2168078-1	SCREW, DRIVE, RH, RoHS, 2 x .188	66
-	1	1	1	1	1	1	2168083-2	SCR, SKT HD CAP, RoHS, M4 X 8.0	60
-	1	1	1	1	1	1	5-18022-5	SCR, HEX HD CAP, M4 X 6.0	59
-	1	1	1	1	1	1	985575-3	SCR, FLT SKT HD CAP M3 X 10.0	57
-	1	1	1	1	1	1	1338685-1	PAWL, FEED	56
-	4	4	4	4	4	4	2168083-3	SCR, SKT HD CAP, RoHS, M4 X 12.0	54
-	2	2	2	2	2	2	2168083-3	SCR, SKT HD CAP, RoHS, M4 X 12.0	53
-	1	1	1	1	1	1	5018030-1	NUT, HEX, REG, RoHS, M3	52
-	1	1	1	1	1	1	811242-5	BUMPER, HOLD DOWN	51
-	1	1	1	1	1	1	690753-2	SPACER, TONKER	50
-	1	2	1	2	1	2	18023-9	SCR, SKT HD CAP M4 X 6.0	49
-	-	1	-	1	-	1	2119652-1	FEED CAM, PRE FEED	48
-	-	1	-	1	-	1	2119653-1	FEED CAM, POST FEED	47
-	1	1	-	-	1	1	1803583-9	APPLICATOR BASIC ASSEMBLY, SF	46
-	1	1	-	-	1	1	1803515-1	RAM ASSEMBLY, SF ATLANTIC	44
-	1	1	1	1	1	1	1803602-1	SCR, BHSC, RoHS (M8 X 25)	41
-	1	1	1	1	1	1	1752356-6	SUPPORT, TERMINAL	34
-	2	2	2	2	2	2	2079383-5	SCR, BHSC, RoHS (M4 X 20)	33
-	2	2	2	2	2	2	2-2844962-8	SPACER, CYLINDRICAL, STRIP GUIDE	30
-	1	1	1	1	1	1	2844992-1	ASSEMBLY, STRIP GUIDE	29
-	1	1	1	1	1	1	455888-3	SPACER, CRIMPER	28
-	1	1	1	1	1	1	1320928-2	STRIP GUIDE	24
-	1	1	-	-	1	1	2168083-2	SCR, SKT HD CAP, RoHS, M4 X 8.0	21
-	2	2	1	1	2	2	1-18028-2	WASHER, FLAT, REG M4	20
-	1	1	-	-	1	1	2119533-1	STRIPPER, SIDE FEED	19
-	1	1	1	1	1	1	2119806-1	INSERT, SHEAR	13
-	1	1	1	1	1	1	3-22280-3	SPRING, COMPRESSION	12
-	1	1	1	1	1	1	1-356885-4	STOP, SHEAR	11
-	1	1	1	1	1	1	2119805-1	SHEAR HOLDER, FRONT	10
-	1	1	1	1	1	1	318707-1	FLOATING SHEAR, FRONT	9
1	2	2	1	1	1	1	3-1633928-4	ANVIL, COMBINATION	8
-	1	1	1	1	1	1	240641-4	SPACER	7
-	-	-	-	-	-	-	-	-	6
-	1	1	1	1	1	1	2119781-1	DEPRESSOR, SHEAR	5
-	1	1	1	1	1	1	238011-4	BLOCK, CRIMPER SPACER	4
1	2	2	1	1	1	1	1633965-2	CRIMPER, INSULATION O PREMIUM	3
-	1	1	1	1	1	1	1-455888-0	SPACER, CRIMPER	2
1	2	2	1	1	1	1	5-1633738-9	CRIMPER, WIRE	1

ATLANTIC VERSION  
Shown on sheets 1 of 4 & 2 of 4  
(Pacific version shown on sheets 3 of 4 & 4 of 4)

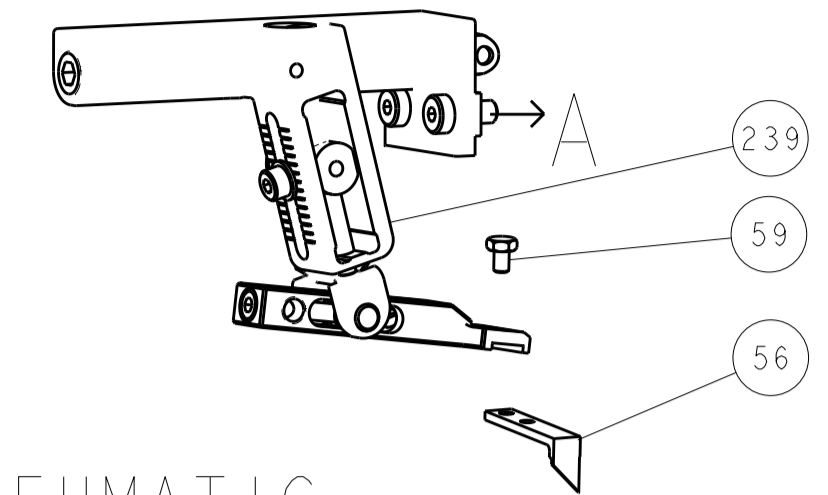
ITEM NO	PART NO	DESCRIPTION
-77	-72	-71
-52	-51	-2
-1		

CHK	Y. YIN	12OCT2013
CHK	G. BAILEY	12OCT2013
APVD	J. GUO	12OCT2013

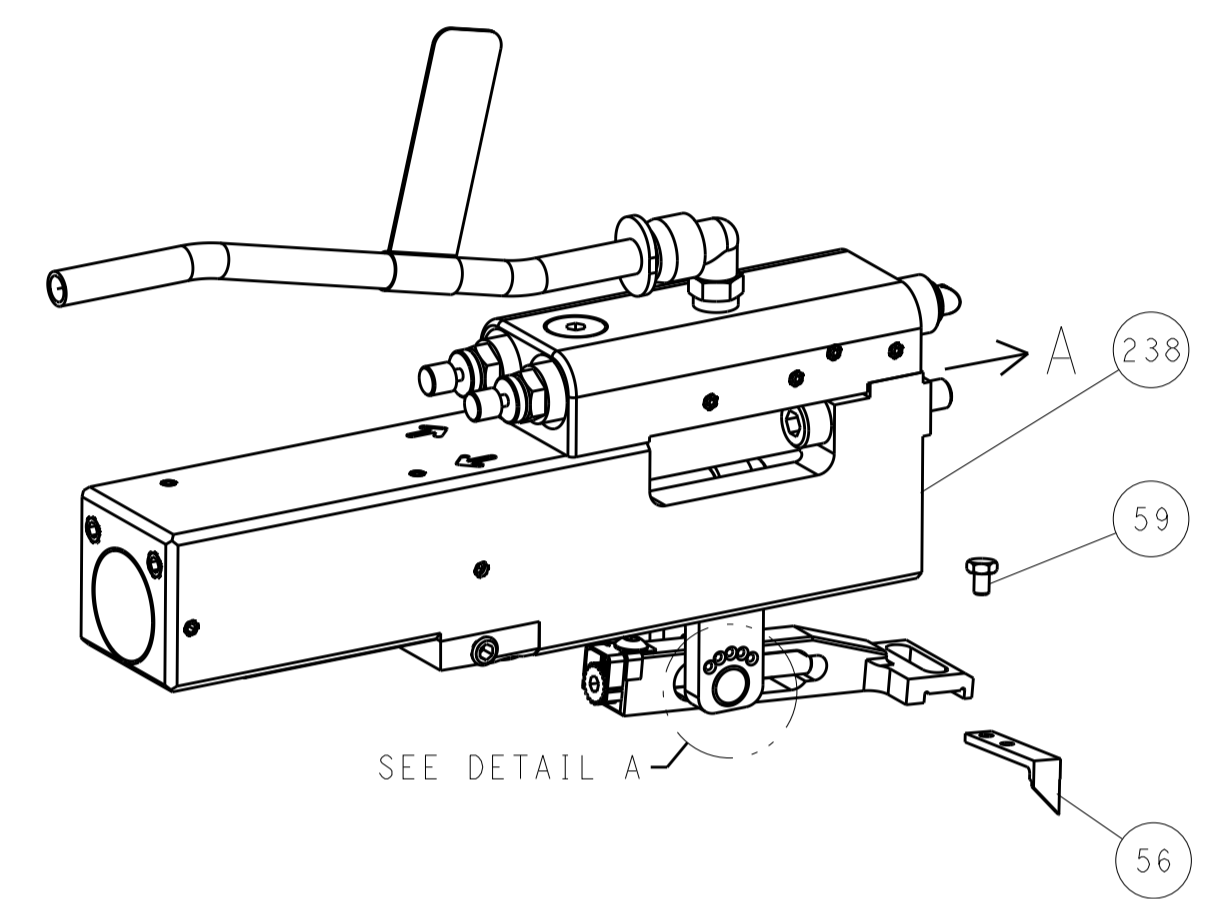
TE Connectivity	Harrisburg, PA 17105-3608
NAME	Ocean Side Feed Applicator
SIZE	A1
CAGE CODE	00779
DRAWING NO	2266590
RESTRICTED TO	Customer Accessible Production Drawing
SCALE	1:2
SHEET	1 of 4
REV	D

LOC	DIST	REVISIONS					
A	66	P	LTN	DESCRIPTION	DATE	DMN	APVD
		-	-	SEE SHEET 1	-	-	-

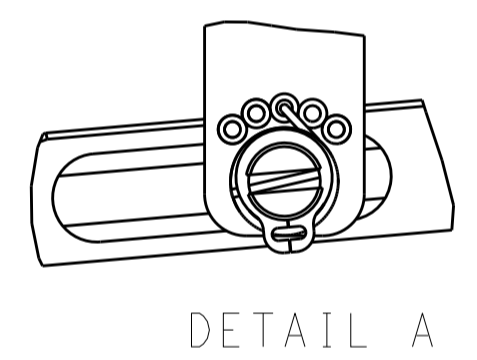
# FEED TYPE MECHANICAL



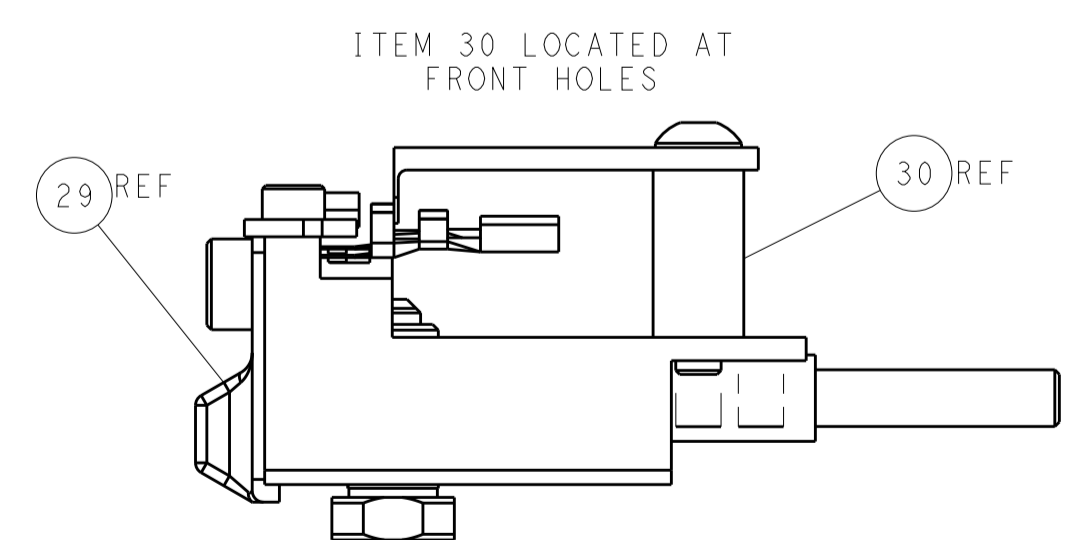
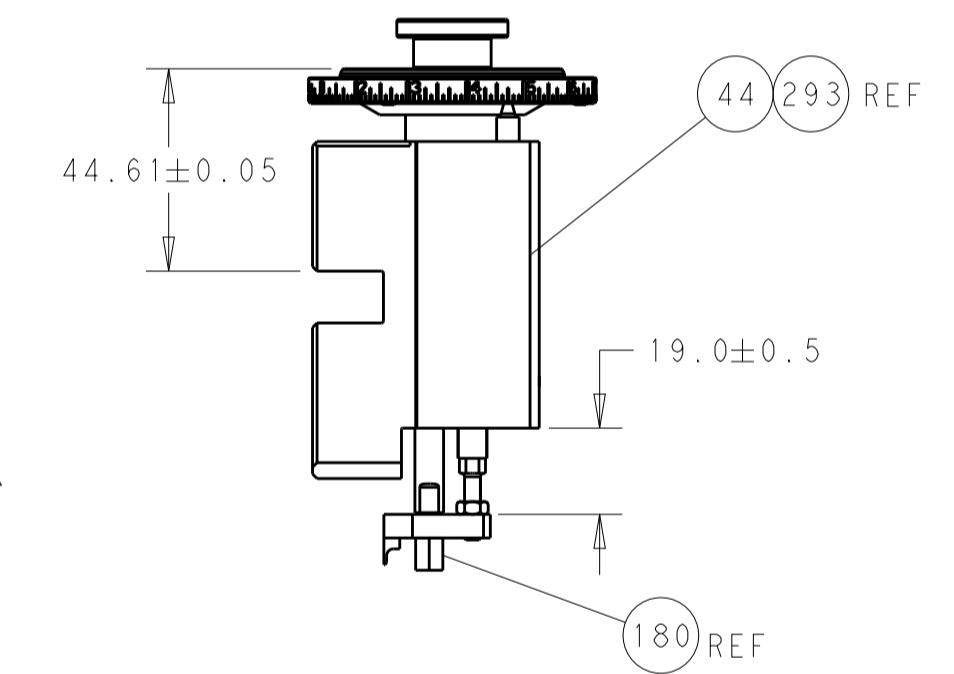
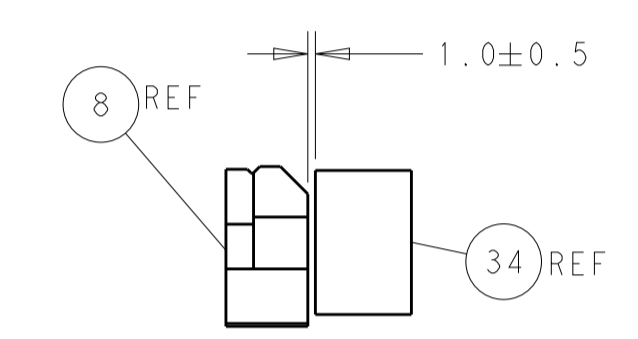
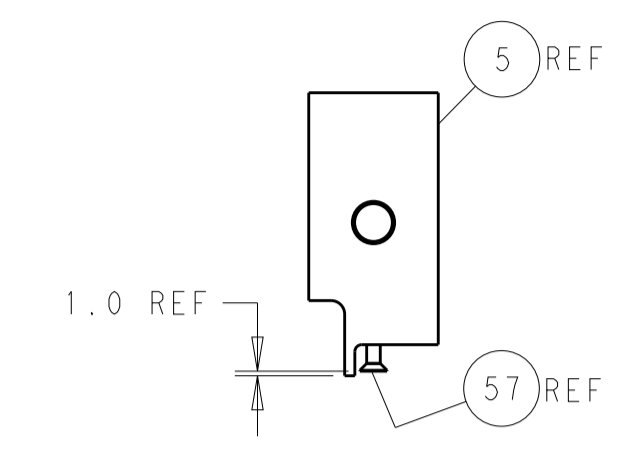
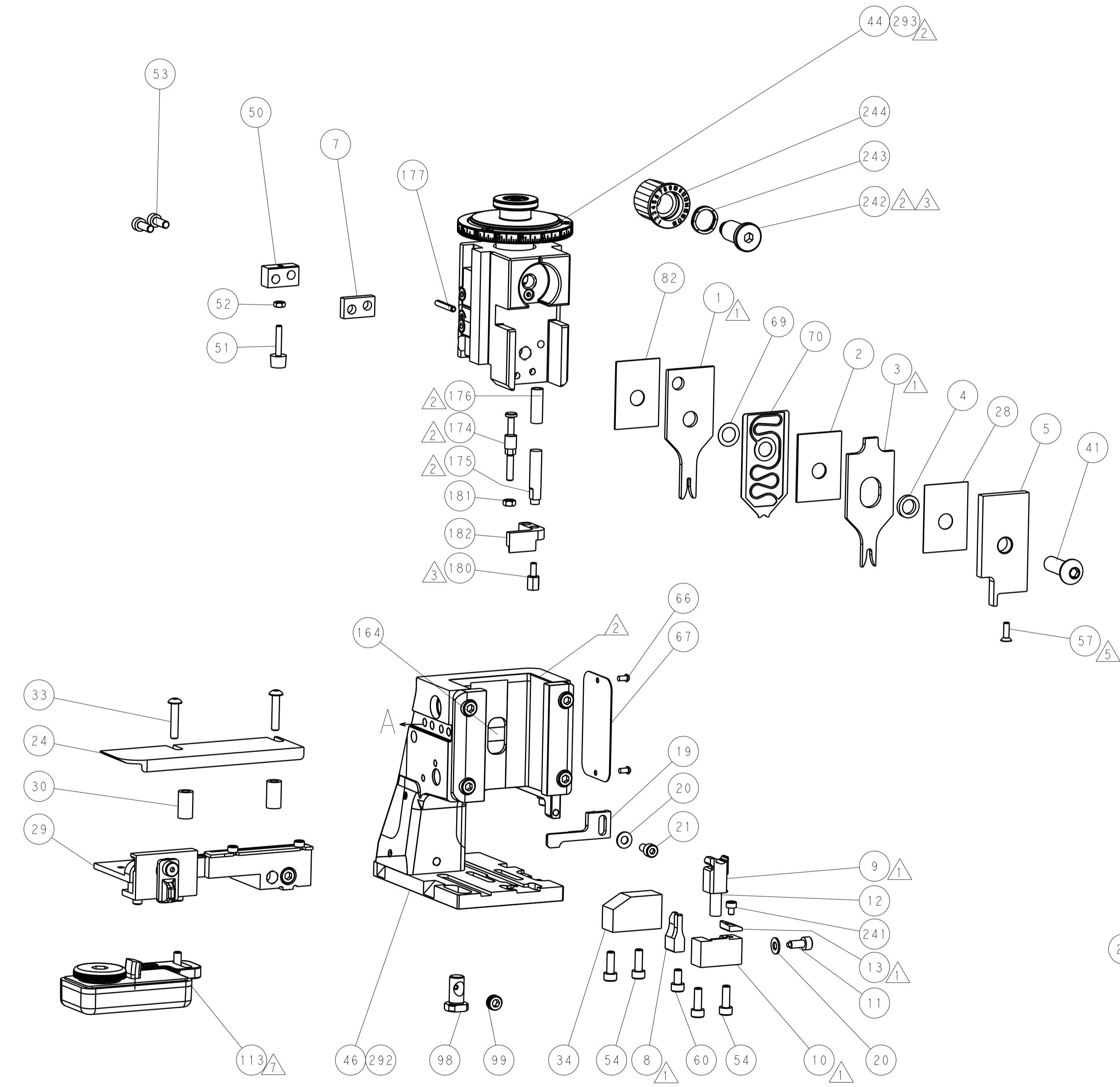
## PNEUMATIC



## FEED SPRING SETTING POSITION (SHOWN FROM REAR SIDE)



# CAM POSITIONS



**ATLANTIC VERSION**  
 Shown on sheets 1 of 4 & 2 of 4  
 (Pacific version shown on sheets 3 of 4 & 4 of 4)

DIMENSIONS:		TOLERANCES UNLESS OTHERWISE SPECIFIED:		DWG: Y. YIN 12OCT2013		TE Connectivity	
mm	0 PLC ±	1 PLC ±	2 PLC ±	3 PLC ±	4 PLC ±	NAME: Ocean Side Feed Applicator	Harrisburg, PA 17105-3608
MATERIAL:	FINISH:	WEIGHT:	SCALE: 1:2	SHEET: 2 of 4	REV: D	RESTRICTED TO	

PART NUMBER	REVISION	DESCRIPTION	FEED TYPE
2-2266590-1	C	FINE CRIMP HEIGHT ADJUST	MECHANICAL
2-2266590-2	D	FINE CRIMP HEIGHT ADJUST	PNEUMATIC
7-2266590-7	A	CRIMP TOOLING KIT	-

PACIFIC VERSION TERMINATOR  
INTERFACE ADAPTER



APPLICATOR DATA		
CRIMP	SIZE	TYPE
WIRE	1.63 mm [.064]	F
INSUL	3.05 mm [.120]	O

APPLICATOR INSTRUCTIONS  
408-35042

TERMINAL DATA: KOSTAL TERMINAL KOSTAL CRIMP SPECIFICATION	
TERMINAL NAME: KOSTAL MLK 1.2 RECEPTACLE	
WIRE STRIP LENGTH	INSULATION DIAMETER RANGE
2.80-3.40 mm [.110-.134 IN]	Ø 1.65-2.10 mm [.065-.083 IN]
TERMINAL APPLICATION KOSTAL SPEC DOC00061540 MAY 2012	
SPECIFICATION	

TERMINALS APPLIED				SEAL INSULATION DIAMETER RANGE
TE TERMINAL	KOSTAL TERMINAL	TE SEAL	KOSTAL SEAL	
1949900-1	2 21 24 49269 0	2113388-1	121667-0023	Ø 1.9-2.1
1949900-2	2 21 24 61412 0	1949520-1	1 08 00 50725 0	Ø 1.9-2.1
1949900-3	2 21 25 61412 0	1572751-1	1 08 00 44452 1	Ø 1.9-2.1
1949900-4	2 21 40 61412 0	963530-1		Ø 1.4-1.9
1949900-5	2 21 25 49269 0			
1949900-6	2 21 40 49269 0			
1949900-7				
1949900-8				
1949900-9				
1949900-10				
1949900-11				
1949900-12				

TERMINAL DATA: KOSTAL TERMINAL KOSTAL CRIMP SPECIFICATION	
TERMINAL NAME: KOSTAL MLK 1.2 RECEPTACLE	
WIRE STRIP LENGTH	INSULATION DIAMETER RANGE
2.80-3.40 mm [.110-.134 IN]	Ø 1.65-2.10 mm [.065-.083 IN]
TERMINAL APPLICATION KOSTAL SPEC DOC00061540 MAY 2012	
SPECIFICATION	

TERMINALS APPLIED				SEAL INSULATION DIAMETER RANGE
TE TERMINAL	KOSTAL TERMINAL	TE SEAL	KOSTAL SEAL	
1-1949900-9	3 21 40 68096 0	2113388-1	121667-0023	Ø 1.9-2.1
2-1949900-0	3 21 40 68089 0	1949520-1	1 08 00 50725 0	Ø 1.9-2.1
2-1949900-1	3 21 24 68089 0	1572751-1	1 08 00 44452 1	Ø 1.9-2.1
2-1949900-2	3 21 25 68089 0	963530-1		Ø 1.4-1.9
2-1949900-3	3 21 24 68096 0			
2-1949900-4	3 21 25 68096 0			

WIRE SIZE	CRIMP HEIGHT mm [INCH]	CRIMP HEIGHT REFERENCE SETTING
0.75mm2	1.04+/-0.03 [.041+/-0.001]	6.6
20 AWG	0.97+/-0.03 [.038+/-0.001]	7.3
0.50mm2	0.96+/-0.03 [.038+/-0.001]	7.5

WIRE SIZE	CRIMP HEIGHT mm [INCH]	CRIMP HEIGHT REFERENCE SETTING
1.00mm2	1.20+/-0.03 [.047+/-0.001]	4.8
18 AWG	1.13+/-0.03 [.044+/-0.001]	5.7
0.75mm2	1.10+/-0.03 [.043+/-0.001]	5.9

- RECOMMENDED SPARE PARTS
- REFER TO SUPPLIED INSTRUCTION SHEET FOR CLEANING, LUBRICATION AND STORAGE OF APPLICATOR.
- APPLY PART NUMBER 2-23419-6 LOCTITE TO THREADS OF ITEM 242.
- CRIMP HEIGHT REFERENCE SETTING WAS THE SETTING USED WHEN THE APPLICATOR WAS QUALIFIED AT THE FACTORY. ADJUSTMENT MAY BE NECESSARY WHEN RUNNING APPLICATOR IN THE FIELD.
- APPLY TORQ-SEAL IN ALLEN SOCKET TO FILL HOLE AFTER FLAT HD HAS BEEN ADJUSTED TO CORRECT HEIGHT AT QUALIFICATION. APPLY #1-23419-5 LOC-TITE TO THREADS.
- UNLESS SPECIFIED OTHERWISE TORQUE VALUES SHALL BE USED PER DOCUMENT, 101-35000.
- TERMINAL LUBRICANT IS RECOMMENDED.

**\*WARNING**  
ON INSTALLATION, SET WIRE DISC TO CRIMP HEIGHT REFERENCE SETTING FOR LARGEST WIRE SIZE. CRIMP HEIGHT REFERENCE SETTINGS GREATER THAN THE VALUE SHOWN MAY CAUSE DAMAGE TO THE CRIMP TOOLING, REFER TO THE INSTRUCTION SHEET FOR PROPER SETUP AND ADJUSTMENTS.

LOC	DIST	REV	DATE	BY	APPV
A	66				

REV	DATE	DESCRIPTION	ITEM NO		
-	1	1	2119082-4	CAM, SNAIL, INSULATION ADJUSTMENT	244
-	1	1	2079764-1	WASHER, WAVE SPRING, CREST-TO-CREST	243
-	1	1	2119083-1	RETAINER, INSULATION DIAL	242
-	1	1	7-18023-7	SCR, SKT HD CAP M3 X 4.0	241
-	-	1	2119580-1	MECHANICAL FEED ASSEMBLY	239
-	1	-	2844940-1	AIR FEED MODULE	238
-	REF	REF	994970-2	COUNTER, MAGNETIC	164
-	1	-	2119641-2	FEED CAM, AIR FEED	151
-	1	1	2168083-8	SCR, SKT HD CAP, RoHS, M4 X 16	144
-	4	4	2168083-9	SCR, SKT HD CAP, RoHS, M4 X 20	143
-	-	1	2119653-2	FEED CAM, POST FEED	142
-	1	1	1-1803583-0	APPLICATOR BASIC ASSEMBLY, SF	141
-	1	1	1803516-1	RAM ASSEMBLY, SF PACIFIC	140
-	1	1	2119955-1	ASSY, LUBRICATOR, SIDE FEED	113
-	1	1	2844908-1	SCREW, LOCKING	99
-	1	1	2844907-1	POST, LOCKING	98
-	1	1	455888-6	SPACER, CRIMPER	82
-	1	1	1803607-3	DOCUMENTATION PACKAGE	71
-	1	1	2119791-9	DEPRESSOR, WIRE	70
-	1	1	2119943-1	WASHER, SPACER	69
-	1	1	2119740-1	TAG, IDENTIFICATION	67
-	2	2	2168078-1	SCREW, DRIVE, RH, RoHS, 2 x .188	66
-	1	1	5-18022-5	SCR, HEX HD CAP, M4 X 6.0	59
-	1	1	985575-3	SCR, FLT SKT HD CAP M3 X 10.0	57
-	1	1	1338685-1	PAWL, FEED	56
-	2	2	2168083-3	SCR, SKT HD CAP, RoHS, M4 X 12.0	53
-	1	1	5018030-1	NUT, HEX, REG, RoHS, M3	52
-	1	1	811242-5	BUMPER, HOLD DOWN	51
-	1	1	690753-2	SPACER, TONKER	50
-	1	2	18023-9	SCR, SKT HD CAP M4 X 6.0	49
-	-	1	2119652-1	FEED CAM, PRE FEED	48
-	1	1	1803602-1	SCR, BHSC, RoHS (M8 X 25)	41
-	1	1	1752356-6	SUPPORT, TERMINAL	34
-	2	2	2079383-5	SCR, BHSC, RoHS (M4 X 20)	33
-	2	2	2-2844962-8	SPACER, CYLINDRICAL, STRIP GUIDE	30
-	1	1	2844992-1	ASSEMBLY, STRIP GUIDE	29
-	1	1	455888-3	SPACER, CRIMPER	28
-	1	1	1320928-2	STRIP GUIDE	24
-	1	1	2168083-2	SCR, SKT HD CAP, RoHS, M4 X 8.0	21
-	2	2	1-18028-2	WASHER, FLAT, REG M4	20
-	1	1	2119533-1	STRIPPER, SIDE FEED	19
-	1	1	2119806-1	INSERT, SHEAR	13
-	1	1	3-22280-3	SPRING, COMPRESSION	12
-	1	1	1-356885-4	STOP, SHEAR	11
-	1	1	2119805-1	SHEAR HOLDER, FRONT	10
-	1	1	318707-1	FLOATING SHEAR, FRONT	9
-	1	1	3-1633928-4	ANVIL, COMBINATION	8
-	1	1	240641-4	SPACER	7
-	-	-	-	-	6
-	1	1	2119781-1	DEPRESSOR, SHEAR	5
-	1	1	238011-4	BLOCK, CRIMPER SPACER	4
-	1	1	1633965-2	CRIMPER, INSULATION O PREMIUM	3
-	1	1	1-455888-0	SPACER, CRIMPER	2
-	1	1	5-1633738-9	CRIMPER, WIRE	1

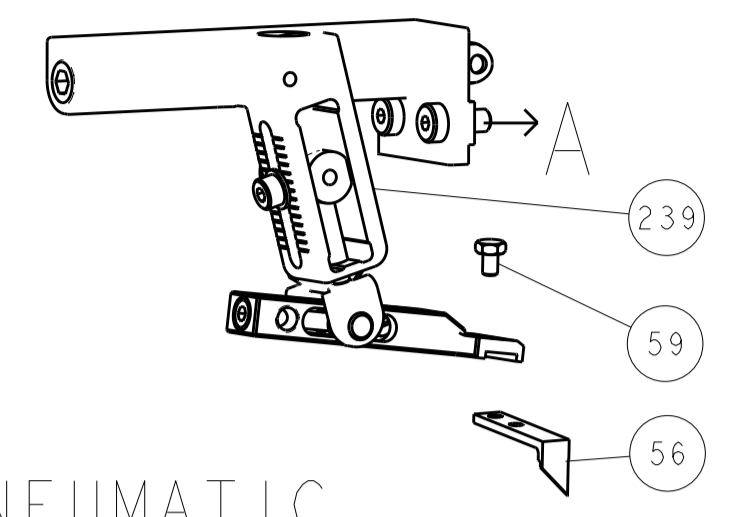
PACIFIC VERSION  
Shown on sheets 3 of 4 & 4 of 4  
(Atlantic version shown on sheets 1 of 4 & 2 of 4)

DIMENSIONS:		TOLERANCES UNLESS OTHERWISE SPECIFIED:		DRAWN BY		DATE		CHECKED BY		DATE	
mm	0 PLC	±		Y. YIN	120CT2013			G. BAILEY	120CT2013		
	1 PLC	±									
	2 PLC	±									
	3 PLC	±									
	4 PLC	±									
	ANGLES	±									
	FINISH	±									

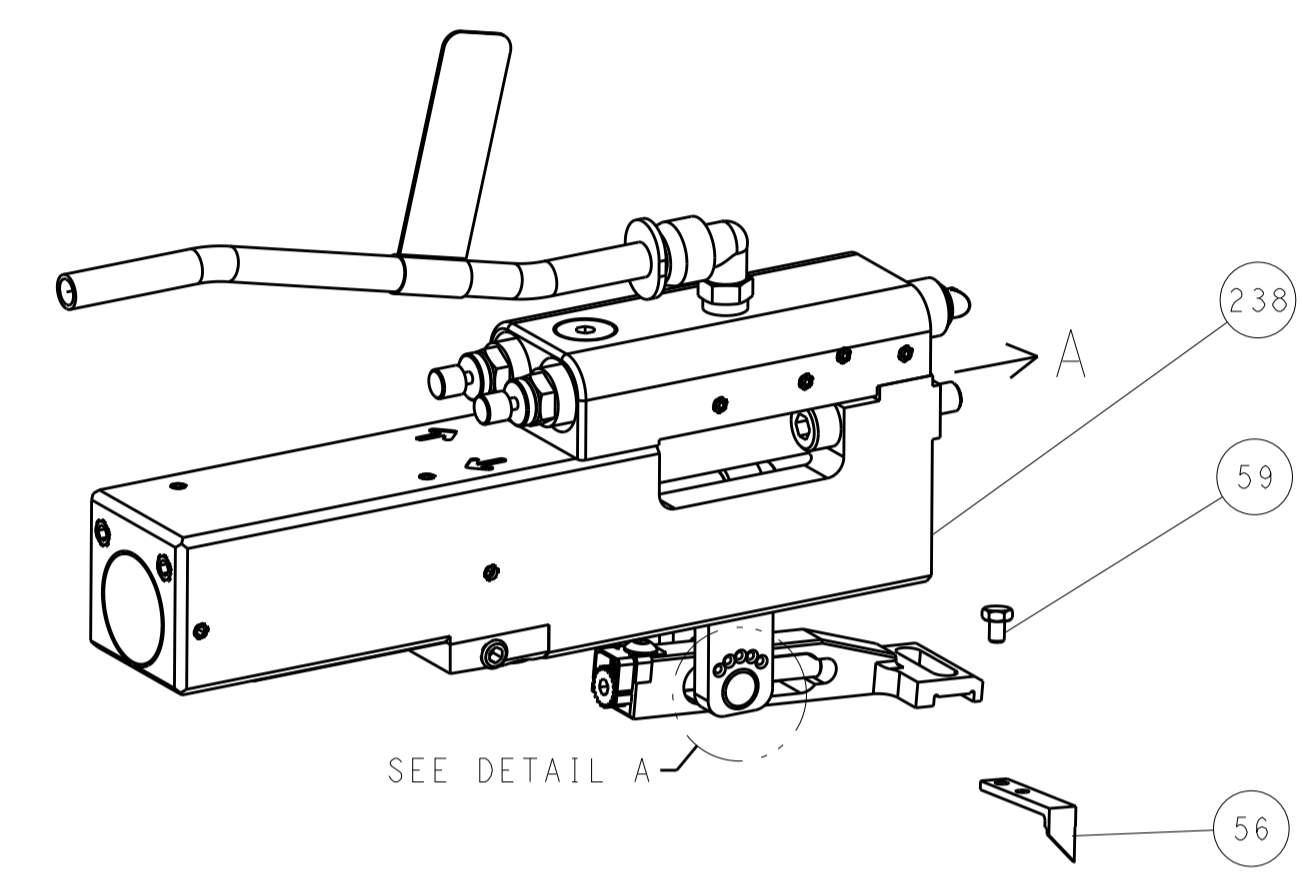
NAME	Ocean Side Feed Applicator	
SIZE	CAGE CODE	DRAWING NO
A1	00779	2266590
Customer Accessible Production Drawing		SCALE 1:2 SHEET 3 OF 4 REV D

LOC	DIST	REVISIONS					
A	66	P	LTN	DESCRIPTION	DATE	DWN	APVD
		-		SEE SHEET 1			

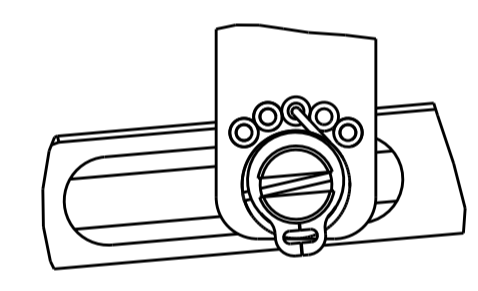
# FEED TYPE MECHANICAL



## PNEUMATIC

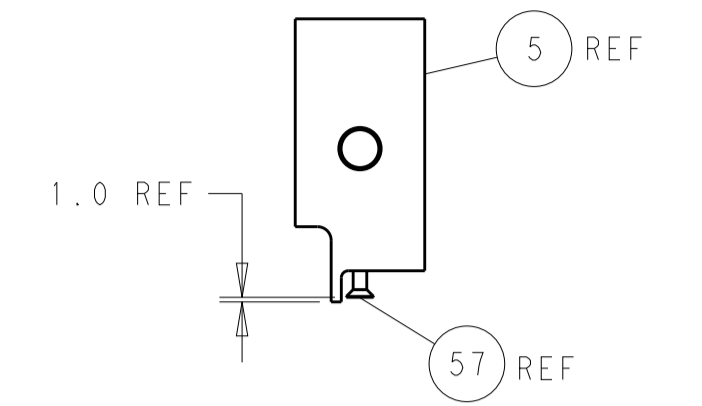
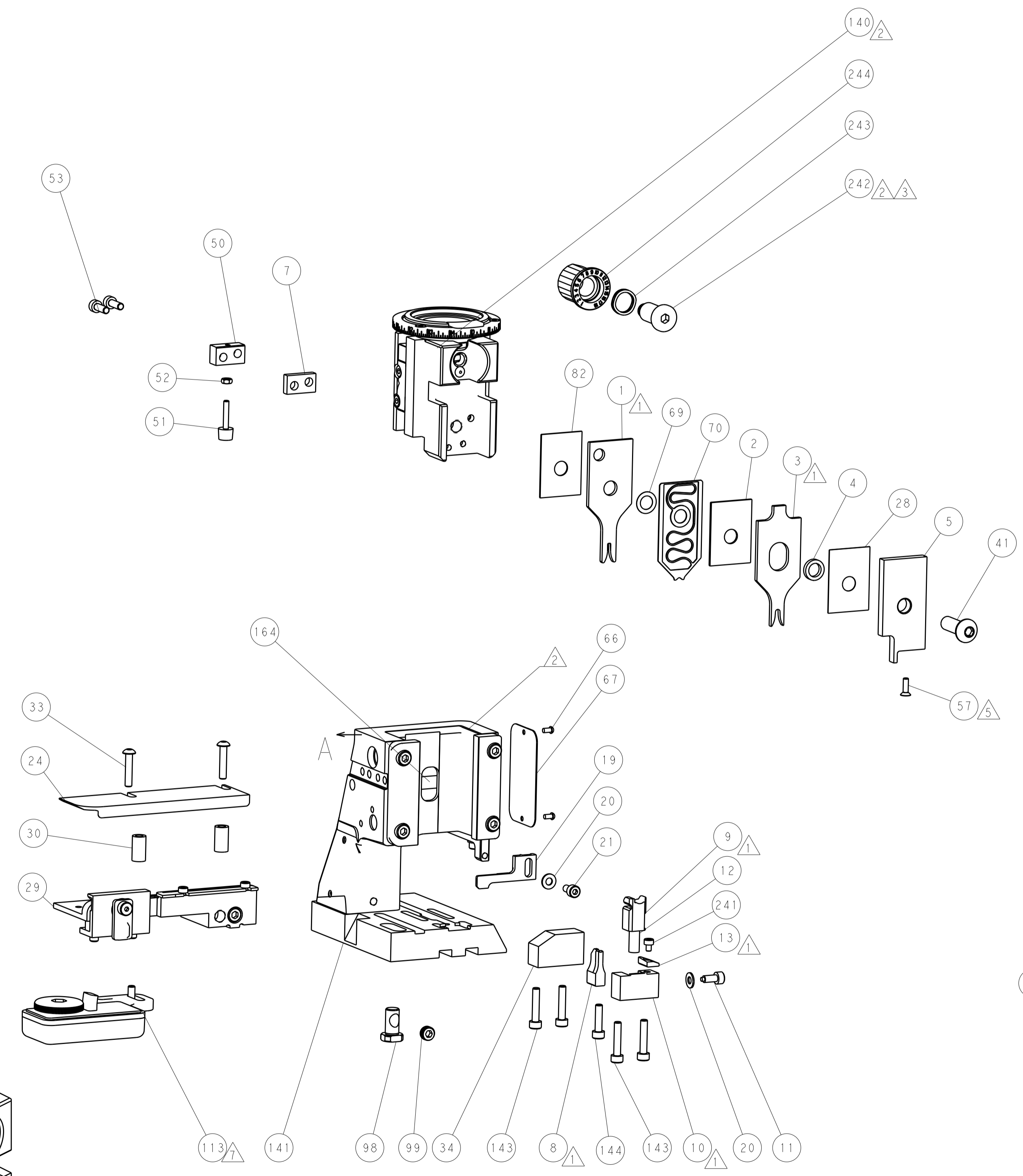
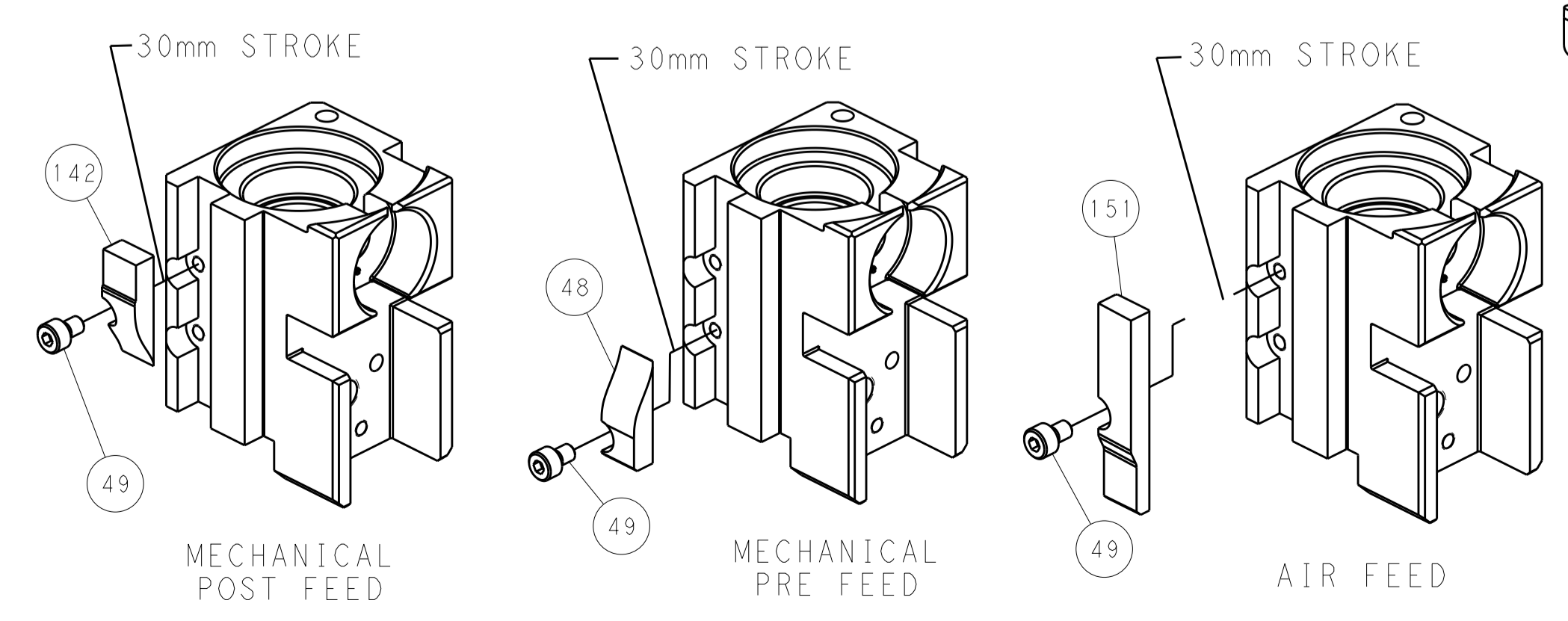


### FEED SPRING SETTING POSITION (SHOWN FROM REAR SIDE)

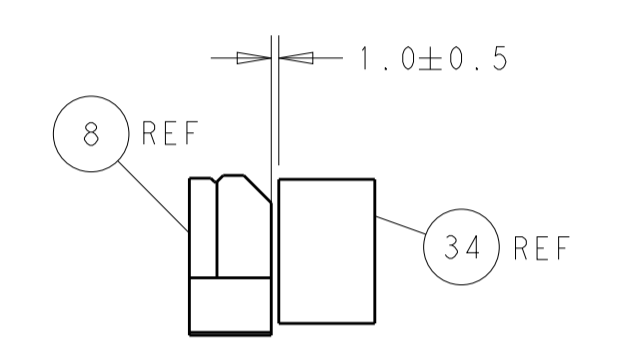


DETAIL A

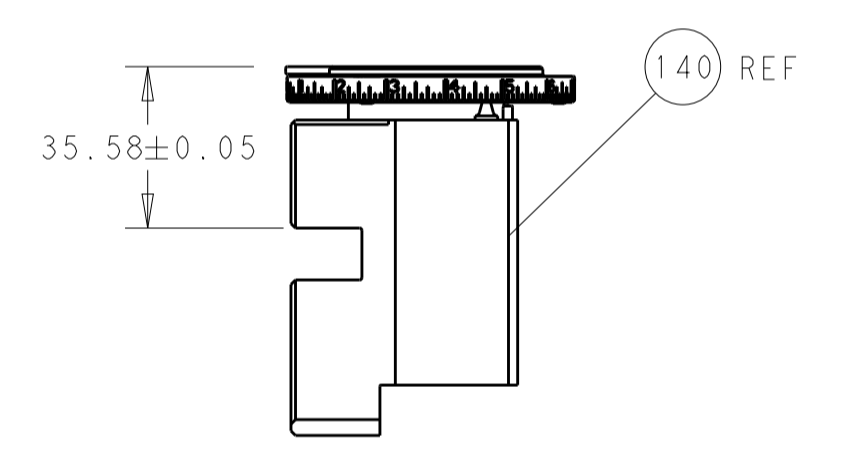
# CAM POSITIONS



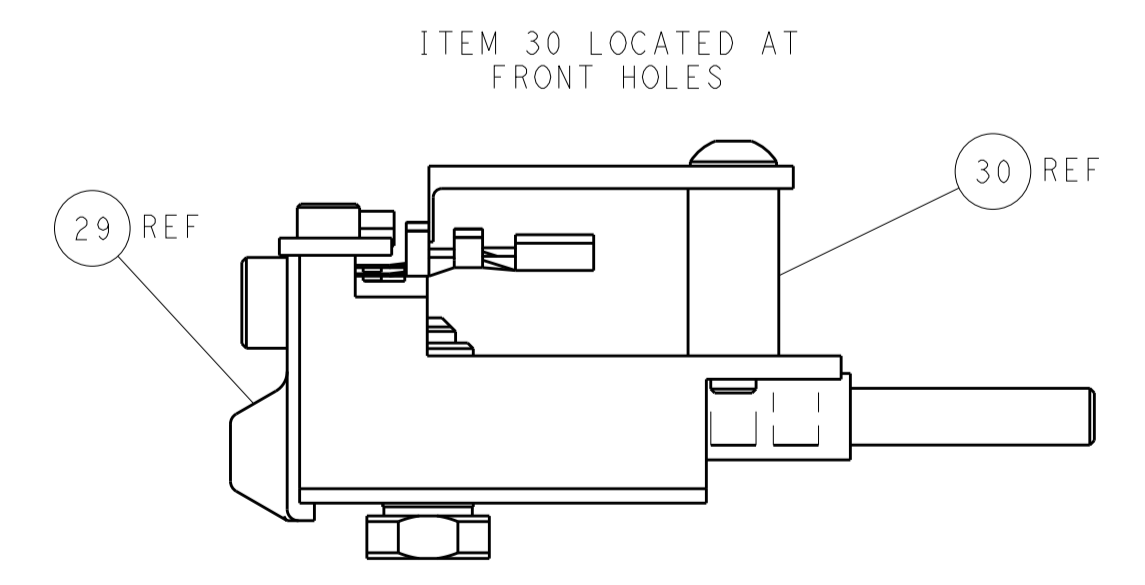
SHEAR DEPRESSOR DETAIL



TERMINAL SUPPORT LOCATION



RAM SET-UP



FEED TRACK POSITION GUIDE BY INSULATION BARREL

**PACIFIC VERSION**  
 Shown on sheets 3 of 4 & 4 of 4  
 (Atlantic version shown on sheets 1 of 4 & 2 of 4)

<small>THIS DRAWING IS UNPUBLISHED. RELEASED FOR PUBLICATION. IT IS THE PROPERTY OF TYCO ELECTRONICS CORPORATION. IT IS TO BE USED ONLY FOR THE PURPOSES AND IN THE ORGANIZATION FOR WHICH IT WAS PREPARED. IT IS NOT TO BE REPRODUCED OR TRANSMITTED IN ANY FORM OR BY ANY MEANS, ELECTRONIC OR MECHANICAL, INCLUDING PHOTOCOPYING, RECORDING, OR BY ANY INFORMATION STORAGE AND RETRIEVAL SYSTEM, WITHOUT THE WRITTEN PERMISSION OF TYCO ELECTRONICS CORPORATION.</small>		DWN: Y. YIN 12OCT2013 CHK: G. BAILEY 12OCT2013 APVD: H. GUO 12OCT2013	TE Connectivity Harrisburg, PA 17105-3608
DIMENSIONS: mm TOLERANCES UNLESS OTHERWISE SPECIFIED: 0 PLC ± 1 PLC ± 2 PLC ± 3 PLC ± 4 PLC ± ANGLES ± MATERIAL: - FINISH: -		PRODUCT SPEC: - APPLICATION SPEC: - WEIGHT: - SCALE: 1:2	NAME: Ocean Side Feed Applicator SIZE: - CAGE CODE: - DRAWING NO: 00779 ©=2266590 RESTRICTED TO: - SHEET 4 OF 4 REV D