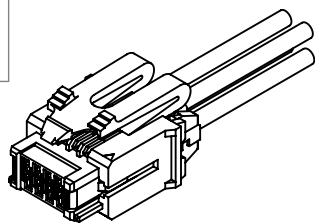


DO NOT SCALE FROM THIS PRINT



DESIGNED AND DIMENSIONED IN MILLIMETERS[INCHES]
EXCEPT WHERE NOTED, ALL DIMENSIONS ARE REFERENCE

FEP CABLE OPTION
-T: FEP INSULATION (ONLY AVAILABLE WITH -M LATCHING)
(LEAVE BLANK FOR STANDARD PVC INSULATION)

No OF POSITIONS
-02, -03, -04, -05,
-06, -07, -08, -09,
-10

PLATING SPECIFICATION
-T: BRIGHT ACID TIN (BAT)
-L: 10µ" SELECTIVE GOLD IN CONTACT AREA, BRIGHT ACID TIN (BAT) ON THE TAIL.
-S: 30µ" SELECTIVE GOLD IN CONTACT AREA, BRIGHT ACID TIN (BAT) ON THE TAIL.

WIRE GAUGE
-16: 16 AWG
(UMPC USES 16 AWG 300 VOLT PVC)
**(UMPCT USES 16 AWG 600 VOLT FEP)
-18: 18 AWG
(UMPC USES 18 AWG 300 VOLT PVC)
**(UMPCT USES 18 AWG 300 VOLT FEP)

COLOR CODE
C: COLOR CODE WIRE
(SEE COLOR SEQUENCE TABLE, SHEET 3)
(LEAVE BLANK FOR STANDARD WIRE)
NOT AVAILABLE WITH UMPCT

LATCH OPTIONS
(LATCHING REQUIRED, MUST CHOOSE -P OR -M)
-P: PLASTIC TOP LATCH
-M: METAL SIDE LATCHES

ASSEMBLY LENGTH

SPECIFY IN INCHES
SINGLE ENDED: 03.0 INCHES MINIMUM
DOUBLE ENDED 2-4 POSITIONS : 04.0 INCHES MINIMUM
DOUBLE ENDED 5-10 POSITIONS : 05.0 INCHES MINIMUM
DOUBLE ENDED, FEP CABLE, 2-4 POSITIONS: 09.0 INCH MINIMUM
DOUBLE ENDED, FEP CABLE, 5-10 POSITIONS: 10.0 INCH MINIMUM

PINOUT
(LEAVE BLANK FOR SINGLE ENDED ASSEMBLY)
-1: PIN 01 TO 01
-2: PIN 01 TO N

TABLE 1	
No. OF POS	"A"
-02	12.85 [.506]
-03	14.85 [.585]
-04	16.85 [.663]
-05	18.85 [.742]
-06	20.85 [.821]
-07	22.85 [.900]
-08	24.85 [.978]
-09	26.85 [1.057]
-10	28.85 [1.136]

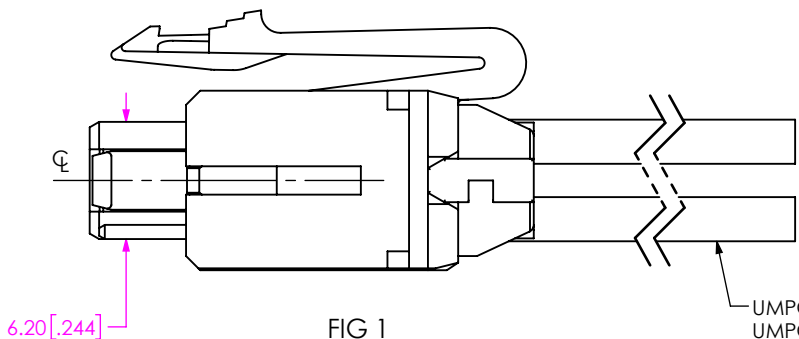
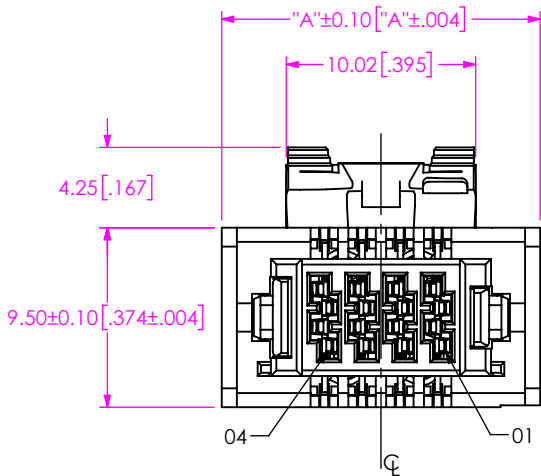
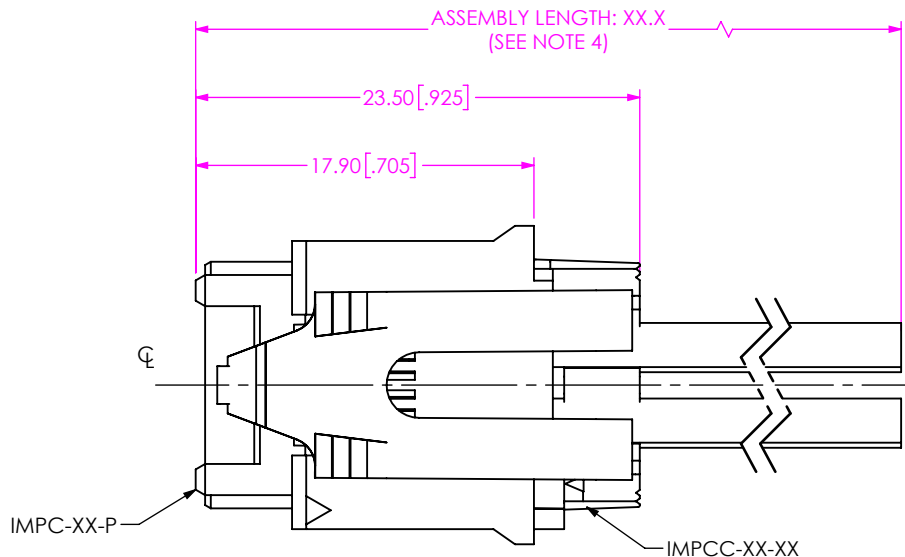


FIG 1
UMPCX-04-X-XXX-P-XX.X SHOWN

NOTES:

- CONTACT MUST BE INSERTED UNTIL RETENTION FEATURE LOCKS INTO PLACE.
- ALL ASSEMBLIES TO BE 100% ELECTRICALLY TESTED FOR SHORTS AND OPENS.
- ALL FINISHED GOODS ARE TO BE ELECTRICAL TESTED INCLUDING HI-POT TEST @ 1000 VOLTS DC. AFTER FINAL ELECTRICAL TEST, LABEL EACH ASSEMBLY WITH (1) ET STAMP ON THE BODY.
- FOR LENGTHS LESS THAN 12 IN, TOLERANCE SHALL BE ±.125. FOR OTHER LENGTHS, TOLERANCES SHALL BE ±2%.
- CUT LENGTH IS ASSEMBLY LENGTH MINUS OVERALL LENGTH SUBTRACTOR.
- PARTS TO BE INDIVIDUALLY PACKAGED IN A ASBBLTXXXXX BUBBLE BAG.
- NOTE DELETED

<p>PROPRIETARY NOTE</p> <p>THIS DOCUMENT CONTAINS CONFIDENTIAL AND PROPRIETARY INFORMATION AND ALL DESIGN, MANUFACTURING, REPRODUCTION, USE, PATENT RIGHTS AND SALES RIGHTS ARE EXPRESSLY RESERVED BY SAMTEC, INC. THIS DOCUMENT SHALL NOT BE DISCLOSED, IN WHOLE OR PART, TO ANY UNAUTHORIZED PERSON OR ENTITY NOR REPRODUCED, TRANSFERRED OR INCORPORATED IN ANY OTHER PROJECT IN ANY MANNER WITHOUT THE EXPRESS WRITTEN CONSENT OF SAMTEC, INC.</p>		<p>520 PARK EAST BLVD, NEW ALBANY, IN 47150 PHONE: 812-944-6733 FAX: 812-948-5047 e-Mail info@SAMTEC.com code 55322</p>	
<p>DO NOT SCALE DRAWING SHEET SCALE: 1:2</p>		<p>DESCRIPTION: 2MM ULTRA MICRO POWER CABLE</p>	
<p>MATERIAL: INSULATOR: LCP CONTACT: COPPER ALLOY HOLDER: NYLON CAP: POLYPROPYLENE</p>		<p>DWG. NO. UMPCX-XX-X-XXX-X-XX.X-X</p>	
<p>F:\DWG\MISC\MKTG\UMPCX-XX-X-XXX-X-XX.X-X-MKT.SLDDRW</p>		<p>BY: ETHAN C 07/17/2019 SHEET 1 OF 5</p>	

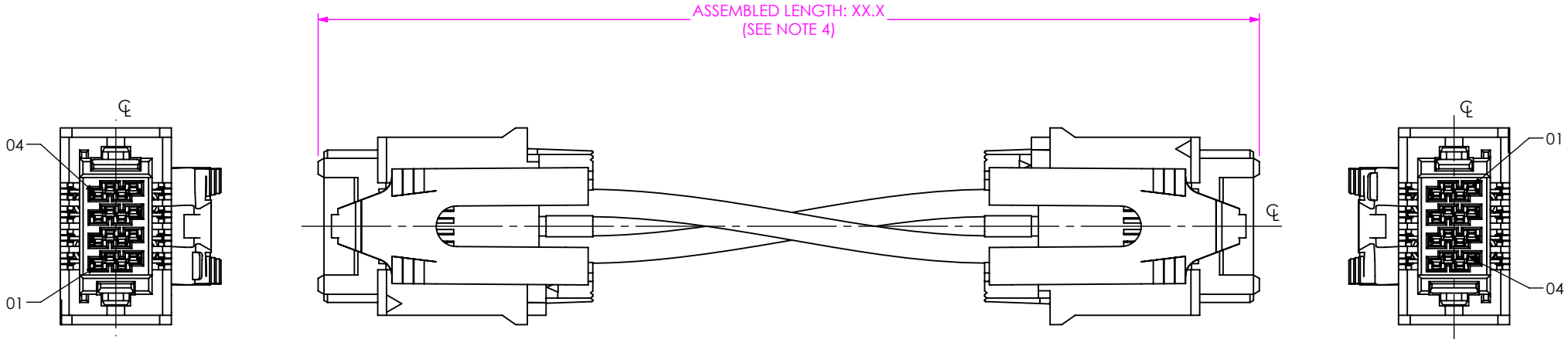


FIG 2
UMPCX-04-X-XXX-P-XX.X-1 SHOWN
(DIFFERENT AS SHOWN, OTHERWISE SAME AS FIG 1)

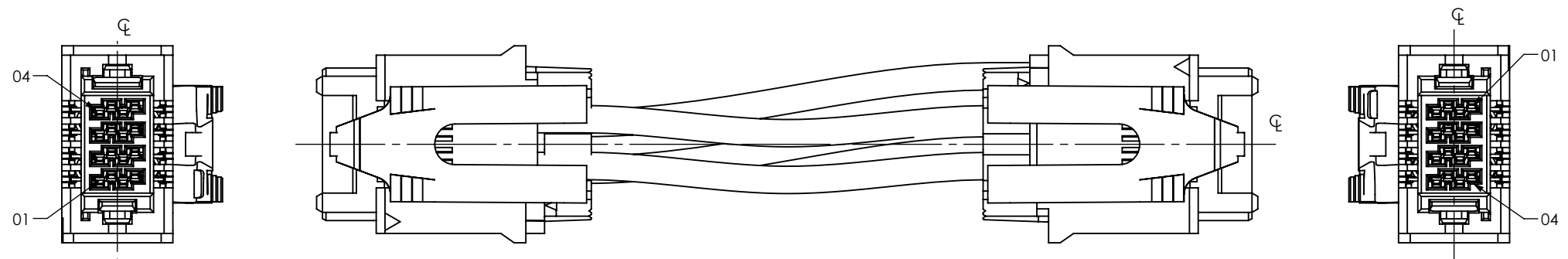


FIG 3
UMPCX-04-X-XXX-P-XX.X-2 SHOWN
(DIFFERENT AS SHOWN, OTHERWISE SAME AS FIG 1 & FIG 2)

PROPRIETARY NOTE
THIS DOCUMENT CONTAINS CONFIDENTIAL AND PROPRIETARY INFORMATION AND ALL DESIGN, MANUFACTURING, REPRODUCTION, USE, PATENT RIGHTS AND SALES RIGHTS ARE EXPRESSLY RESERVED BY SAMTEC, INC. THIS DOCUMENT SHALL NOT BE DISCLOSED, IN WHOLE OR PART, TO ANY UNAUTHORIZED PERSON OR ENTITY NOR REPRODUCED, TRANSFERRED OR INCORPORATED IN ANY OTHER PROJECT IN ANY MANNER WITHOUT THE EXPRESS WRITTEN CONSENT OF SAMTEC, INC.



520 PARK EAST BLVD, NEW ALBANY, IN 47150
PHONE: 812-944-6733 FAX: 812-948-5047
e-Mail info@SAMTEC.com code 55322

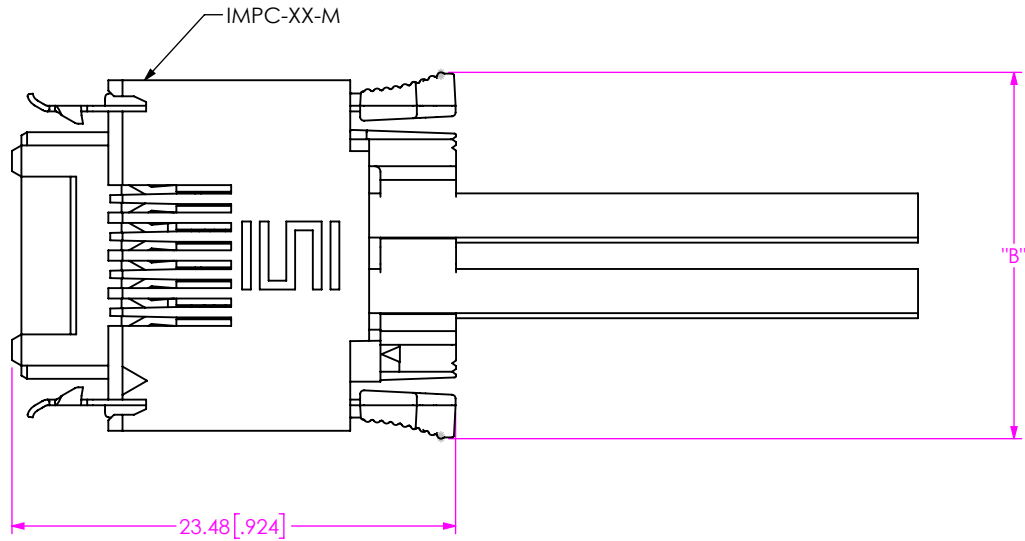
DO NOT SCALE DRAWING

SHEET SCALE: 1:1

DESCRIPTION:
2MM ULTRA MICRO POWER CABLE

DWG. NO.
UMPCX-XX-X-XXX-X-XX.X-X

BY: ETHAN C 07/17/2019 SHEET 2 OF 5



No. OF POS	"B"
-02	15.38 [.606]
-03	17.38 [.684]
-04	19.38 [.763]
-05	21.38 [.842]
-06	23.38 [.920]
-07	25.38 [.999]
-08	27.38 [1.078]
-09	29.38 [1.157]
-10	31.38 [1.235]

FIG 5
UMPC-04-X-XXX-M-XX.X SHOWN
(DIFFERENT AS SHOWN, OTHERWISE SAME AS FIG 1)

UMPC COLOR CODED WIRE SEQUENCE										
PIN#	COLOR									
	BROWN	RED	ORANGE	YELLOW	GREEN	BLUE	VIOLET	GRAY	WHITE	BLACK
	1	2	3	4	5	6	7	8	9	10

PROPRIETARY NOTE
THIS DOCUMENT CONTAINS CONFIDENTIAL AND PROPRIETARY INFORMATION AND ALL DESIGN, MANUFACTURING, REPRODUCTION, USE, PATENT RIGHTS AND SALES RIGHTS ARE EXPRESSLY RESERVED BY SAMTEC, INC. THIS DOCUMENT SHALL NOT BE DISCLOSED, IN WHOLE OR PART, TO ANY UNAUTHORIZED PERSON OR ENTITY NOR REPRODUCED, TRANSFERRED OR INCORPORATED IN ANY OTHER PROJECT IN ANY MANNER WITHOUT THE EXPRESS WRITTEN CONSENT OF SAMTEC, INC.

samtec
520 PARK EAST BLVD, NEW ALBANY, IN 47150
PHONE: 812-944-6733 FAX: 812-948-5047
e-Mail info@SAMTEC.com code 55322

DO NOT SCALE DRAWING

SHEET SCALE: 1:1

DESCRIPTION:
2MM ULTRA MICRO POWER CABLE

DWG. NO.
UMPCX-XX-X-XXX-X-XX.X-X

BY: ETHAN C 07/17/2019 SHEET 3 OF 5

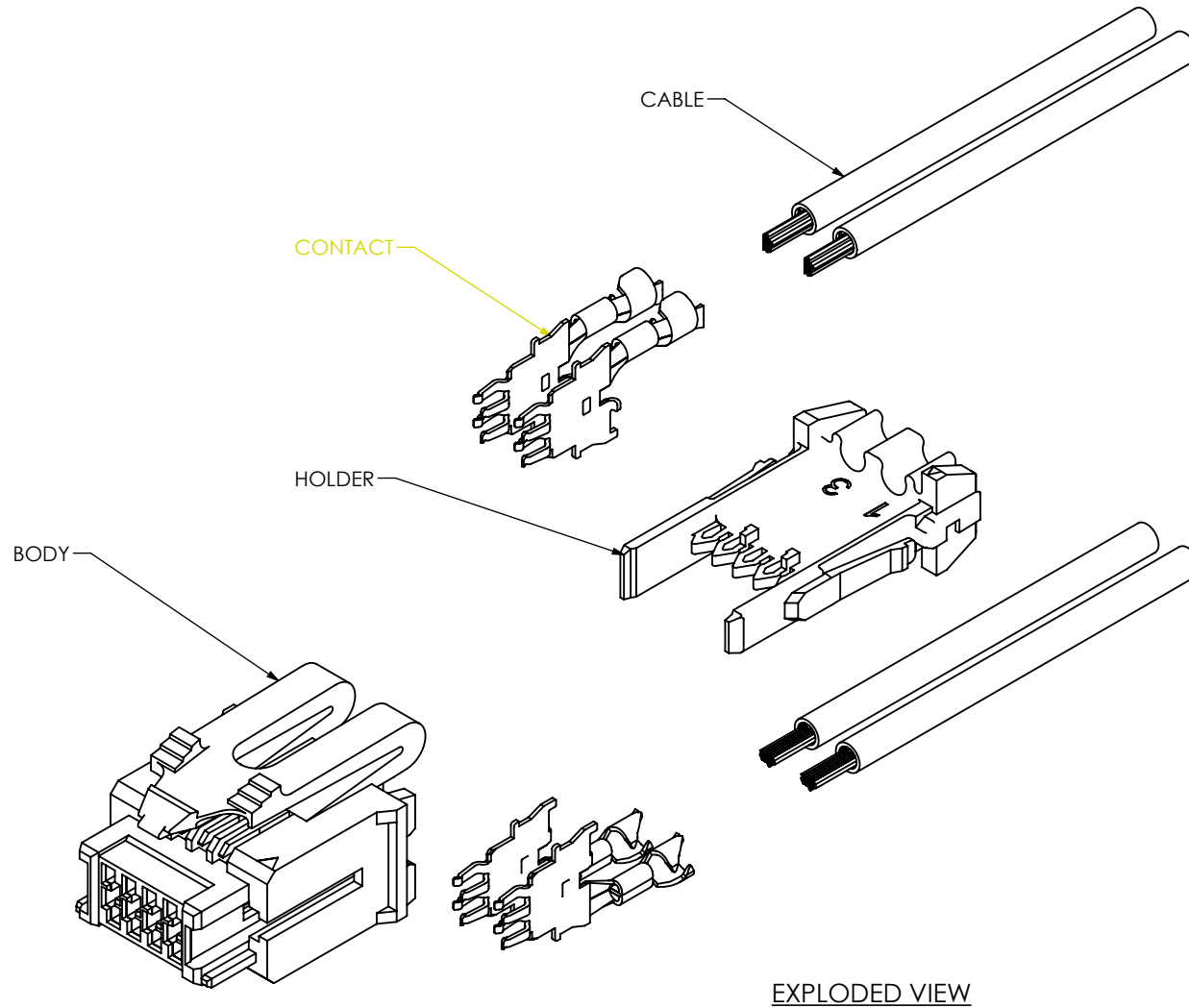


TABLE 3

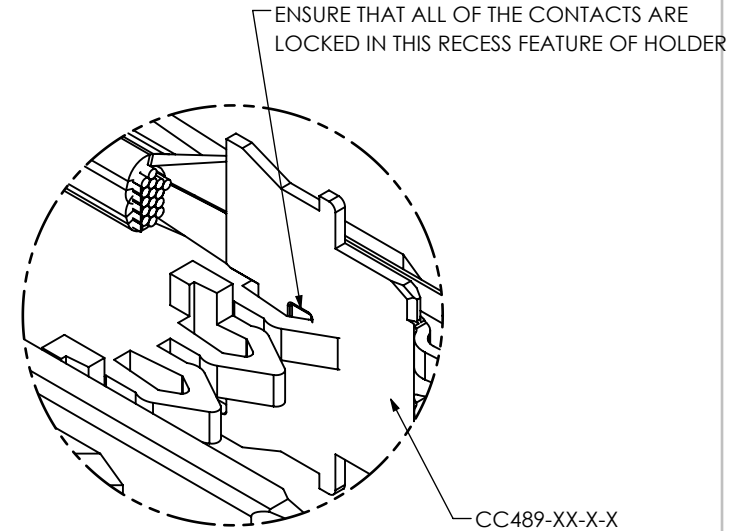
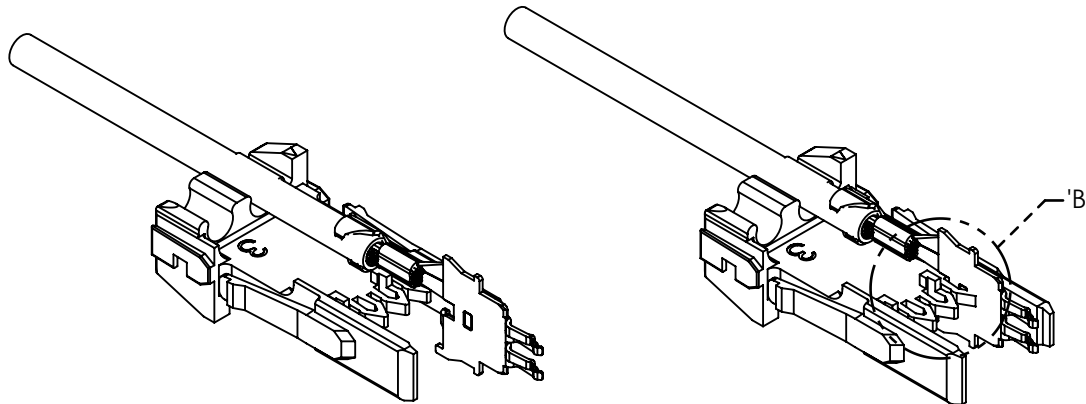
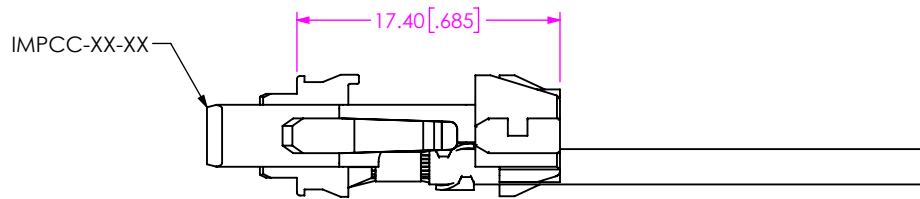
SERIES	WIRE GAUGE	VOLTAGE	BODY	HOLDER	CONTACT	CABLE
UMPC	16 AWG	300V	PLASTIC LATCH: IMPC-XX-P	IMPCC-XX-01	CC489-01-X-X	DWC-16-XX-300
	18 AWG			IMPCC-XX-02		DWC-18-XX-300
UMPCT	16 AWG	600V	METAL LATCHES: IMPC-XX-M	IMPCC-XX-01	CC489-02-X-X	DWCT-16-01-600
	18 AWG	300V		IMPCC-XX-03		DWCT-18-01

PROPRIETARY NOTE
 THIS DOCUMENT CONTAINS CONFIDENTIAL AND PROPRIETARY INFORMATION AND ALL DESIGN, MANUFACTURING, REPRODUCTION, USE, PATENT RIGHTS AND SALES RIGHTS ARE EXPRESSLY RESERVED BY SAMTEC, INC. THIS DOCUMENT SHALL NOT BE DISCLOSED, IN WHOLE OR PART, TO ANY UNAUTHORIZED PERSON OR ENTITY NOR REPRODUCED, TRANSFERRED OR INCORPORATED IN ANY OTHER PROJECT IN ANY MANNER WITHOUT THE EXPRESS WRITTEN CONSENT OF SAMTEC, INC.

samtec
 520 PARK EAST BLVD, NEW ALBANY, IN 47150
 PHONE: 812-944-6733 FAX: 812-948-5047
 e-Mail: info@SAMTEC.com code 55322

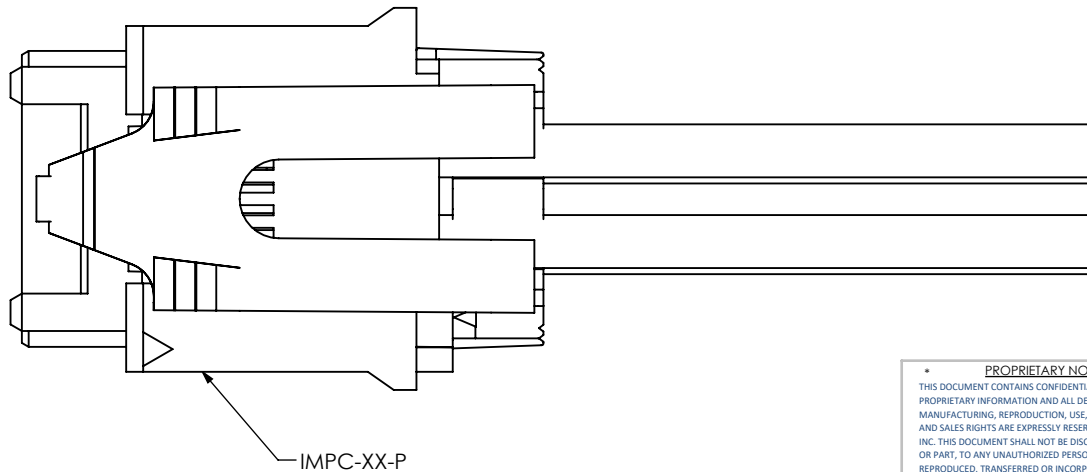
DO NOT SCALE DRAWING
 SHEET SCALE: 1:1

DESCRIPTION:
 2MM ULTRA MICRO POWER CABLE
 DWG. NO.
UMPCX-XX-X-XXX-X-XX.X-X
 BY: ETHAN C 07/17/2019 SHEET 4 OF 5



IN-PROCESS 1
CC489 WITH CABLE AND IMPCX INSTALLATION
(CRIMP SPECIFICATION SEE CC489 PRINT)

DETAIL 'B'
SCALE 6:1



IN-PROCESS 2
IMPCX INSTALLATION

PROPRIETARY NOTE
THIS DOCUMENT CONTAINS CONFIDENTIAL AND PROPRIETARY INFORMATION AND ALL DESIGN, MANUFACTURING, REPRODUCTION, USE, PATENT RIGHTS AND SALES RIGHTS ARE EXPRESSLY RESERVED BY SAMTEC, INC. THIS DOCUMENT SHALL NOT BE DISCLOSED, IN WHOLE OR PART, TO ANY UNAUTHORIZED PERSON OR ENTITY NOR REPRODUCED, TRANSFERRED OR INCORPORATED IN ANY OTHER PROJECT IN ANY MANNER WITHOUT THE EXPRESS WRITTEN CONSENT OF SAMTEC, INC.



520 PARK EAST BLVD, NEW ALBANY, IN 47150
PHONE: 812-944-6733 FAX: 812-948-5047
e-Mail info@SAMTEC.com code 55322

DO NOT SCALE DRAWING

SHEET SCALE: 1:2

DESCRIPTION:
2MM ULTRA MICRO POWER CABLE

DWG. NO.
UMPCX-XX-X-XXX-X-XX.X-X

BY: ETHAN C 07/17/2019 SHEET 5 OF 5