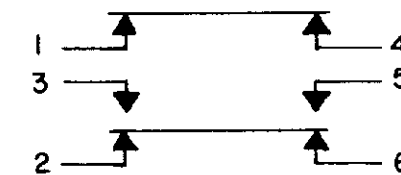
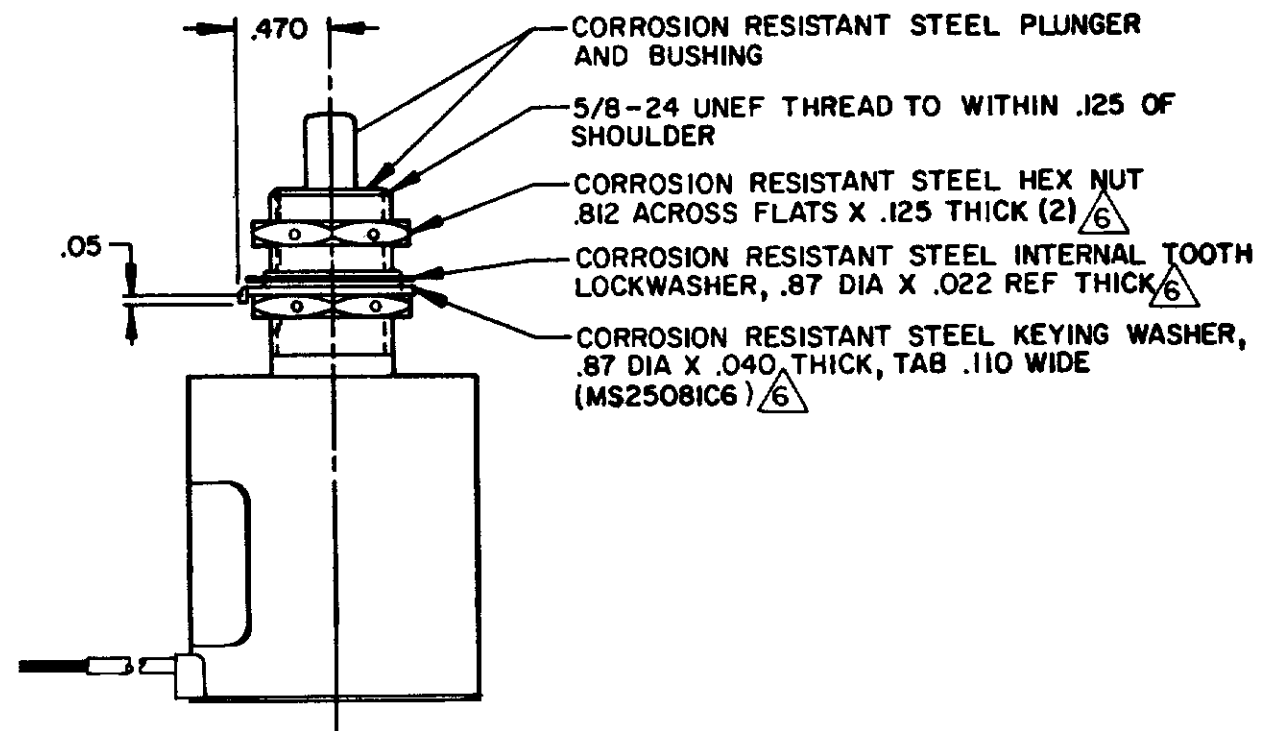
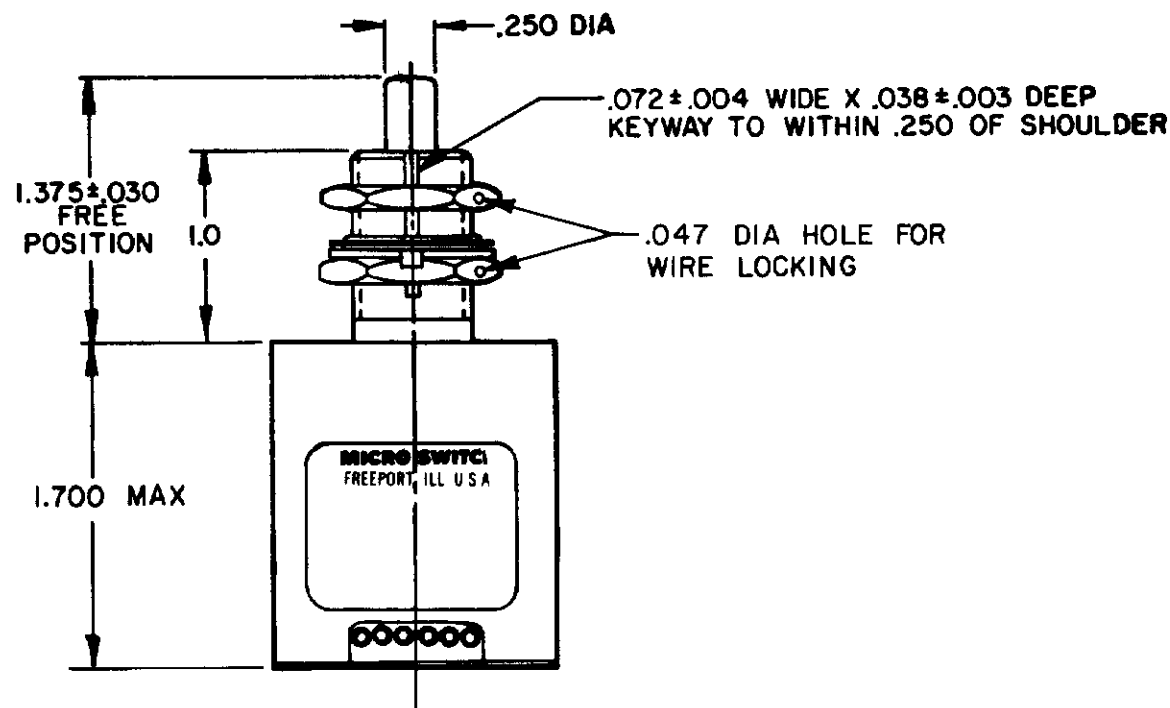
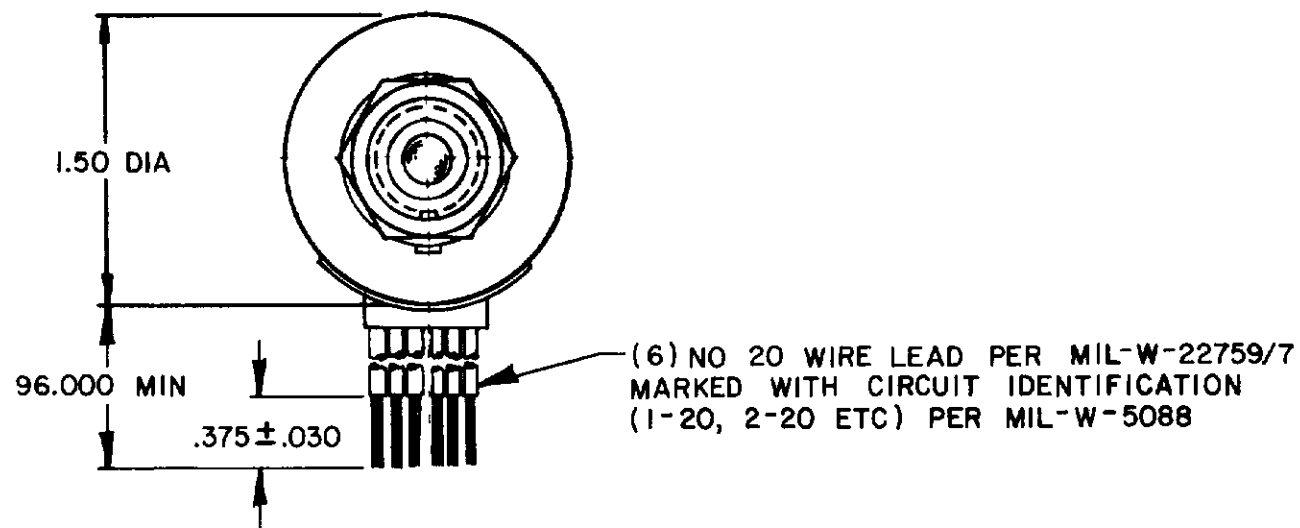


**MICRO SWITCH**  
 FREEPORT ILLINOIS U.S.A.  
 A DIVISION OF HONEYWELL  
 FED MFG CODE 91989

**SWITCH - ENCLOSED**

CATALOG LISTING  
**104EN31-8**



**CIRCUIT DIAGRAM**

M 104EN31-8

DRAWING NUMBER

ISSUE

20

21

22

23

REVISIONS

A

C0443501

WJM

4 FEB 90

B

C047573

JAP

7 AUG 90

C

C051246C

CJH

23 SEP 82

D

C068422

MAM

6 SEP 90

E

C073927

JAR

2 DEC 92

CHECK

C E B

5 FEB 80

DRAWN

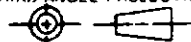
WJM

4 FEB 80

FO-32851-A

THIS DRAWING COVERS A PROPRIETARY ITEM AND IS THE PROPERTY OF MICRO SWITCH, A DIVISION OF HONEYWELL. THIS DRAWING IS NOT TO BE COPIED OR USED WITHOUT THE APPROVAL OF MICRO SWITCH

THIRD ANGLE PROJECTION



SCALE FULL

DO NOT SCALE PRINT

TOLERANCES

APPLY TO DESIGN UNITS CONVERSIONS ARE ONLY FOR REFERENCE UNLESS NOTED TOLERANCES ARE 2

	DIM	TOL	DIM	TOL
	mm	mm/in	in	mm/in
NO PLACES	±	1/100	±	0.01/0.25
ONE PLACE	±	0.4/0.10	±	0.04/0.10
TWO PLACES	±	0.1/0.025	±	0.01/0.025
THREE PLACES	±	0.025/0.006	±	0.0025/0.006
ANGLES				

DESIGN UNITS  SI METRIC  US CUSTOMARY

RAW MATERIAL - COMMERCIAL STANDARD

MICRO SWITCH STANDARDS APPLY

DIMENSIONS ARE TO BE MET BEFORE PROTECTIVE COATINGS ARE APPLIED

WEIGHT 13.0 OZ MAX

CHARACTERISTICS	
OPERATING FORCE	6-12 LB
FULL OVERTRAVEL FORCE	30 LB MAX
RELEASE FORCE	5 LB MIN
PRETRAVEL	.070 MAX
DIFFERENTIAL TRAVEL	.045 MAX
OVERTRAVEL	.250 MIN

ELECTRICAL DATA		
CONTACT ARRANGEMENT		
SEE CIRCUIT DIAGRAM		
28 VDC		
LOAD	SEA LEVEL	50,000 FT.
RES	15	15
IND	10	10
MOTOR	5	
LAMP		

**NOTES**

- 1 - CORROSION RESISTANT STEEL ENCLOSURE
  - 2 - SWITCH SEALED PER MIL-S-8805 SYMBOL 4
  - 3 - CIRCUIT IDENTIFICATION, CATALOG LISTING, AND DATE CODE ARE SHOWN ON NAMEPLATE
  - 4 - COINCIDENCE OF OPERATING AND RELEASING POINTS: .010 OF PLUNGER TRAVEL
  - 5 - NOTED ELECTRICAL RATINGS APPLY AS SPECIFIED IN MIL-S-8805/40-4 UP TO 185°F
- 6 - HARDWARE MAY BE PACKAGED UNASSEMBLED PER MIL-S-8805