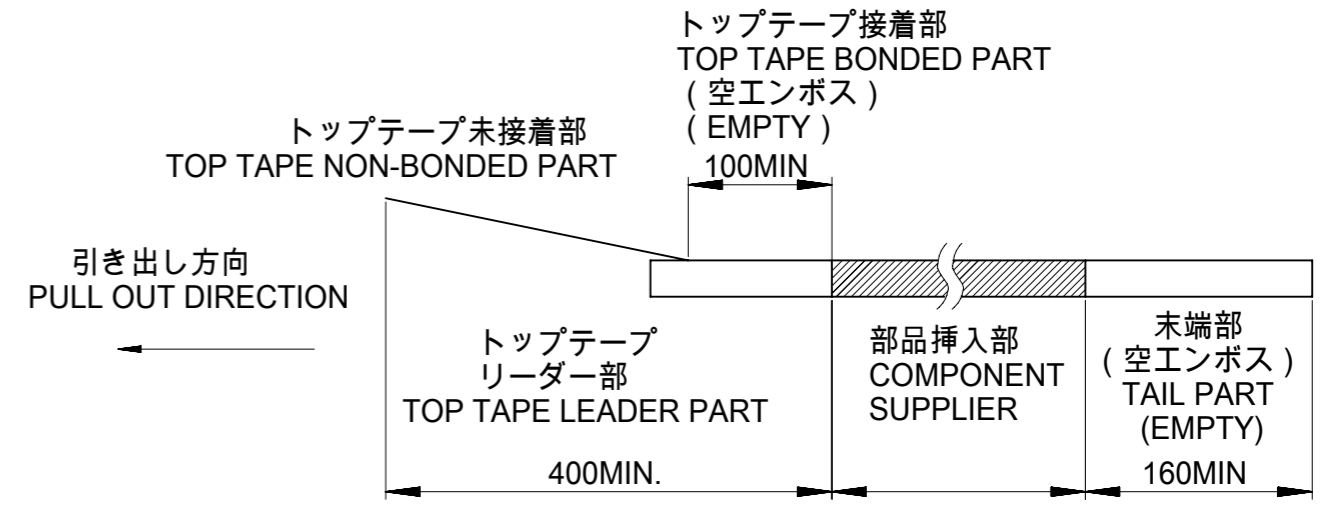


注記 NOTES

- 1. 梱包数量 : 900 個 / リール
NUMBER OF CONNECTORS:900 PCS/REEL
- 2. リードテープ長さ
LEAD TAPE LENGTH

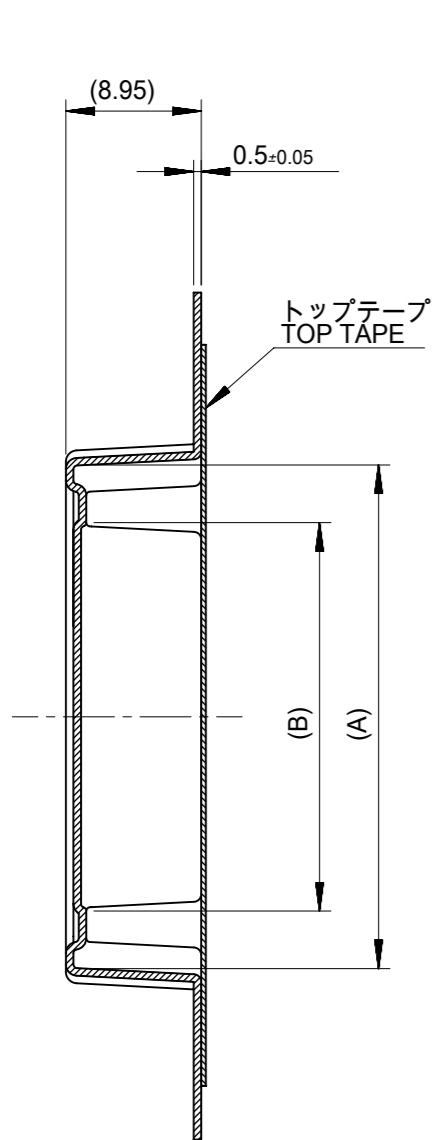


- 3. トップテープの剥離強度については、IEC60286-3に準拠。
TOP TAPE PEEL FORCE IS DEFINED BY IEC60286-3.
- 4. 製品詳細寸法については図面 5017861002 DOC. PART 000を参照下さい。
RE DETAILED DIMENSION, SEE 5017861002 DOC. PART 000.
- 5. 材料(MATERIAL)
キャリアテープ(CARRIER TAPE) : ポリスチレン(POLYSTYRENE)
トップテープ(TOP TAPE) : PET, PE, PE
リール(REEL) : ポリスチレン(POLYSTYRENE)
リサイクル材を含む
RECYCLE MATERIAL CONTAINED

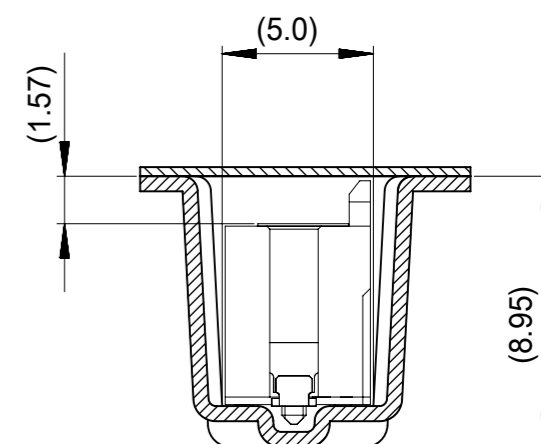
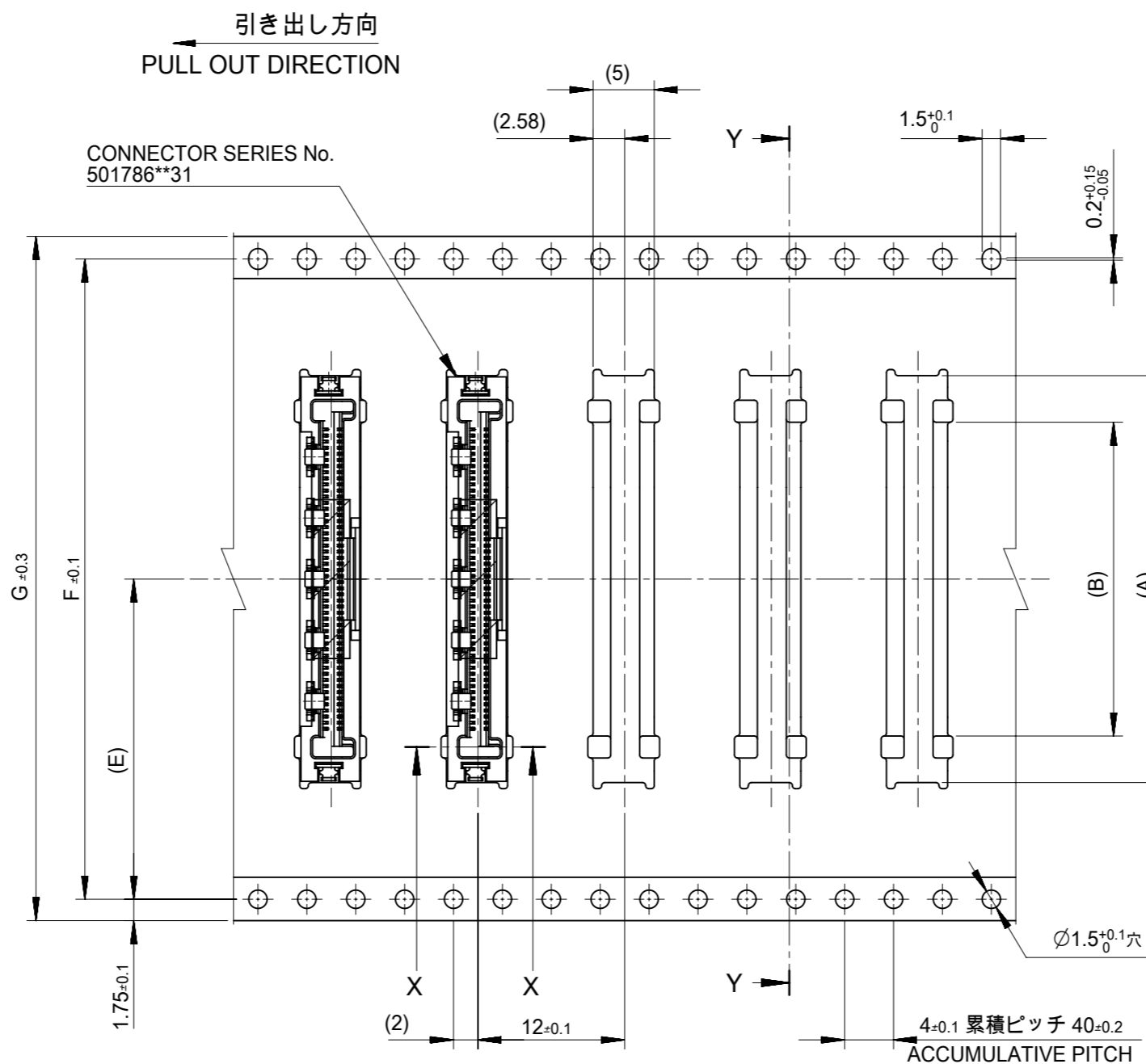
56	56.0	52.4	26.2	61.4	57.4	25.68	33.3	5017865091	50
44	44.0	40.4	20.2	49.4	45.4	20.68	28.3	5017864091	40
						15.68	23.3	5017863091	30
キャリアテープ幅 CARRIER TAPE WIDTH	G	F	E	D	C	B	A	EMBOSSED PACKAGE オーダー番号 ORDER No.	Circuit

THIS DRAWING CONTAINS INFORMATION THAT IS PROPRIETARY TO MOLEX ELECTRONIC TECHNOLOGIES, LLC AND SHOULD NOT BE USED WITHOUT WRITTEN PERMISSION

DIMENSION UNITS mm	SCALE 1:1	CURRENT REV DESC:	molex		
GENERAL TOLERANCES (UNLESS SPECIFIED)		EC NO: 628512	EMBSTP PKG FOR 0.5 FFC TO BOARD ST TYPE		
ANGULAR TOL	± 3.0 °	DRWN: SKITAZAWA 2020/02/04	PRODUCT CUSTOMER DRAWING		
4 PLACES	± 0.2	CHK'D: HSHIMOYAMA 2020/02/04	DOCUMENT NUMBER		
3 PLACES	± 0.2	APPR: SHOSHIKAWA 2020/02/04	DOC TYPE		
2 PLACES	± 0.25	INITIAL REVISION:	DOC PART		
1 PLACE	± 0.3	DRWN: VLM 2016/02/17	REVISION		
0 PLACES	± 0.3	APPR: TKUSUHARA01 2017/04/28	5017860002		
DRAFT WHERE APPLICABLE MUST REMAIN WITHIN DIMENSIONS	THIRD ANGLE PROJECTION	DRAWING	SERIES	MATERIAL NUMBER	CUSTOMER
		A3-SIZE	501786	SEE CHART	GENERAL MARKET



SECT. Y-Y



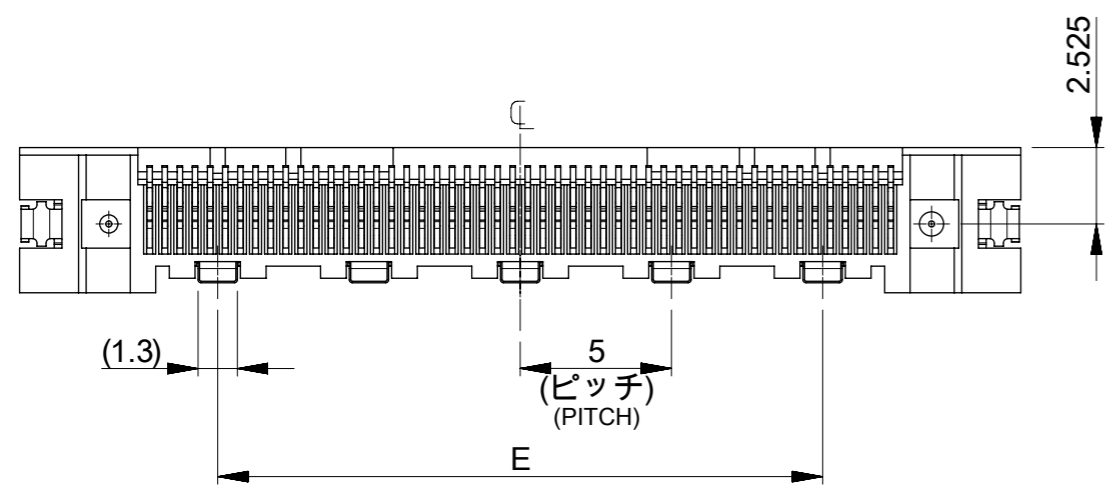
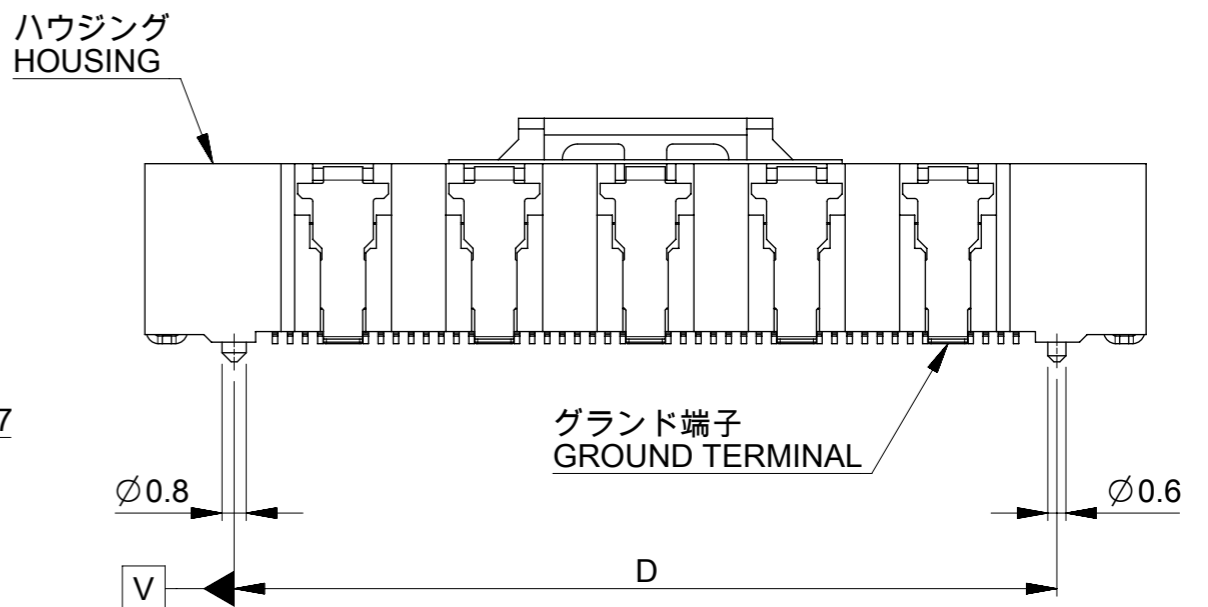
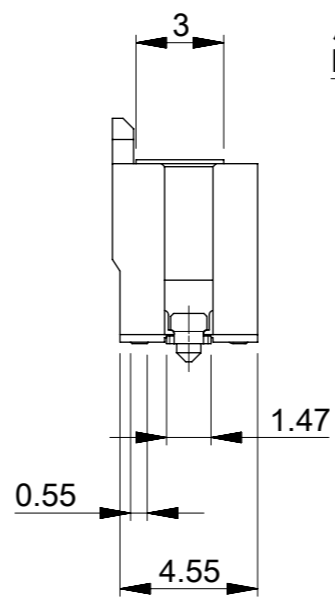
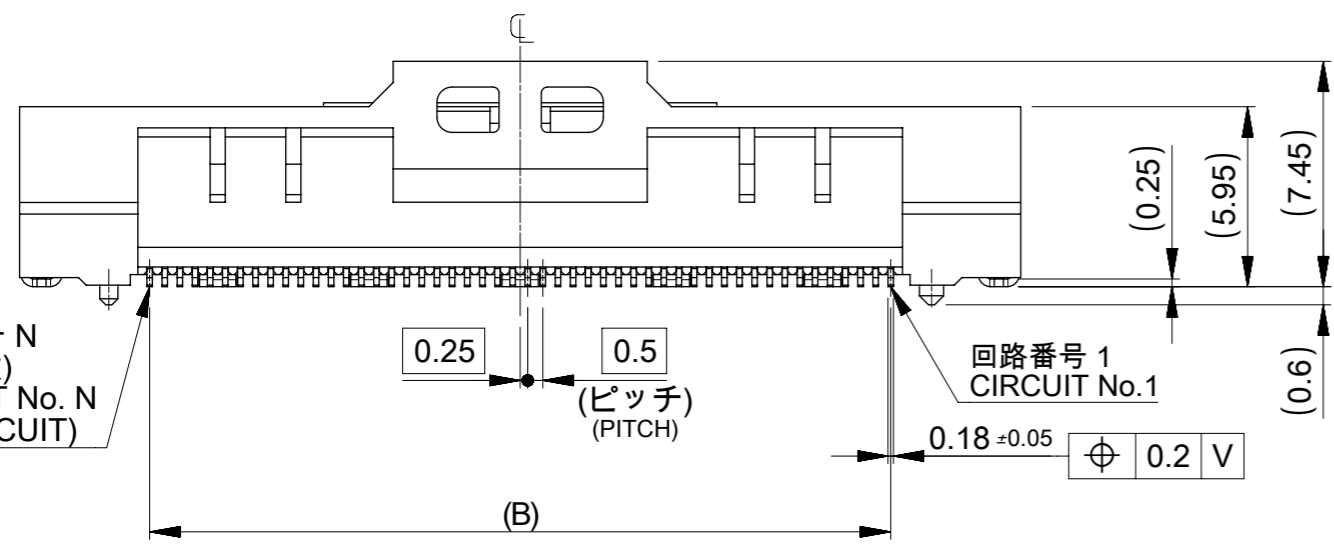
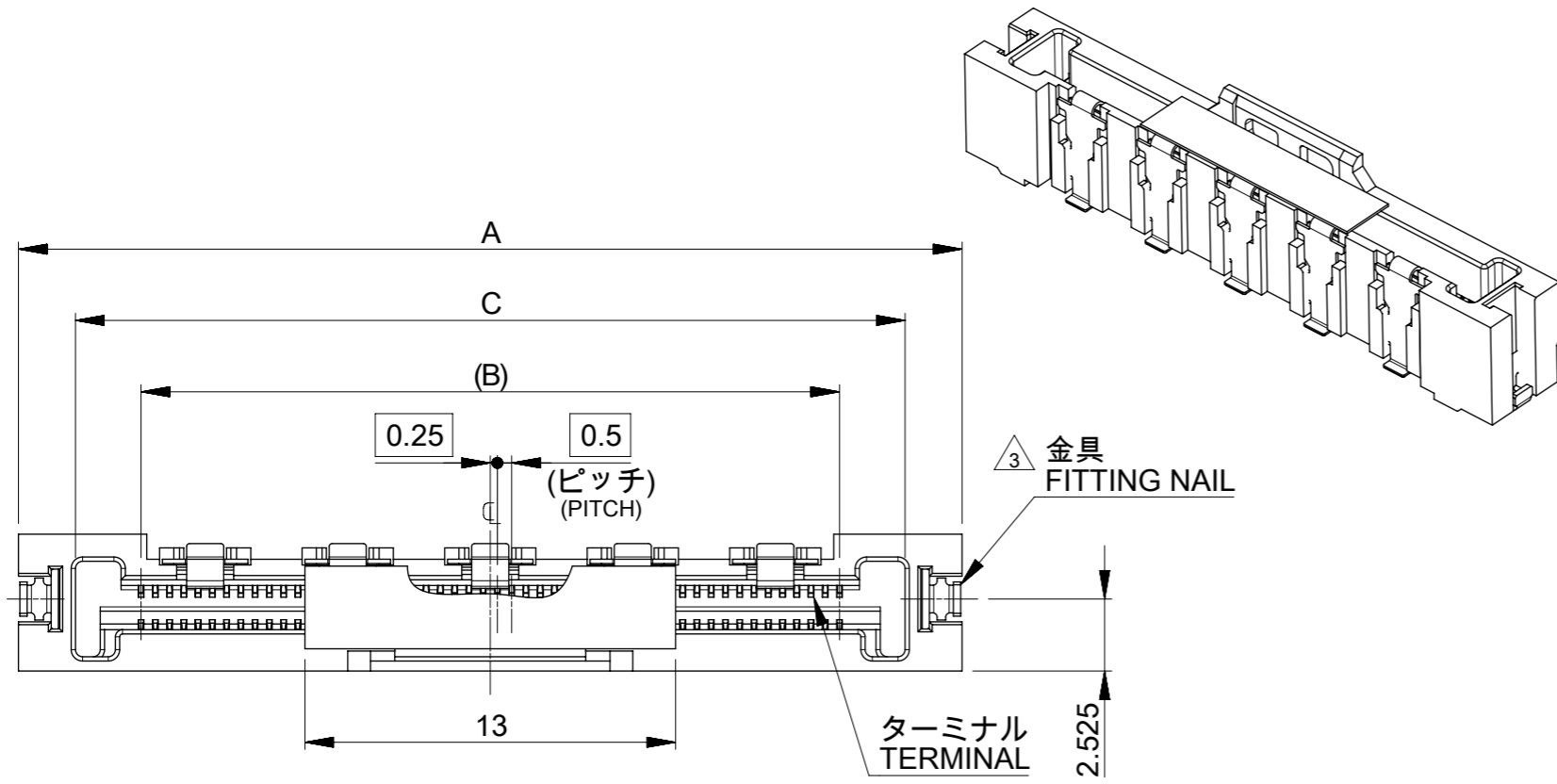
SECT. X-X

THIS DRAWING CONTAINS INFORMATION THAT IS PROPRIETARY TO MOLEX ELECTRONIC TECHNOLOGIES, LLC AND SHOULD NOT BE USED WITHOUT WRITTEN PERMISSION									
DIMENSION UNITS		SCALE		CURRENT REV DESC:					
mm		1:1							
GENERAL TOLERANCES (UNLESS SPECIFIED)				EC NO: 628512				EMBSTP PKG FOR 0.5 FFC TO BOARD ST TYPE	
ANGULAR TOL ± 3.0°				DRWN: SKITAZAWA 2020/02/04					
4 PLACES ± 0.2				CHK'D: HSHIMOYAMA 2020/02/04					
3 PLACES ± 0.2				APPR: SHOSHIKAWA 2020/02/04				PRODUCT CUSTOMER DRAWING	
2 PLACES ± 0.25				INITIAL REVISION:				DOCUMENT NUMBER	
1 PLACE ± 0.3				DRWN: VLM 2016/02/17				5017860002	
0 PLACES ± 0.3				APPR: TKUSUHARA01 2017/04/28				DOC TYPE DOC PART REVISION	
DRAFT WHERE APPLICABLE MUST REMAIN WITHIN DIMENSIONS				THIRD ANGLE PROJECTION		DRAWING		MATERIAL NUMBER	
P1		RELEASE DATE		2020/02/04		13:34:54		CUSTOMER	
A3-SIZE		SERIES		MATERIAL NUMBER		CUSTOMER		SHEET NUMBER	
		501786		SEE CHART		GENERAL MARKET		2 OF 2	

注記 NOTES

1. 使用材料 MATERIAL
 ハウジング：液晶ポリマー(LCP)、ガラス充填、UL94V-0、黒色
 ターミナル：銅合金 (t=0.18)
 補強金具：銅合金 (t=0.25)
 グランド端子：銅合金 (t=0.15)
 HOUSING : LIQUID CRYSTAL POLYMER(LCP), GLASS FILLED, UL94V-0, BLACK
 TERMINAL : COPPER ALLOY (t=0.18)
 FITTING NAIL : COPPER ALLOY (t=0.25)
 GROUND TERMINAL : COPPER ALLOY (t=0.15)
2. めっき仕様 PLATING
 ターミナル
 コンタクト：金めっき(0.1μm以上) 下地：ニッケルめっき(1.0μm以上)
 ソルダテール：金めっき 下地：ニッケルめっき
 補強金具：錫めっき(1.0μm以上) 下地：ニッケルめっき
 グランド端子：錫めっき(1.0μm以上) 下地：ニッケルめっき
 TERMINAL
 CONTACT AREA : GOLD PLATING(0.1μm MAX) UNDERPLATING : NICKEL PLATING(1.0μmMAX)
 SOLDER TAIL AREA : GOLD PLATING UNDERPLATING : NICKEL PLATING
 FITTING NAIL : TIN PLATING(1.0μmMAX) UNDER PLATING : NICKEL PLATING
 GROUND TERMINAL : TIN PLATING(1.0μmMAX) UNDER PLATING : NICKEL PLATING

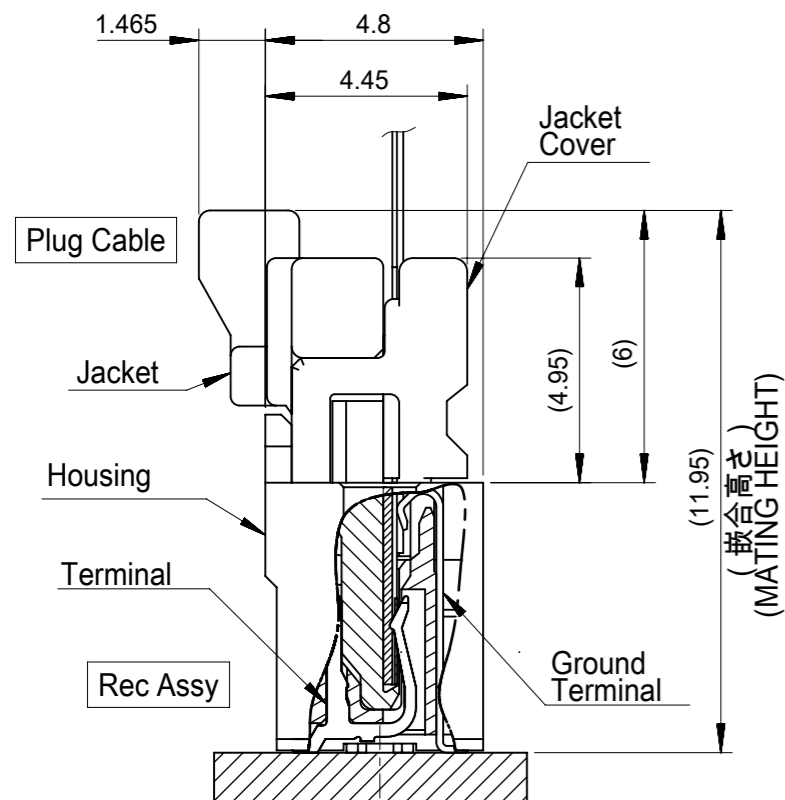
③ パターン剥離止め用補強金具
 FITTING NAIL FOR PREVENTION OF PEELING OF P.C.B. PATTERN.



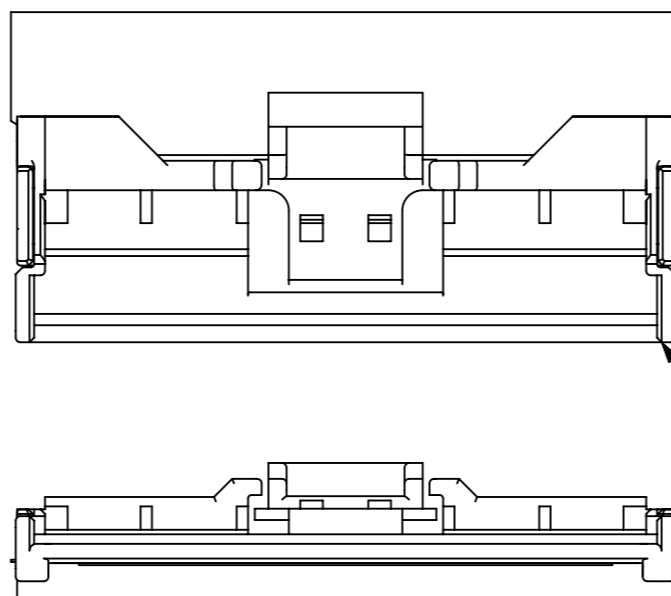
5	20	27.2	29.1	24.5	33.1	5017865091	50
4	15	22.2	24.1	19.5	28.1	5017864091	40
3	10	17.2	19.1	14.5	23.1	5017863091	30
QTY of Ground Terminal	E	D	C	B	A	EMBOSSED PACKAGE	Circuit
						オーダー番号 ORDER No.	

THIS DRAWING CONTAINS INFORMATION THAT IS PROPRIETARY TO MOLEX ELECTRONIC TECHNOLOGIES, LLC AND SHOULD NOT BE USED WITHOUT WRITTEN PERMISSION

DIMENSION UNITS	SCALE	CURRENT REV DESC:		molex			
mm	4:1	EC NO: 628512					
GENERAL TOLERANCES (UNLESS SPECIFIED)				0.5 FFC TO BOARD CONN REC HSG ASSY(ST)			
ANGULAR TOL	± 3.0°	DRWN: SKITAZAWA 2020/02/04		PRODUCT CUSTOMER DRAWING			
4 PLACES	± 0.2	CHK'D: HSHIMOYAMA 2020/02/04		DOCUMENT NUMBER			
3 PLACES	± 0.2	APPR: SHOSHIKAWA 2020/02/04		5017861002			
2 PLACES	± 0.25	INITIAL REVISION:		DOC TYPE			
1 PLACE	± 0.3	DRWN: NKURAHATTI 2016/02/26		PSD			
0 PLACES	± 0.3	APPR: TKUSUHARA01 2017/04/28		DOC PART			
DRAFT WHERE APPLICABLE MUST REMAIN WITHIN DIMENSIONS				000			
THIRD ANGLE PROJECTION				REVISION			
DRAWING				D			
SERIES				SHEET NUMBER			
A3-SIZE				1 OF 3			
MATERIAL NUMBER				CUSTOMER			
501786				GENERAL MARKET			
SEE CHART							

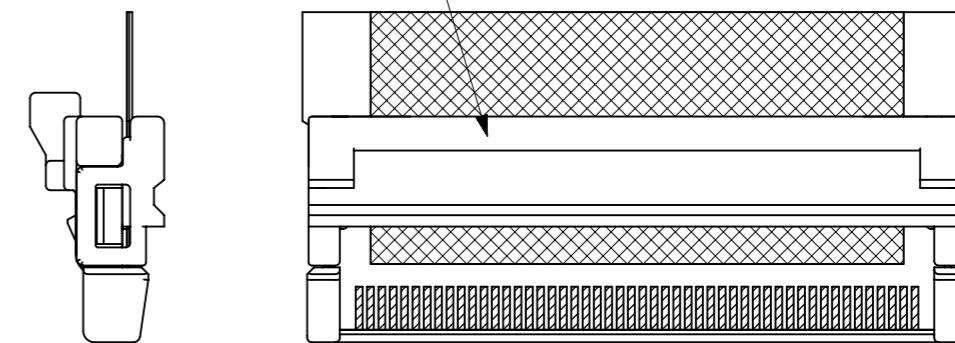


大ラッチジャケット嵌合断面図
 LARGE LATCH JACKET
 MATED CONNECTOR SECTION

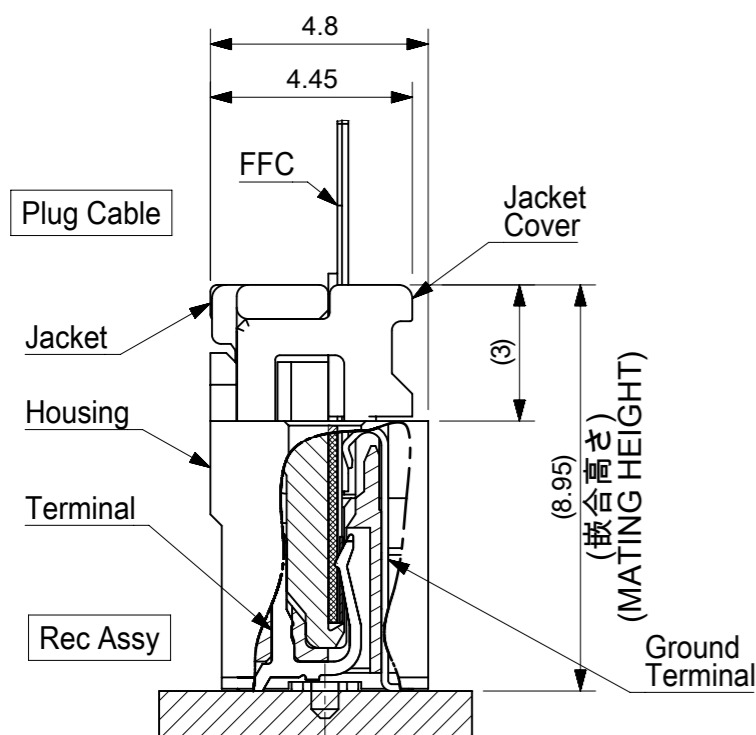


大ラッチジャケット
 LARGE LATCH JACKET

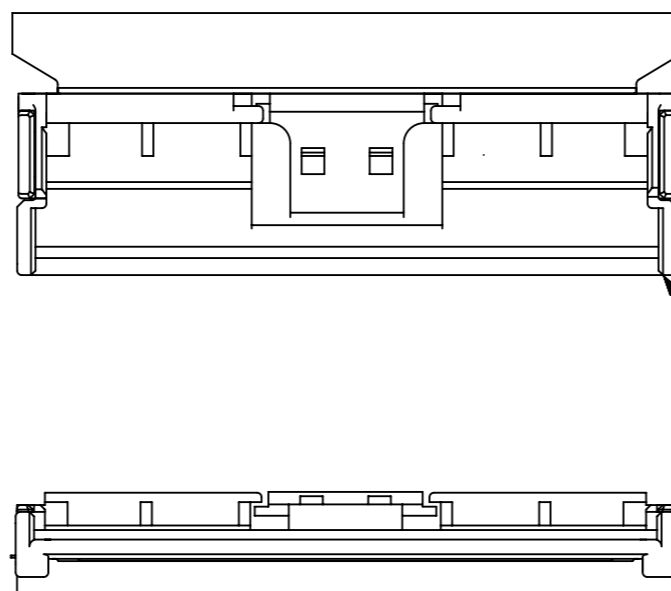
適合ジャケットカバー : 503151**09
 製品詳細寸法はSD-503151-001を参照下さい。
 APPLICABLE JACKET COVER : 503151**09.
 DETAIL DIMENSION IS REFER TO SD-503151-001.



適合大ラッチジャケット : 503150**09
 製品詳細寸法はSD-503150-001を参照下さい。
 APPLICABLE LARGE LATCH JACKET : 503150**09.
 DETAIL DIMENSION IS REFER TO SD-503150-001.

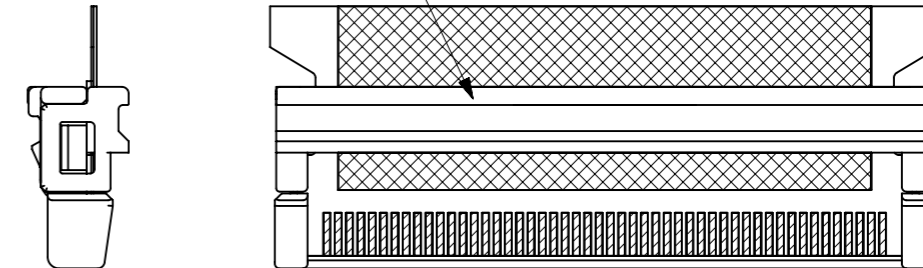


小ラッチジャケット嵌合断面図
 SMALL LATCH JACKET
 MATED CONNECTOR SECTION



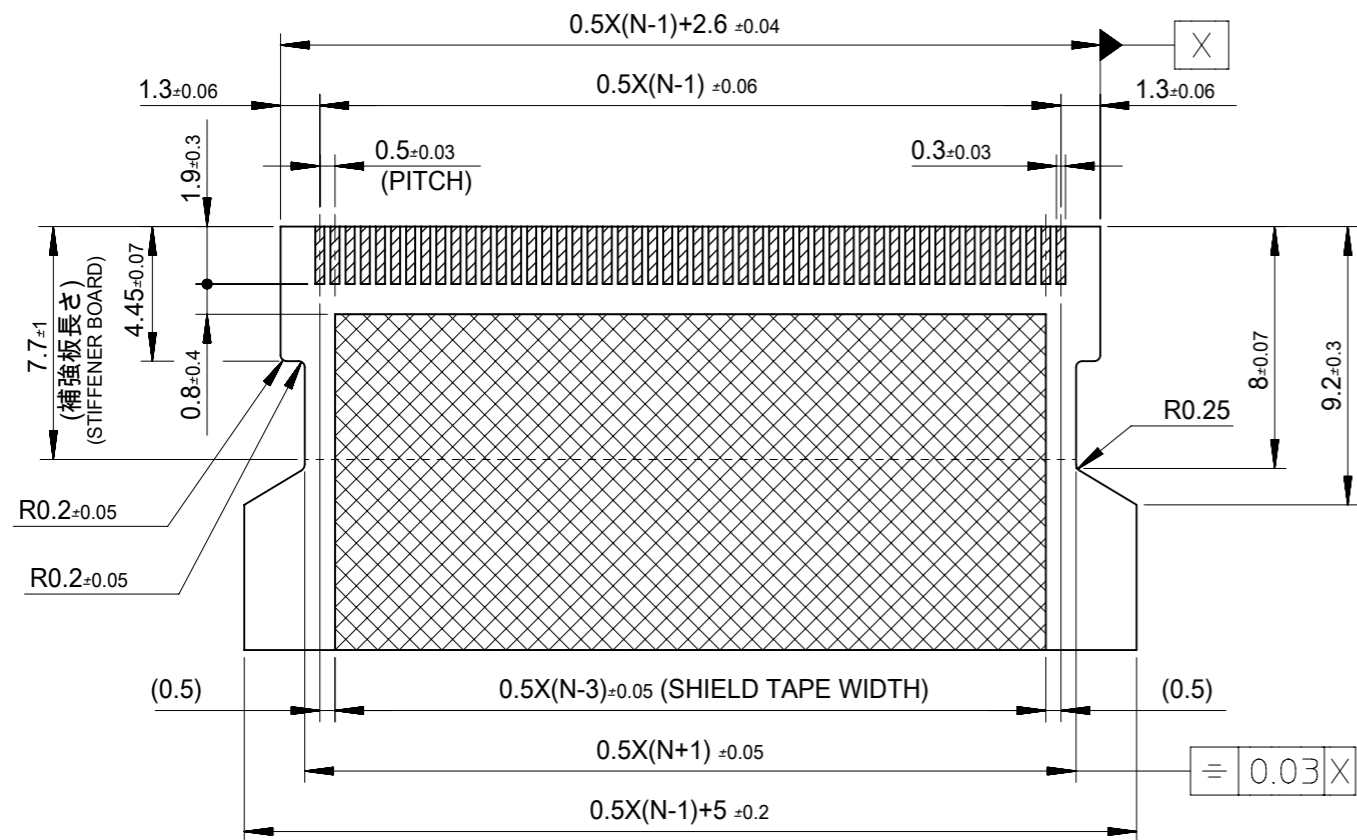
小ラッチジャケット
 SMALL LATCH JACKET

適合ジャケットカバー : 501784**08
 製品詳細寸法はSD-501784-005を参照下さい。
 APPLICABLE JACKET COVER : 501784**08.
 DETAIL DIMENSION IS REFER TO SD-501784-005.



適合小ラッチジャケット : 501783**09
 製品詳細寸法はSD-501783-004を参照下さい。
 APPLICABLE SMALL LATCH JACKET : 501783**09.
 DETAIL DIMENSION IS REFER TO SD-501783-004.

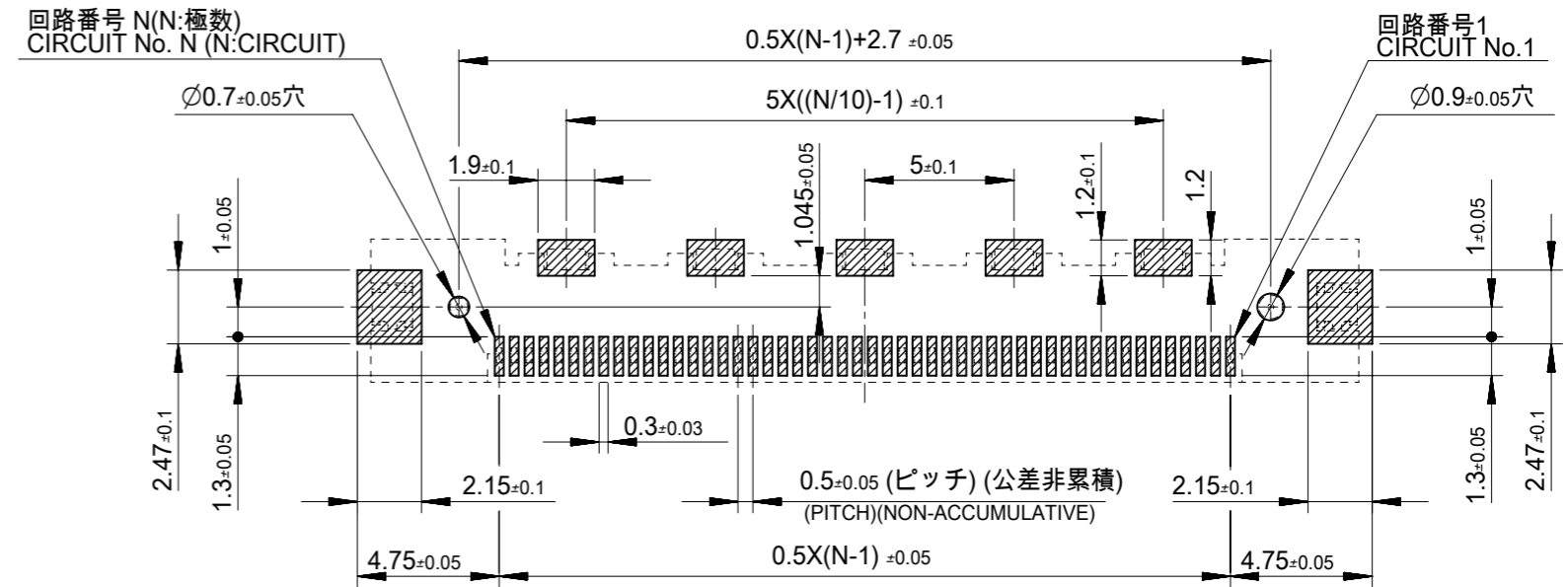
THIS DRAWING CONTAINS INFORMATION THAT IS PROPRIETARY TO MOLEX ELECTRONIC TECHNOLOGIES, LLC AND SHOULD NOT BE USED WITHOUT WRITTEN PERMISSION		CURRENT REV DESC:		molex	
DIMENSION UNITS	SCALE				
mm	1:1			0.5 FFC TO BOARD CONN REC HSG ASSY(ST)	
GENERAL TOLERANCES (UNLESS SPECIFIED)		EC NO: 628512		PRODUCT CUSTOMER DRAWING	
ANGULAR TOL	± 3.0°	DRWN: SKITAZAWA	2020/02/04	DOCUMENT NUMBER	
4 PLACES	± 0.2	CHK'D: HSHIMOYAMA	2020/02/04	5017861002	
3 PLACES	± 0.2	APPR: SHOSHIKAWA	2020/02/04	DOC TYPE	DOC PART
2 PLACES	± 0.25	INITIAL REVISION:		PSD	000
1 PLACE	± 0.3	DRWN: NKURAHATTI	2016/02/26	REVISION	
0 PLACES	± 0.3	APPR: TKUSUHARA01	2017/04/28	D	
DRAFT WHERE APPLICABLE MUST REMAIN WITHIN DIMENSIONS		THIRD ANGLE PROJECTION	DRAWING	SERIES	MATERIAL NUMBER
			A3-SIZE	501786	CUSTOMER
					GENERAL MARKET
					SHEET NUMBER
					2 OF 3



適合FFC推奨寸法
APPLICABLE FFC RECOMENDED DIMENSION

- 仕上がり厚さ THICKNESS
 コネクタ接点部 : 0.3±0.03
 CONNECTOR CONTACT PORTION : 0.3±0.03
 シールド部 : 0.44±0.05
 SHIELD PORTION : 0.44±0.05

- コネクタ接点部
 CONNECTOR CONTACT PORTION
 シールド部
 SHIELD PORTION



参考基板レイアウト
P.C.BOARD PATTERN DIMENSION(REF.)
(マウント面) (MOUNTING SIDE)

- 参考マスク厚 : 120µm
 REFERENCE SCREEN THICKNESS : 120µm
 参考マスク開口率 : 100%
 REFERENCE SCREEN OPEN RATIO : 100%

FFCについて ABOUT FFC

打ち抜き方向は導体側から補強板側を推奨します。
 導体部については軟箔銅35µmまたは50µmを推奨します。
 FFCに規定された定格温度がFFC単体前提である場合が御座います。
 コネクタと組み合わせての実使用において、接着層が劣化するなどの信頼性を満足できないケースを回避するため、
 実機での評価/確認をお願いいたします。

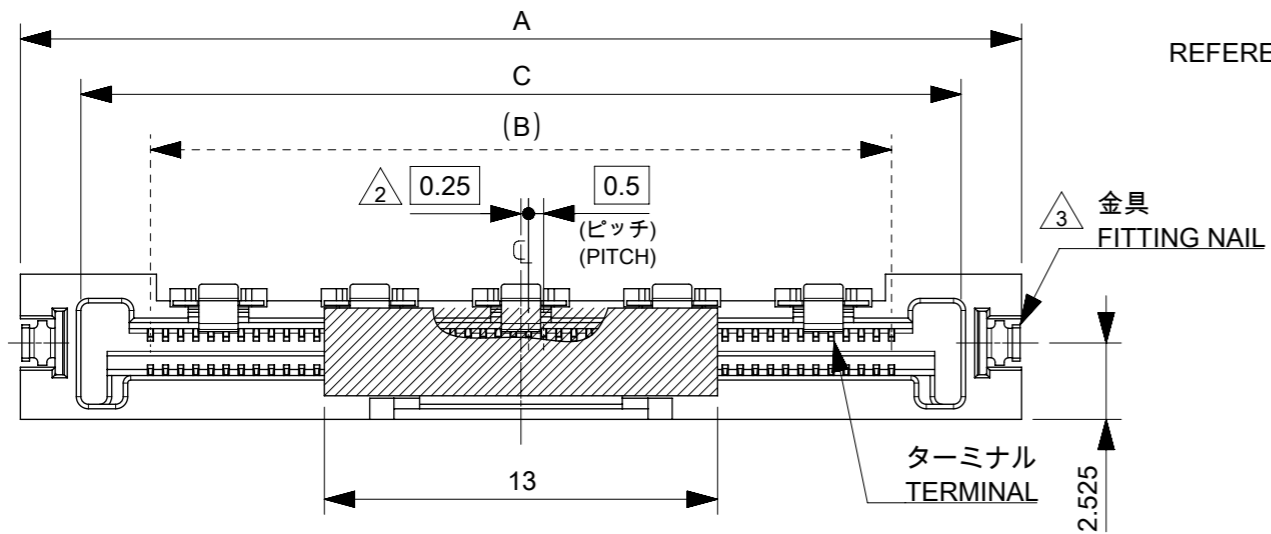
RECOMMENDED PUNCHING DIRECTION : FROM CONDUCTOR SIDE TO STIFFENER SIDE

RECOMMENDED CONDUCTOR SPEC : SOFT COPPER FOIL

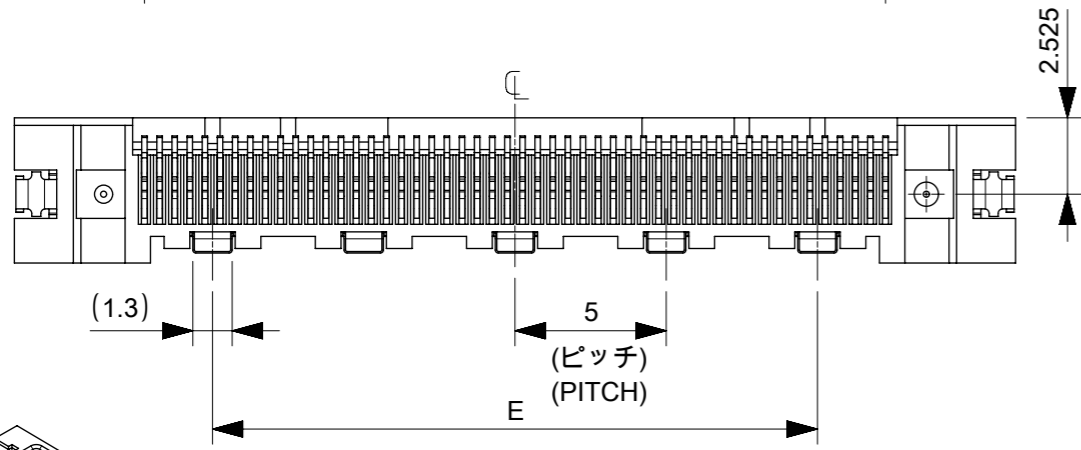
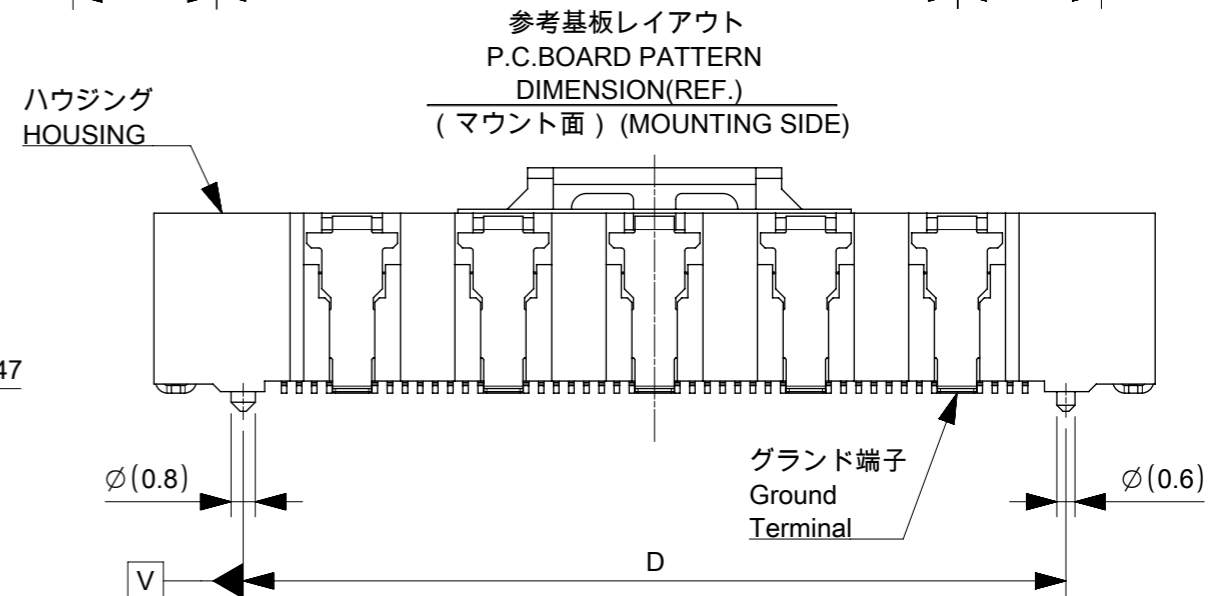
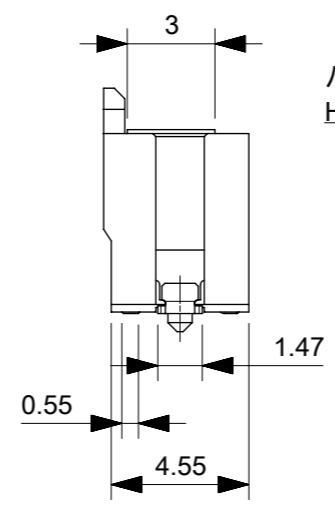
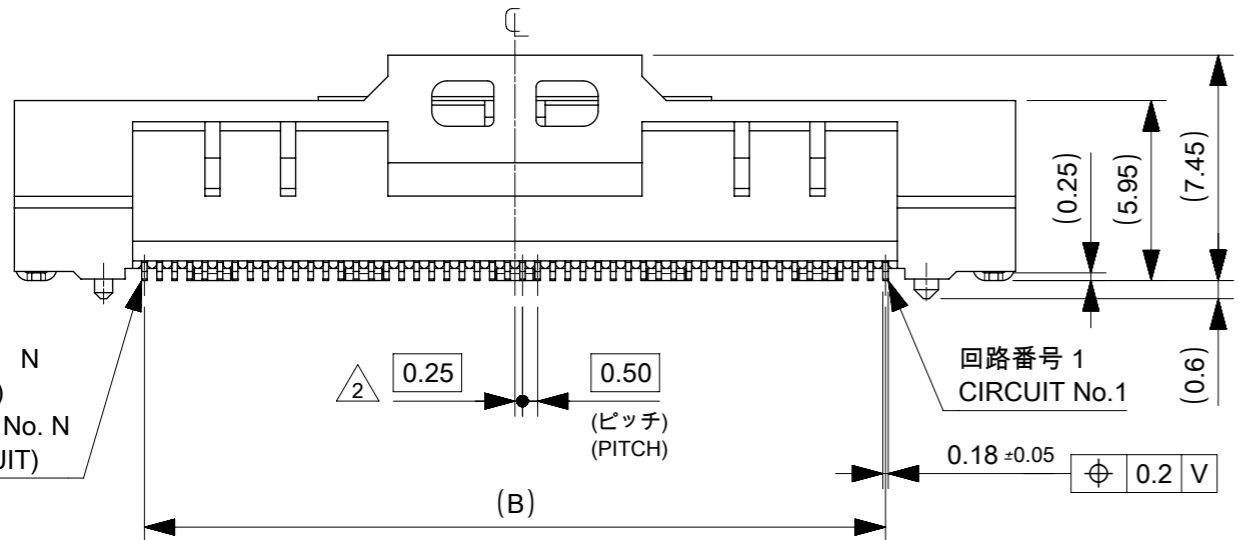
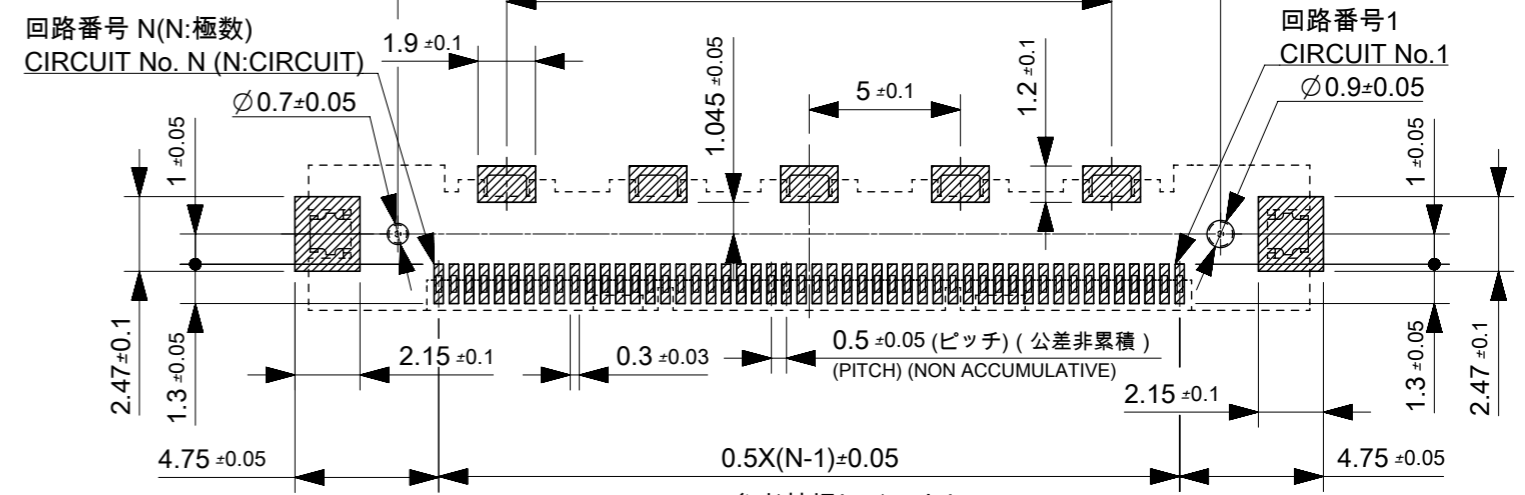
RECOMMENDED CONDUCTOR THICKNESS : 35 MICROMETER OR 50 MICROMETER

NOTE : WHEN ACTUALLY USING IT WITH CONNECTOR, PLEASE DO THE EVALUATION AND THE CONFIRMATION WITH AN ACTUAL EQUIPMENT TO EVADE THE CASE WHERE RELIABILITY CANNOT BE FILLED (THE ADHESIVE LINE OF FFC IS DETERIORATED ETC.)

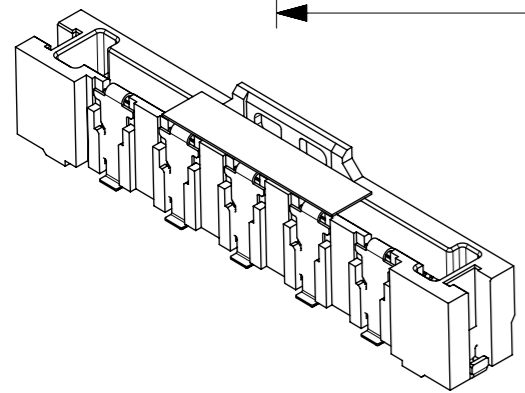
THIS DRAWING CONTAINS INFORMATION THAT IS PROPRIETARY TO MOLEX ELECTRONIC TECHNOLOGIES, LLC AND SHOULD NOT BE USED WITHOUT WRITTEN PERMISSION									
DIMENSION UNITS		SCALE		CURRENT REV DESC:					
mm		1:1							
GENERAL TOLERANCES (UNLESS SPECIFIED)				EC NO: 628512				0.5 FFC TO BOARD CONN REC HSG ASSY(ST)	
ANGULAR TOL ± 3.0°				DRWN: SKITAZAWA 2020/02/04					
4 PLACES ± 0.2				CHK'D: HSHIMOYAMA 2020/02/04					
3 PLACES ± 0.2				APPR: SHOSHIKAWA 2020/02/04				PRODUCT CUSTOMER DRAWING	
2 PLACES ± 0.25				INITIAL REVISION:					
1 PLACE ± 0.3				DRWN: NKURAHATTI 2016/02/26				DOCUMENT NUMBER 5017861002	
0 PLACES ± 0.3				APPR: TKUSUHARA01 2017/04/28					
DRAFT WHERE APPLICABLE MUST REMAIN WITHIN DIMENSIONS		THIRD ANGLE PROJECTION		DRAWING		SERIES		SHEET NUMBER	
				A3-SIZE		501786		3 OF 3	
DOCUMENT STATUS		RELEASE DATE		MATERIAL NUMBER		CUSTOMER		GENERAL MARKET	
P1		2020/02/04 13:34:56				GENERAL MARKET			



参考マスク厚 : 120 μ m
 REFERENCE SCREEN THICKNESS : 120 μ m
 参考マスク開口率 : 100%
 REFERENCE SCREEN OPEN RATIO : 100%



5	20	27.2	29.1	24.5	33.1	5017865091	50					
QTY OF GROUND TERM						E	D	C	B	A	EMBOSSED TAPE PKG	極数 CIRCUIT
ORDER No. オーダー番号											501786**31	



THIS DRAWING CONTAINS INFORMATION THAT IS PROPRIETARY TO MOLEX ELECTRONIC TECHNOLOGIES, LLC AND SHOULD NOT BE USED WITHOUT WRITTEN PERMISSION

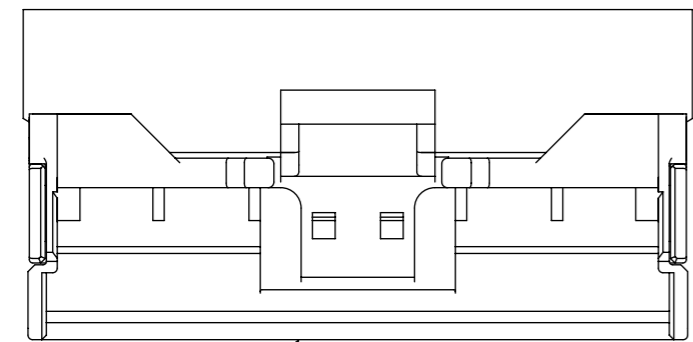
REVISED	2017/12/20	DRWN: YCHEN128	2017/12/22	CHK'D: KTAKAHASHI	2017/12/25	APPR: NUKITA	GENERAL TOLERANCES (UNLESS SPECIFIED)	DIMENSION UNITS mm	SCALE 4:1
	4 PLACES	± 0.2	ANGULAR TOL ± 3.0 °		DRWN BY NKURAHATTI	DATE 2016/03/21			
	3 PLACES	± 0.2			CHK'D BY YKOBAYASHI02	DATE 2017/04/28			
	2 PLACES	± 0.25			APPR BY TKUSUHARA01	DATE 2017/04/28			
	1 PLACE	± 0.3			DRAWING SIZE A3				
DRAFT WHERE APPLICABLE MUST REMAIN WITHIN DIMENSIONS				THIRD ANGLE PROJECTION					

molex

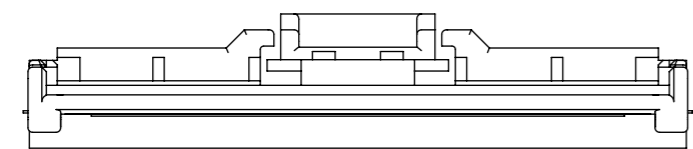
0.5 FFC TO BOARD CONN REC HSG ASSY(ST)

PRODUCT CUSTOMER DRAWING

SERIES 501786	MATERIAL NUMBER SEE CHART	CUSTOMER GENERAL MARKET
DOCUMENT NUMBER 5017861002	DOC TYPE PSD	DOC PART 003
SHEET NUMBER 1 OF 2		



4 ジャケット
JACKET



注記
NOTE

1. 使用材料 MATERIAL
ハウジング

: 液晶ポリマー (LCP), ガラス充填,
ULV94-0 色: 黒色
LIQUID CRYSTAL POLYMER(LCP),
GLASS FILLED, UL94V-0 COLOR: BLACK

ターミナル
TERMINAL

: 燐青銅 (t = 0.18)
PHOSPHOR BRONZE (t = 0.18)
コンタクト部: 部分金めっき (0.1µm 以上)
テール部: 部分金めっき

メッキ
PLATING

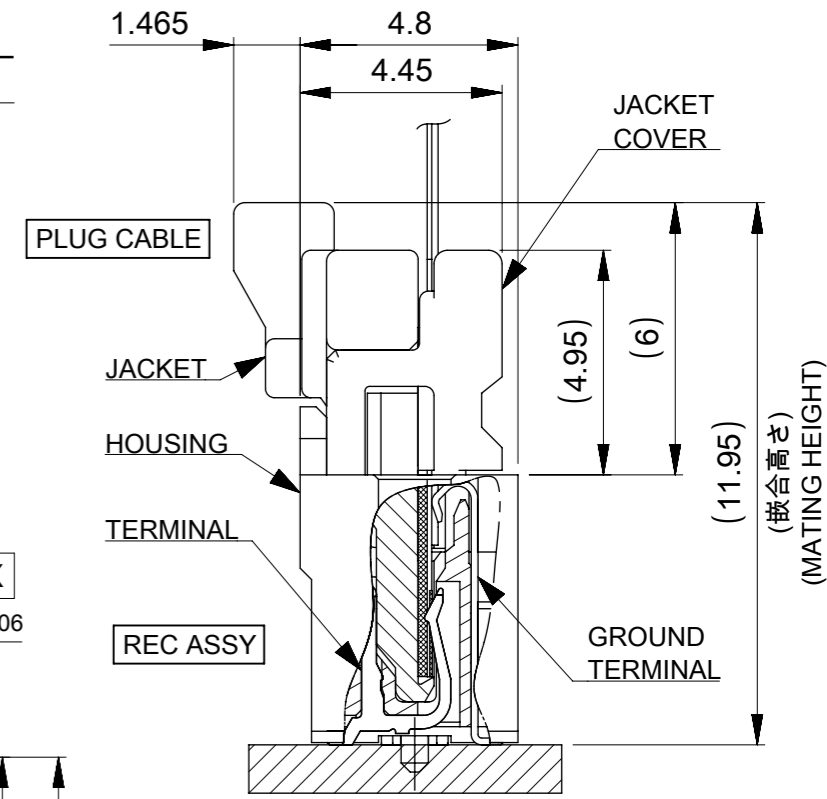
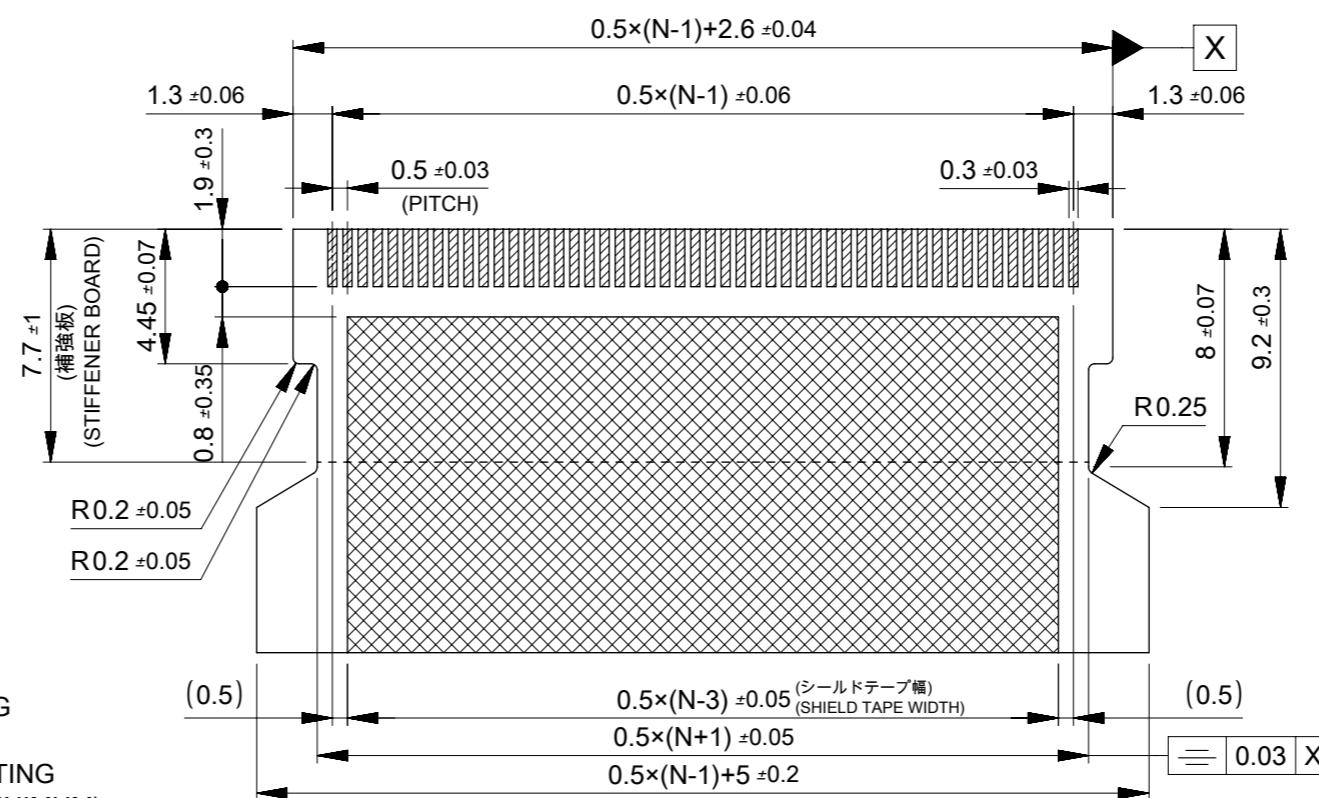
下地: ニッケルめっき (1.0µm 以上)
CONTACT AREA: SEPARATED GOLD PLATING
(0.1µm MINIMUM)
SOLDER TAIL AREA: SEPARATED GOLD PLATING
UNDER PLATING: NICKEL OVERALL (1.0µm MINIMUM)

金具
FITTING NAIL

: 燐青銅 (t = 0.25)
ニッケル下地 錫メッキ (1.0µm 以上)
PHOSPHOR BRONZE (t = 0.25)
TIN OVER NICKEL PLATING (1.0µm MINIMUM)

グラウンド端子
GROUND TERMINAL

: 燐青銅 (t = 0.15)
ニッケル下地 錫メッキ (1.0µm 以上)
PHOSPHOR BRONZE (t = 0.15)
TIN OVER NICKEL PLATING (1.0µm MINIMUM)



6.FFCについて
ABOUT FFC
 打ち抜き方向は導体側から補強板側を推奨します。
 導体部については軟箔銅35µm また50µm を推奨します。
 RECOMMENDED PUNCHING DIRECTION:
 FROM CONDUCTOR SIDE TO STIFFENER SIDE
 RECOMMENDED CONDUCTOR SPEC:
 SOFT COPPER FOIL
 RECOMMENDED CONDUCTOR THICKNESS:
 35MICROMETER OR 50MICROMETER

適合する金めっき FFC 推奨寸法
 APPLICABLE FFC OF GOLD PLATING
 RECOMENDED DIMENSION
 (仕上がり厚さ: コネクタ接点部 0.3±0.03)
 シールド部 0.44±0.05)
 (THICKNESS: CONTACT AREA 0.3±0.03)
 SHIELD AREA 0.44±0.05)

コネクタ接点部 CONTACT AREA
 シールド部 SHIELD AREA

- 2 N = 偶数に適用 (N : 極数)
APPLY FOR N=EVEN(N:CIRCUIT)
- 3 パターン剥離止め用金具
FITTING NAIL FOR PREVENTION OF PEELING
OF P.C.B PATTERN.
- 4 適合ジャケット: 5031505009
製品詳細寸法は 5031505009 の図面を参照下さい。
APPLICABLE JACKET: 5031505009.
RE DETAILED DIMENSION, SEE DRAWING OF 5031505009.
- 5 適合ジャケットカバー: 5031515009
製品詳細寸法は 5031515009 の図面を参照下さい。
APPLICABLE JACKET: 5031515009.
RE DETAILED DIMENSION, SEE DRAWING OF 5031515009.

THIS DRAWING CONTAINS INFORMATION THAT IS PROPRIETARY TO MOLEX ELECTRONIC TECHNOLOGIES, LLC AND SHOULD NOT BE USED WITHOUT WRITTEN PERMISSION

REVISED	2017/12/20	GENERAL TOLERANCES (UNLESS SPECIFIED)	DIMENSION UNITS	SCALE	
	2017/12/22		mm	±±	
	2017/12/25		DRWN BY	DATE	
	EC NO: 169864		DRWN: YCHEN128	CHK'D: KTAKAHASHI	
4 PLACES ± 0.2 3 PLACES ± 0.2 2 PLACES ± 0.25 1 PLACE ± 0.3 0 PLACES ± 0.3			ANGULAR TOL ± 3.0 °		0.5 FFC TO BOARD CONN REC HSG ASSY(ST) PRODUCT CUSTOMER DRAWING
DRAFT WHERE APPLICABLE MUST REMAIN WITHIN DIMENSIONS			DRAWING SIZE: A3 THIRD ANGLE PROJECTION		
RELEASE STATUS: P1 RELEASE DATE: 25.12.2017 07:36:43			SERIES: 501786 MATERIAL NUMBER: SEE CHART CUSTOMER: GENERAL MARKET		DOCUMENT NUMBER: 5017861002 DOC TYPE: PSD DOC PART: 003 SHEET NUMBER: 2 OF 2